


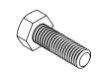













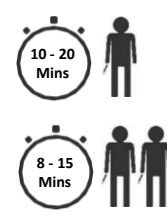
# VECTA BAR™ Fitting Instructions

2 Bar Roof Kit – Citroen Dispatch, Peugeot Expert & Toyota ProAce (L2H1) [2016 onwards], Vauxhall Vivaro L1 [2019 onwards]

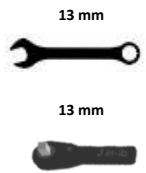
2 Bar Kit: JC2VFK			
<b>Roof Bar</b>		<b>QTY</b> 2	<b>Checked</b> <input type="checkbox"/> <small>Total Weight: 3.4Kg</small>
<b>Foot Pack Kit</b>			
<b>Item</b>		<b>QTY</b>	
04 – NS1		1	<input type="checkbox"/>
04 – OS1		1	<input type="checkbox"/>
04 – NS5		1	<input type="checkbox"/>
04 – OS5		1	<input type="checkbox"/>
Rubber 4		4	<input type="checkbox"/>
M8 x 20		4	<input type="checkbox"/>
M8 spring w		4	<input type="checkbox"/>
M8 x 25		4	<input type="checkbox"/>
M8 Bracket 35mm		4	<input type="checkbox"/>
<b>FOOT PACK COMPLETED BY:</b> _____			
<small>Foot Pack Weight: 1.205Kg</small>			

Top Hat Kit			
<b>Item per bar</b>		<b>QTY per bar</b>	<b>Number of TH Kits per bar:</b> <input type="checkbox"/>
Top Hat 1		2	
M8 x 80		2	
M8 x 20		4	
M8		2	
<b>TH KIT COMPLETED BY:</b> _____			
<small>TH Kit Weight: 0.29 Kg (per bar)</small>			

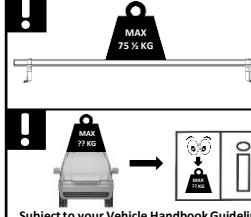
Load Stop Kit			
<b>Item</b>		<b>QTY</b>	<b>Checked</b>
Load stop		4	<input type="checkbox"/>
Crown		4	<input type="checkbox"/>
M6 x 40		4	<input type="checkbox"/>
Spanner		1	<input type="checkbox"/>
<b>LOAD STOP KIT COMPLETED BY:</b> _____			
<small>LS Kit Weight: 0.38Kg</small>			



All times are approximate from Hubb Systems testing and kit dependant



13 mm  
13 mm





MAX 75 1/2 KG  
MAX 27 KG  
Subject to your Vehicle Handbook Guidelines

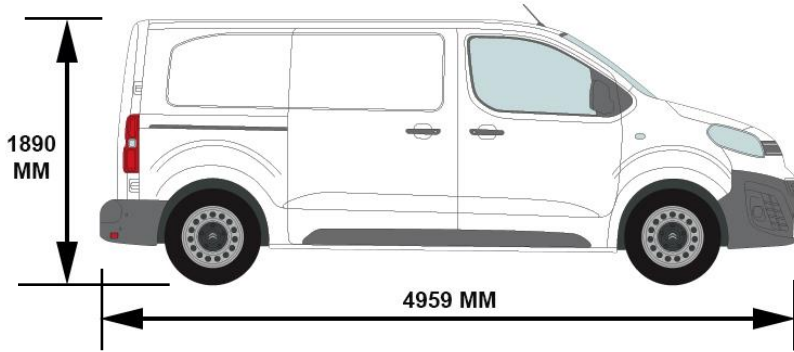


Please follow these instructions carefully and thoroughly to ensure that your product functions correctly

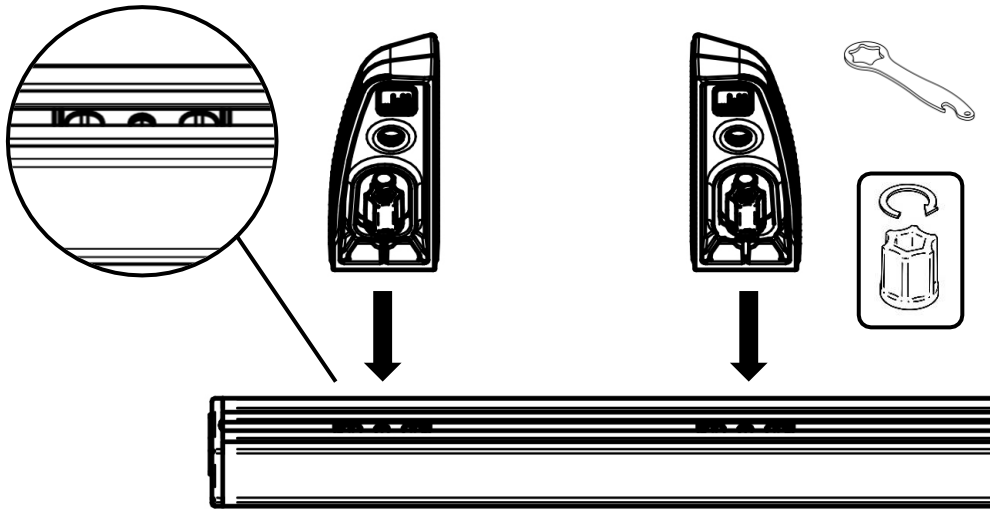
DATE PACKED: \_\_\_\_\_

ORDER PACKED BY: \_\_\_\_\_

Vehicle:	Wheel Base:	Roof Height:	Rear Door:	
Citroen Dispatch: 2016 – present	M/Standard/Medium (L2)	Low (H1)	Twin	
Peugeot Expert: 2016 – present				
Toyota ProAce 2016 – present				
Vauxhall Vivaro 2019 – Present	L1	H1	Twin	<b>TOYOTA</b>





**Note:** This product fits the vehicle(s) shown



**!** Check leg numbers 04-XX

1555mm

=

**2.5 KG  
Per Bar**

Note – Diagram shows the distance between centre points of Vecta Bar's T – Track specific to van and bar option

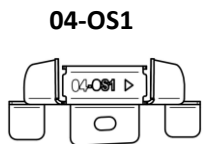
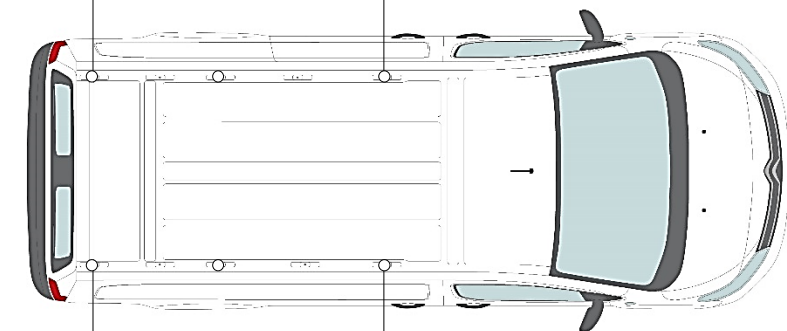
1



04-NS1



04-NS5



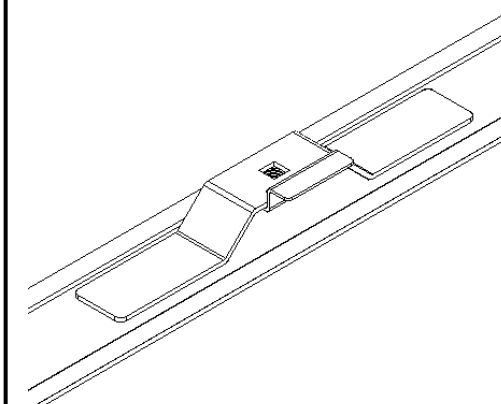
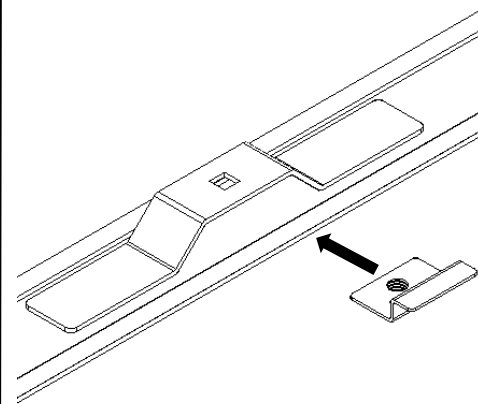
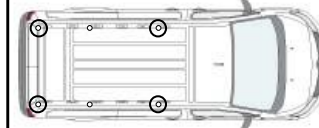
04-OS1



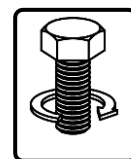
04-OS5

2

Check leg numbers **04-XX**

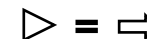
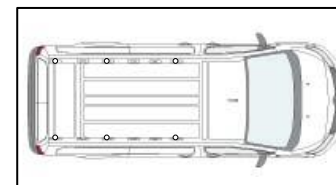
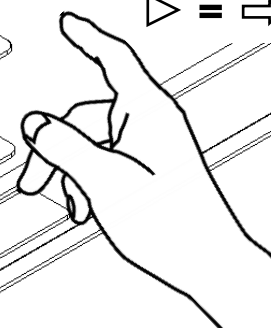
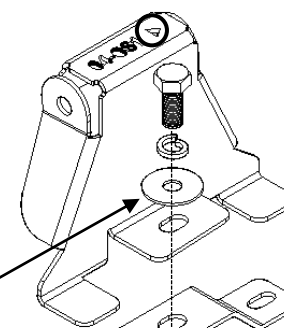


3



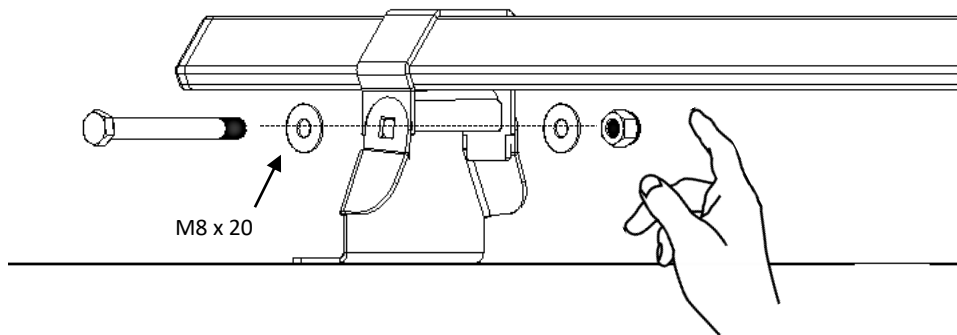
M8 x 25

Rubber

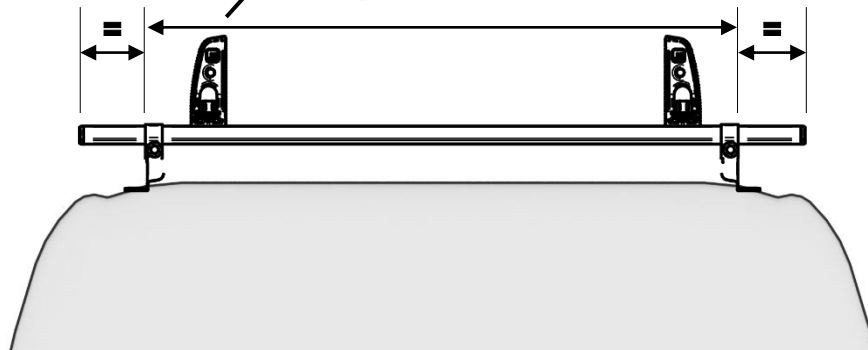
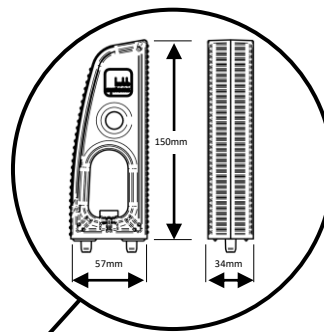


4

13mm (M8)



5



6



13mm (M8)



13mm (M8)

