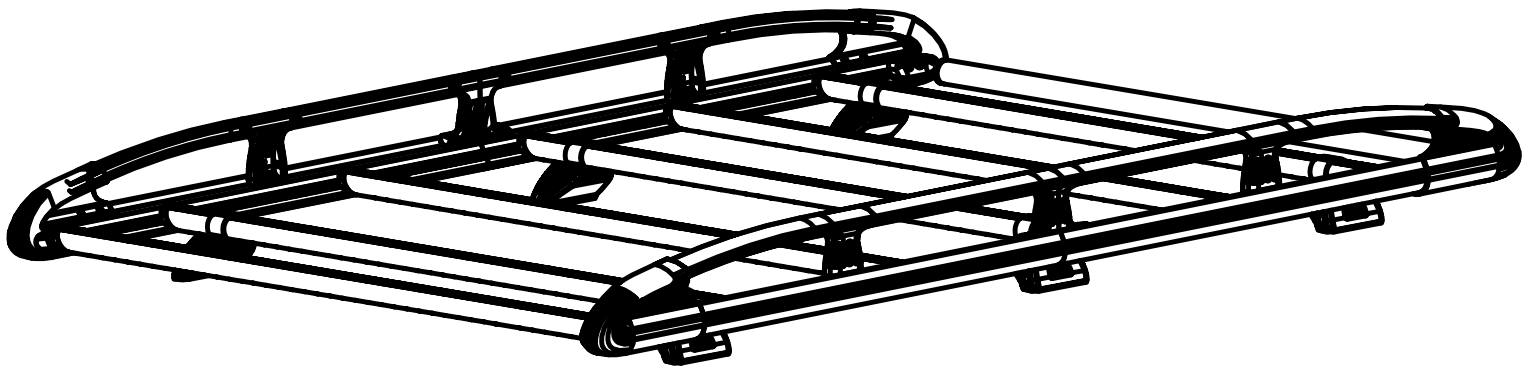


<b>ISSUE:</b>	<b>DRAWN BY:</b>	<b>CHECKED BY:</b>	<b>CRF No:</b>	<b>DATE:</b>	<b>DESCRIPTION:</b>
a	MK	KB	2754	24/06/22	First Issue
b	MK	KB	2833	11/11/22	Updated instructions for track nut positions, clicking of side frame onto bars and where to strap onto rack.
c	YZL	KB	3034	11/09/23	Updated instructions to include new black Kamm rack part codes. Changed torque value from 10Nm to 4Nm in step 10.
d					
e					
f					
g					
h					
i					
j					
k					
l					
m					

# JC3KR

# KammRack

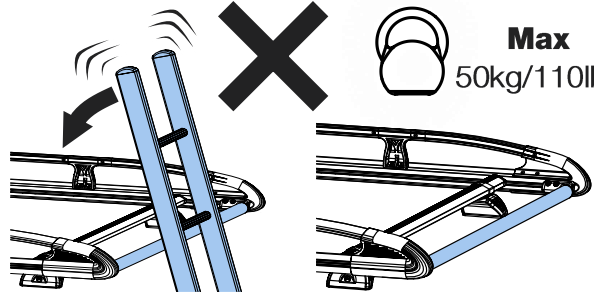
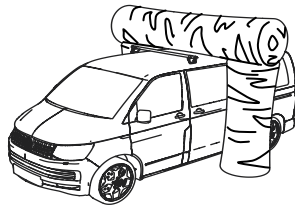
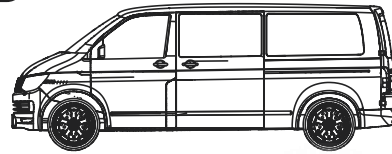
## Instructions



**CITY CRASH** (✓)  
According to ISO/ PAS 11154:2006

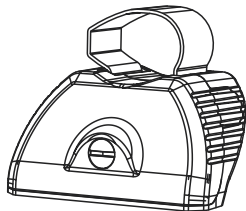
**JC3KR:**

**CITROEN** Jumper/Dispatch, 2016 –  
**PEUGEOT** Expert, 2016 –  
**TOYOTA** Proace, 2016 –  
**VAUXHALL** Vivaro, 2019-

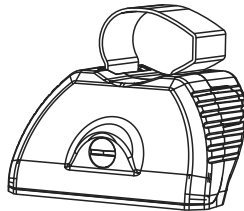


**Max**  
50kg/110lbs

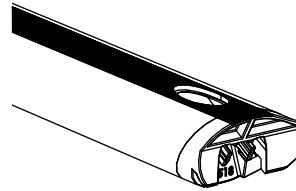
**KammRack**



**SA397U x 3**



**SA398U x 3**



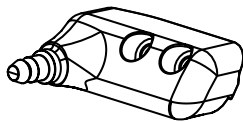
**SA429/  
SA467**



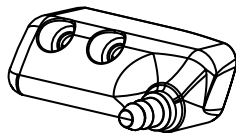
**C04 x 6**  
\*optional upgrade\*

**LHS x 2**

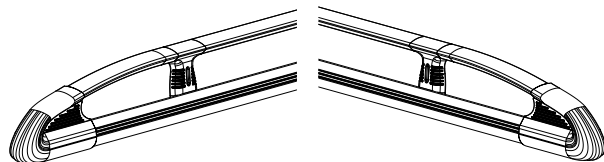
**RHS x 2**



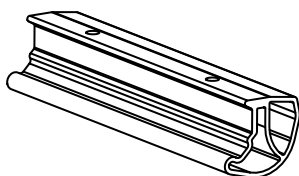
**PS519 x 1**



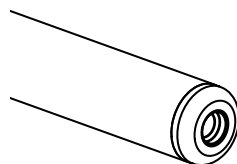
**PS520 x 1**



**ASF x 1**

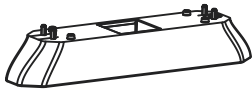


**EXT15-02 x 2**

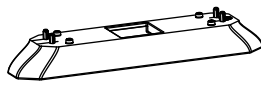


**SA437 x 1**

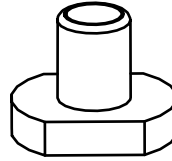
## Fitting Kit



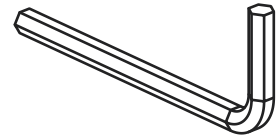
**PS252 x 4**



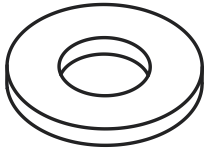
**PS253 x 2**



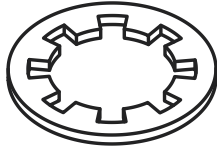
**FN085 x 18**



**FT01 x 1**



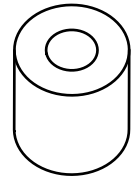
**FW001 (M6) x 6**



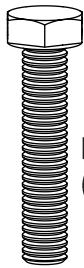
**FW008 (M6) x 6**



**FN020 (M6) x 6**



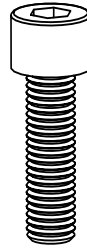
**TP153 x 4**



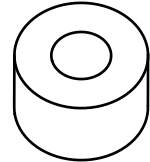
**FS040  
(M6 x 35) x 4**



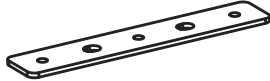
**FS039  
(M6 x 30)  
x 2**



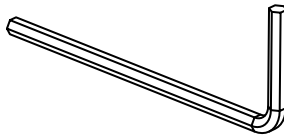
**FS059  
(M8 x 25)  
x 18**



**TP154 x 2**

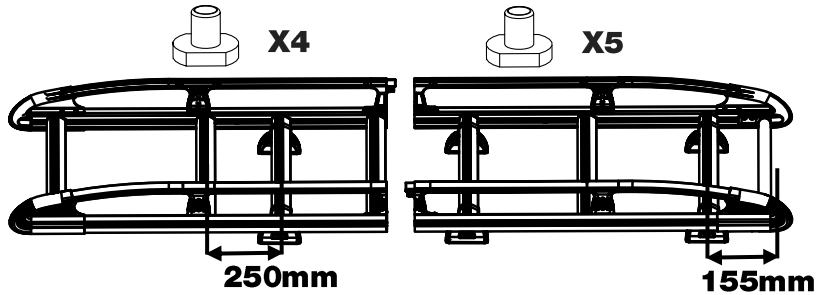


**PS210 x 6**

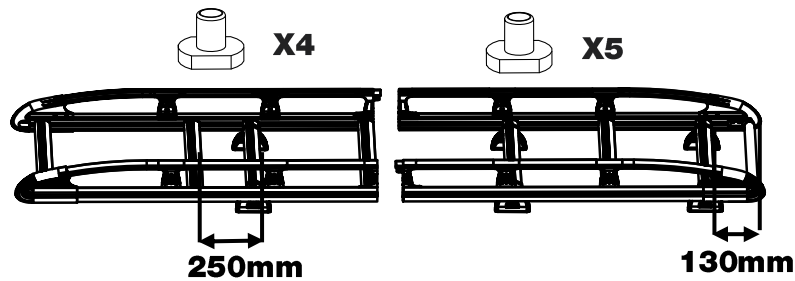


**FT05 x 1**

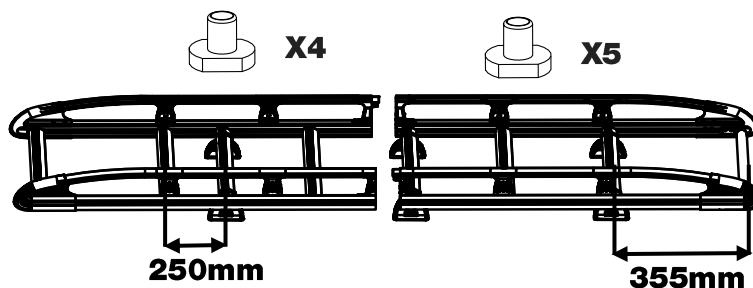
**K662/B662- Jumpy/Dispatch/Proace/Expert 2016-, Opel Vivaro 2019-, Vauxhall Vivaro 2019-**



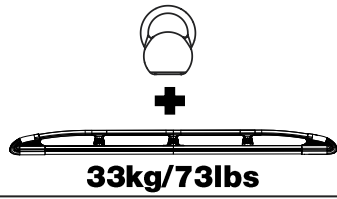
**K664/B664- Jumpy/Dispatch/Proace/Expert 2016-, Opel Vivaro 2019-, Vauxhall Vivaro 2019-**



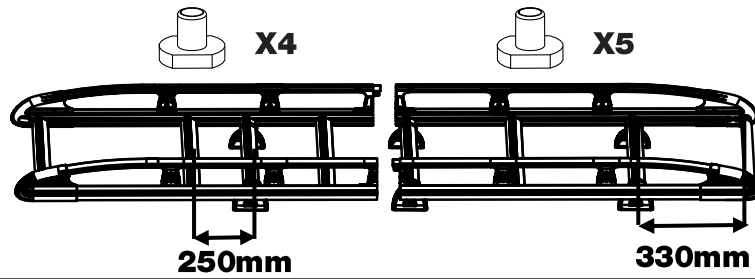
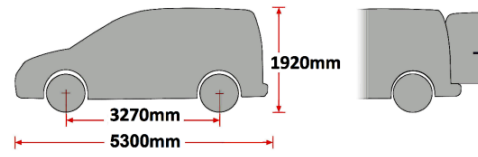
**K661/B661- Jumpy/Dispatch/Proace/Expert 2016-, Opel Vivaro 2019-, Vauxhall Vivaro 2019-**



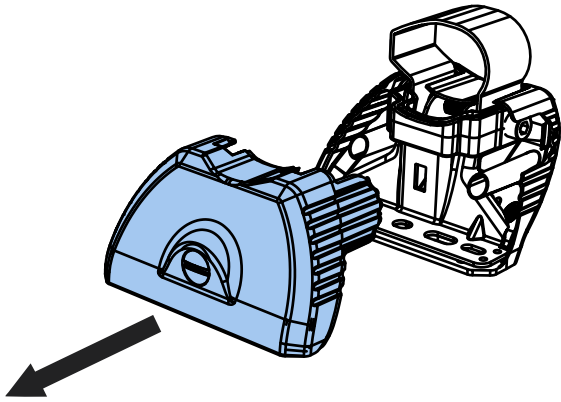
# K663/B663- Jumpy/Dispatch/Expert 2016-, Opel Vivaro 2019-, Vauxhall Vivaro 2019-



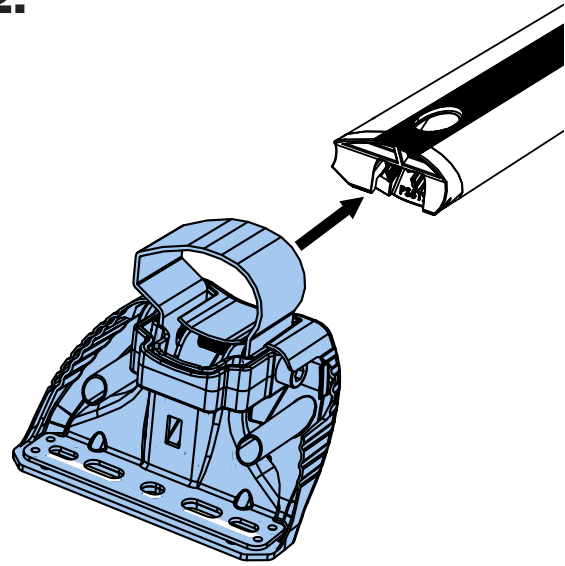
**150kg  
Max**



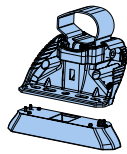
1.



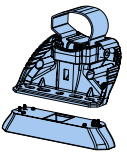
2.



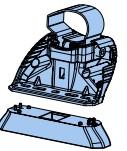
3.



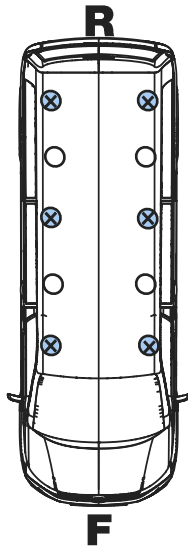
SA397U  
PS252



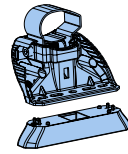
SA397U  
PS253



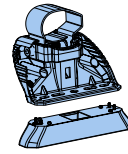
SA397U  
PS252



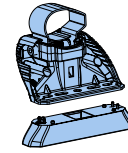
SA398U  
PS252



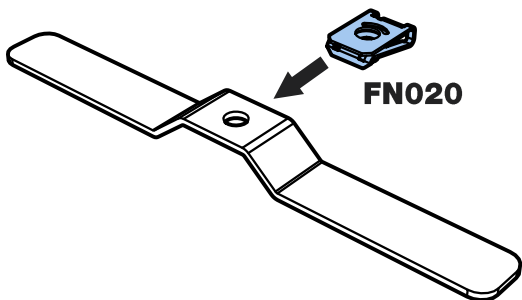
SA398U  
PS253



SA398U  
PS252

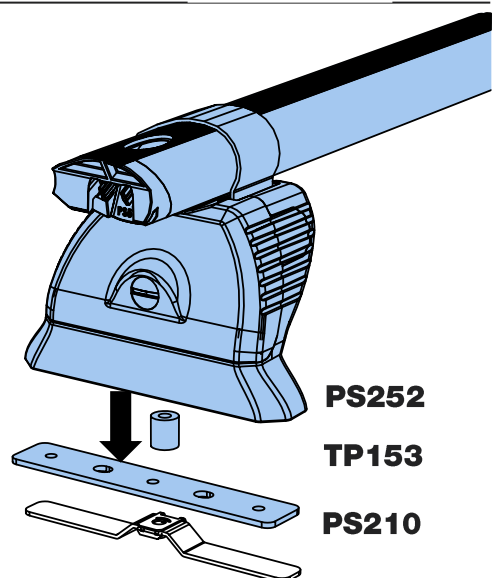


4.



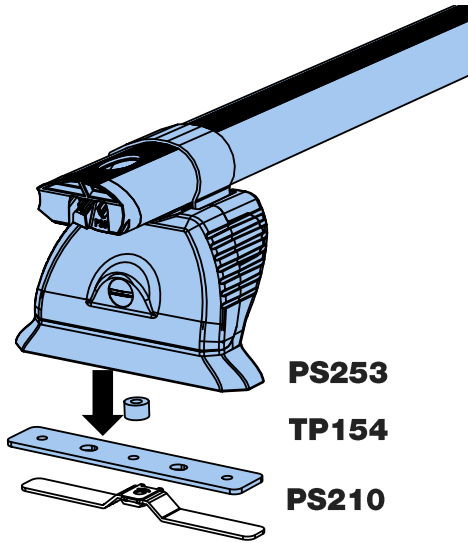
FN020

5.

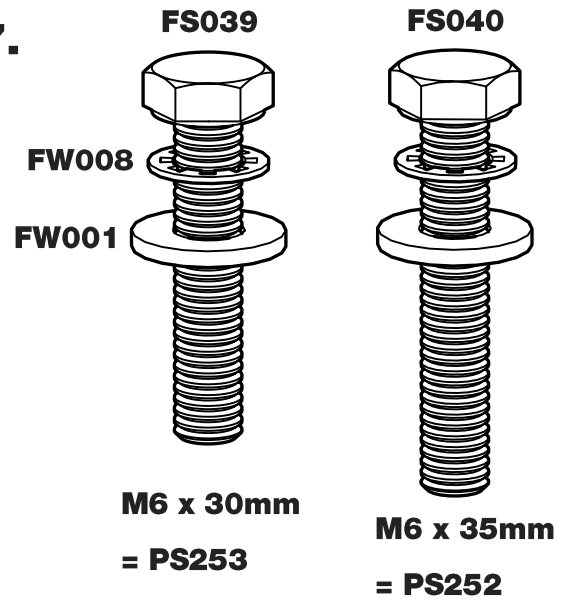


PS252  
TP153  
PS210

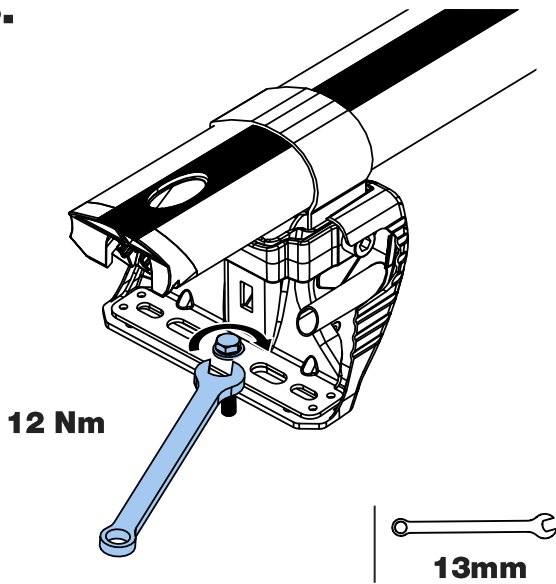
6.



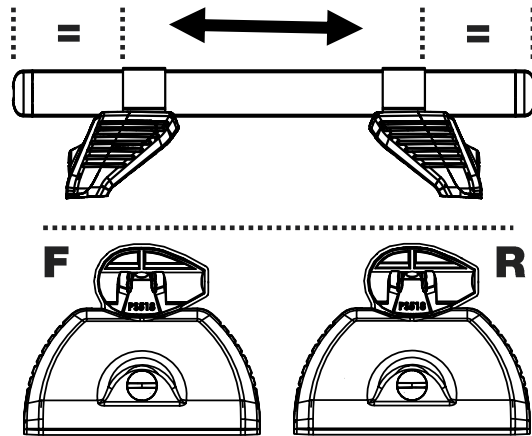
7.



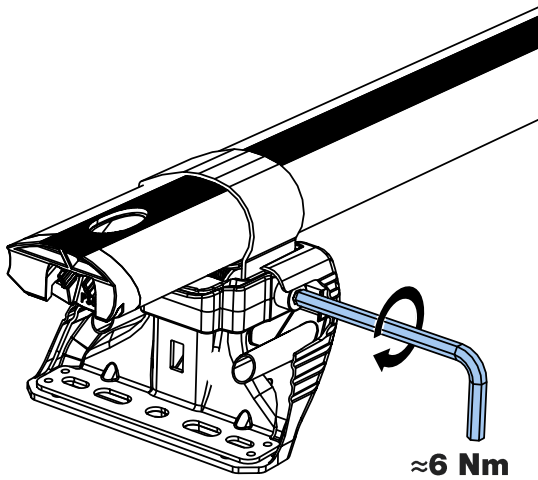
8.



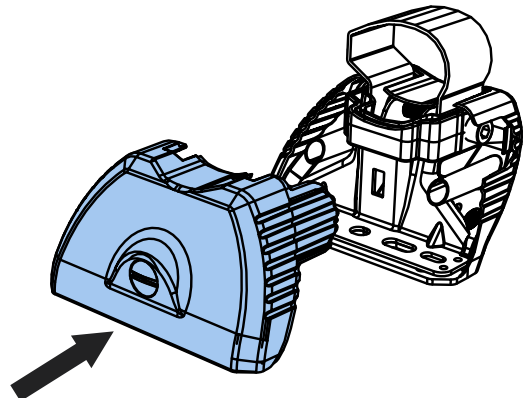
9.



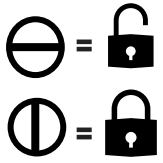
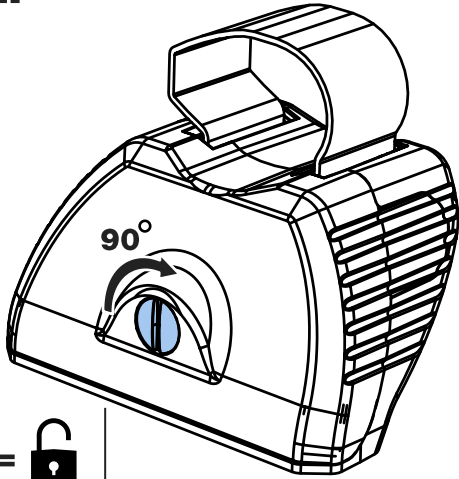
10.



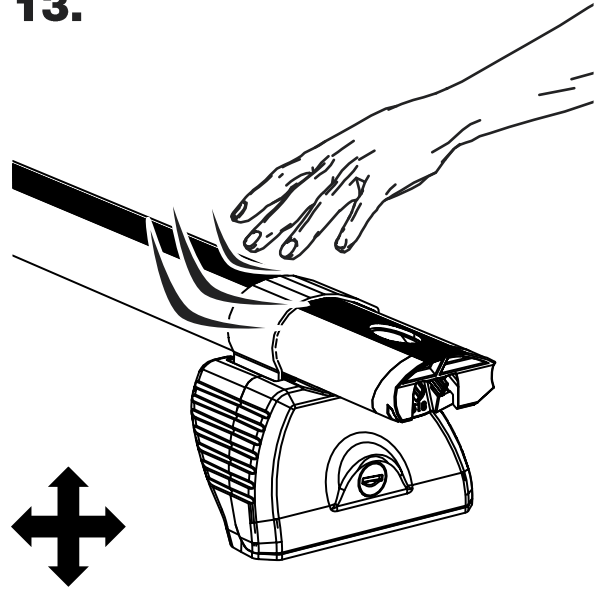
11.



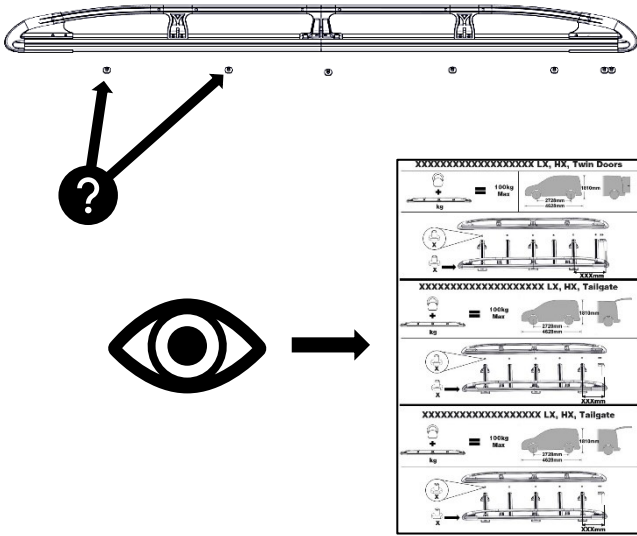
12.



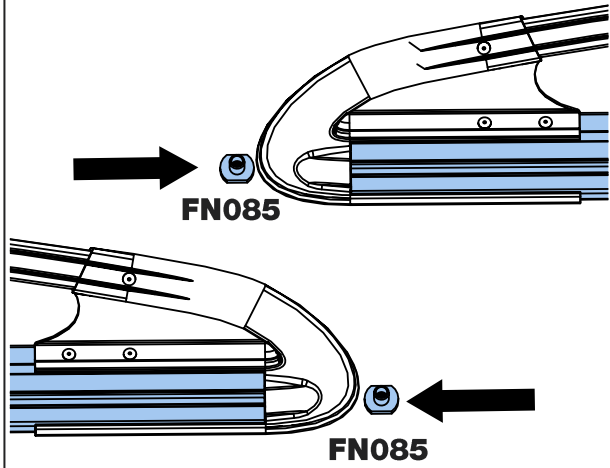
13.



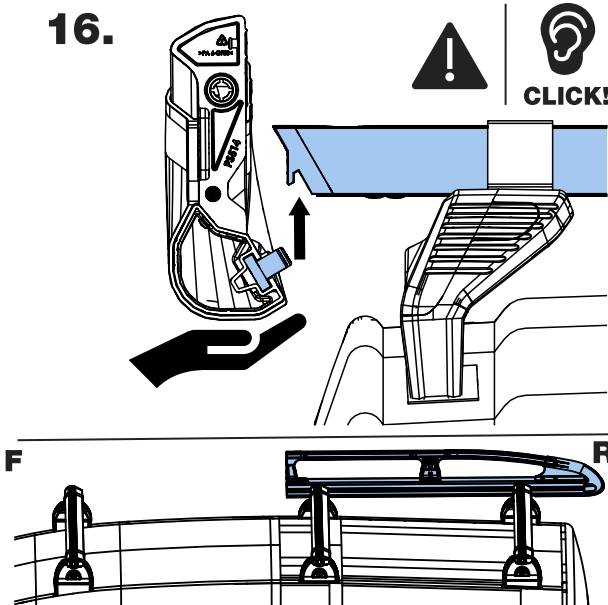
14.



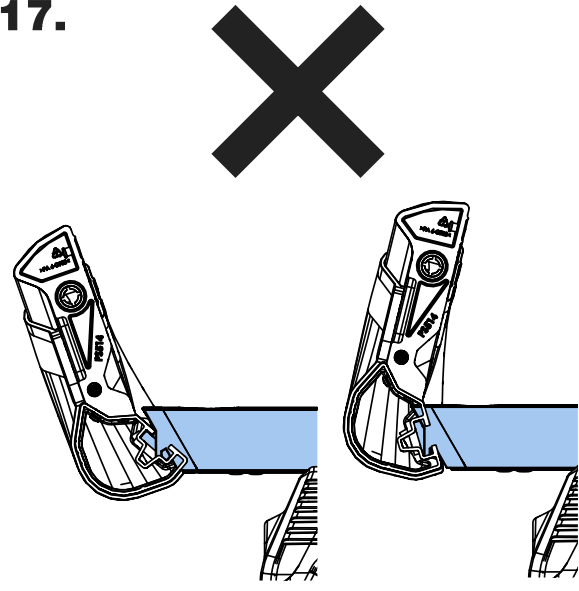
15.



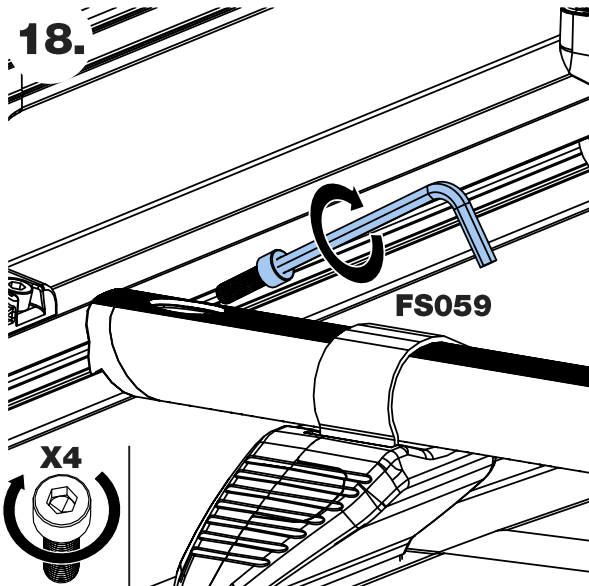
16.



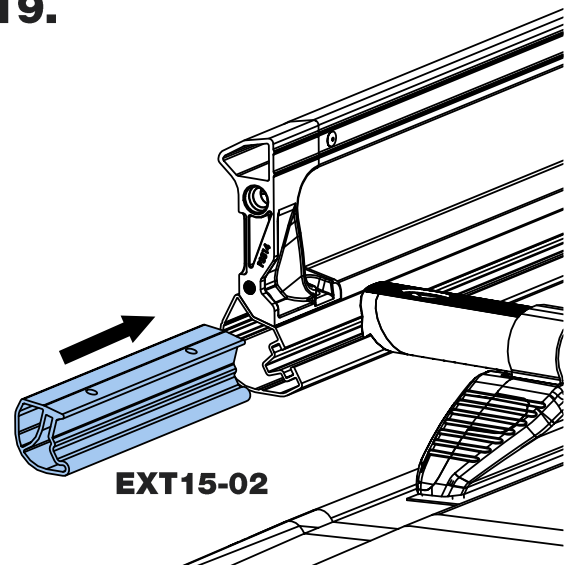
17.



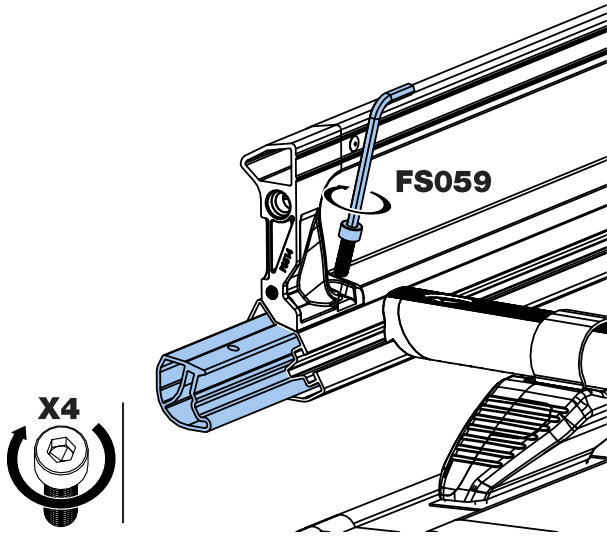
18.



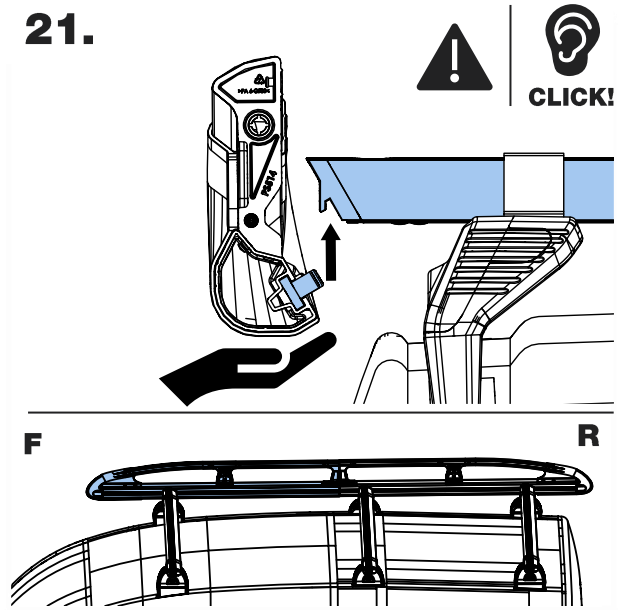
19.



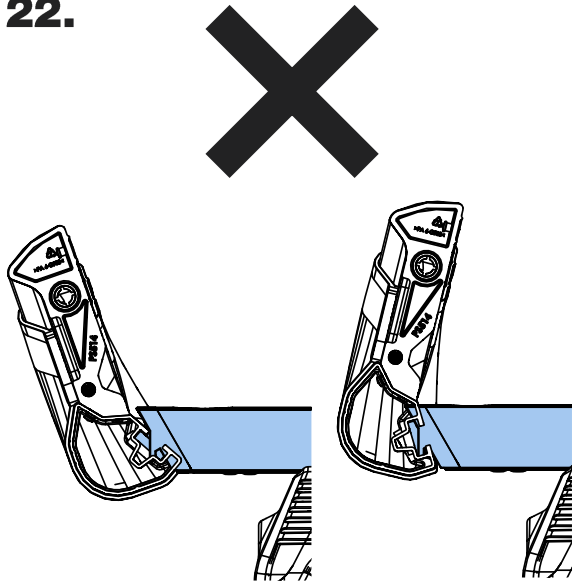
20.



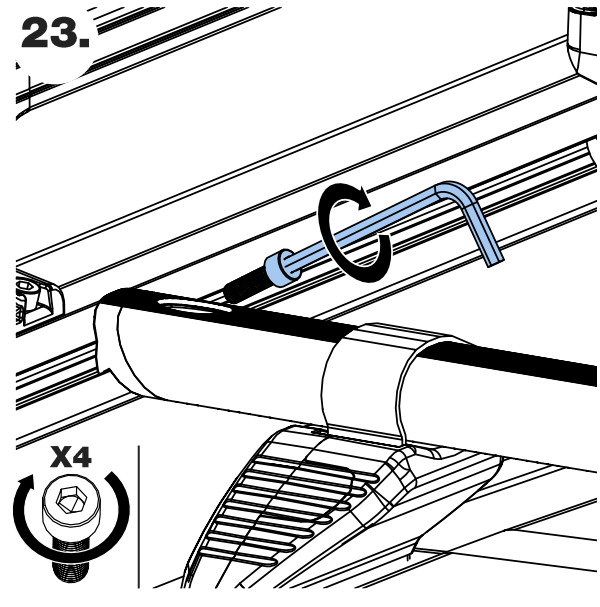
21.



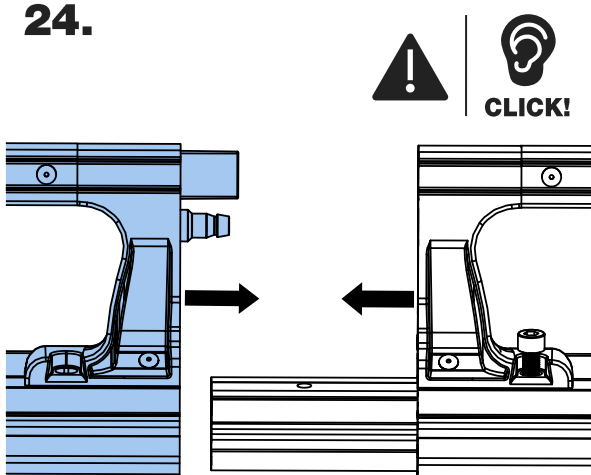
22.



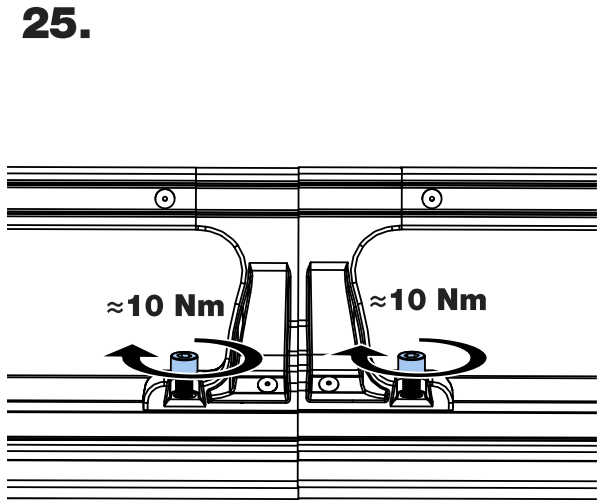
23.



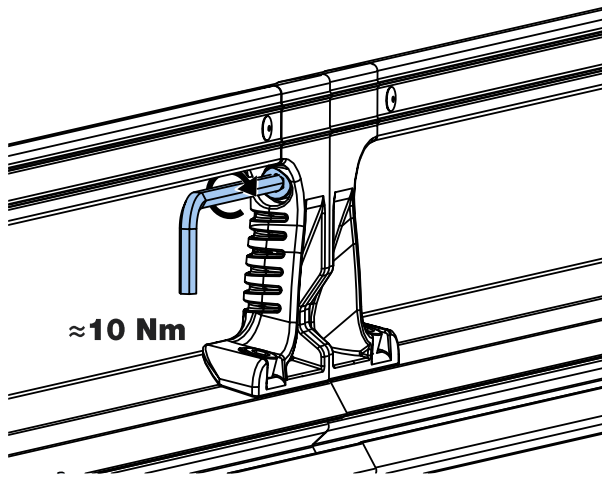
24.



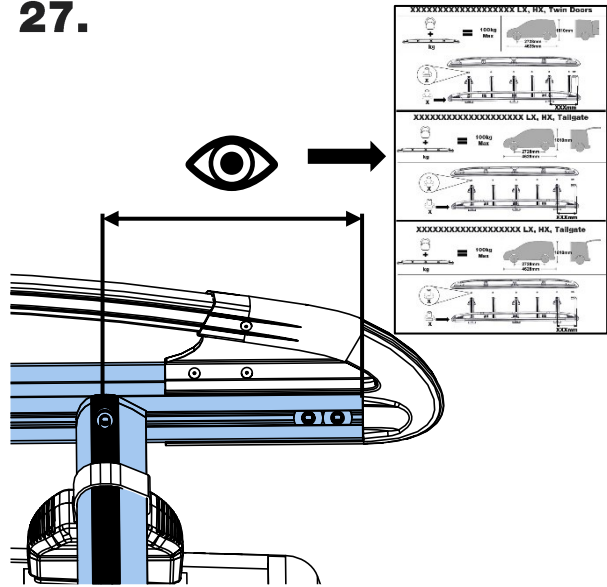
25.



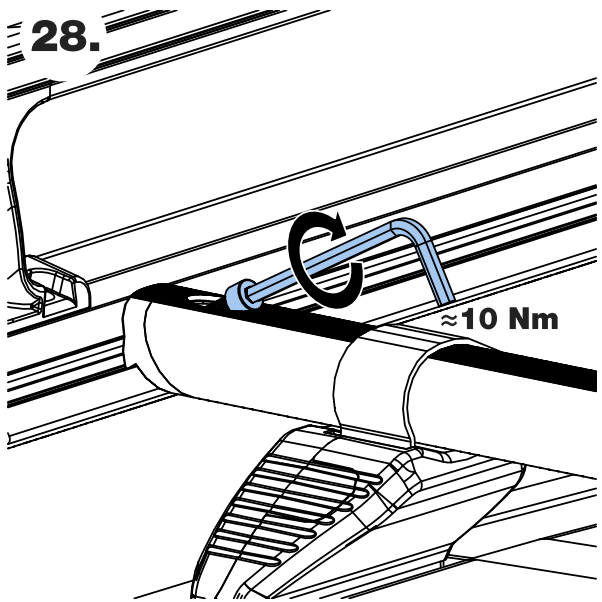
26.



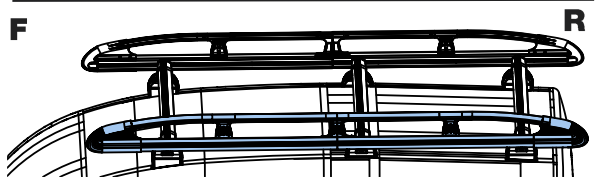
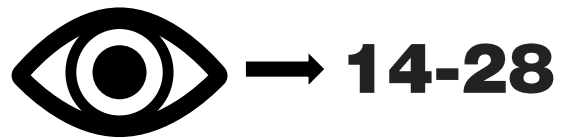
27.



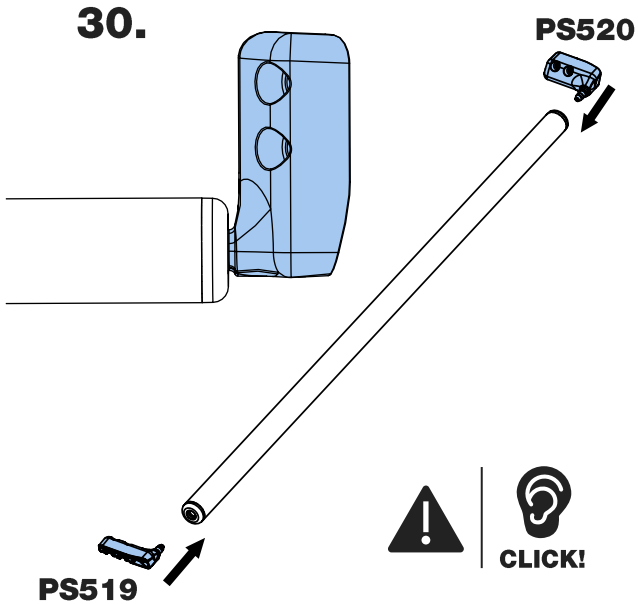
28.



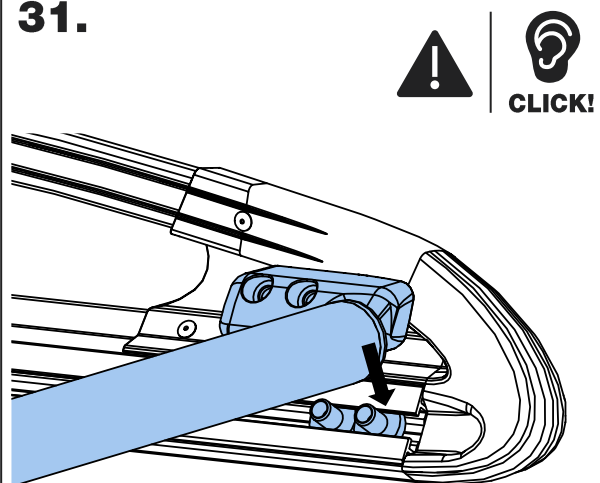
29.



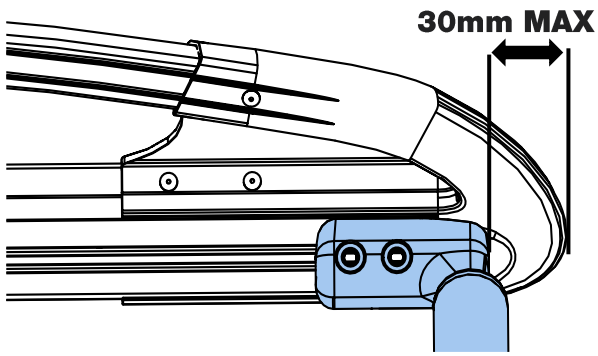
30.



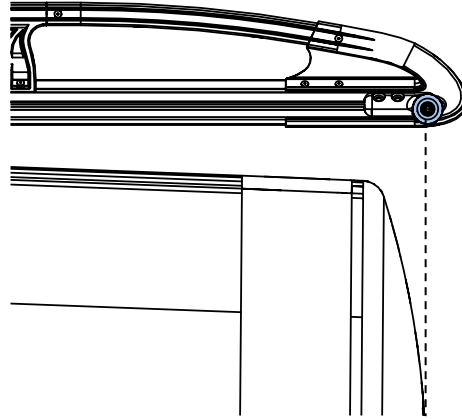
31.



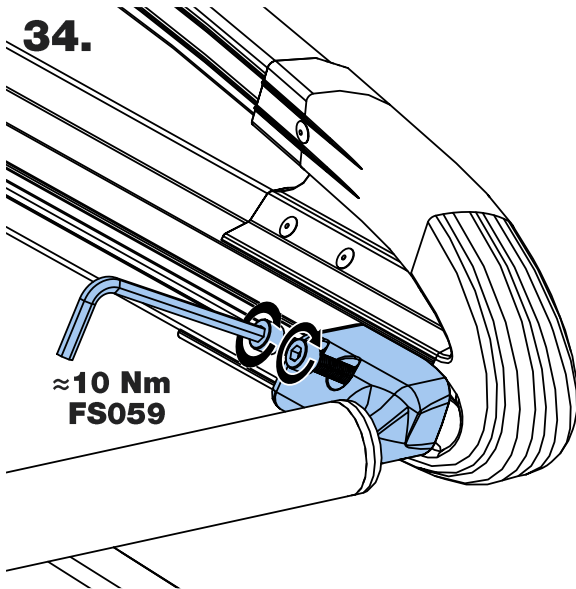
**32.**



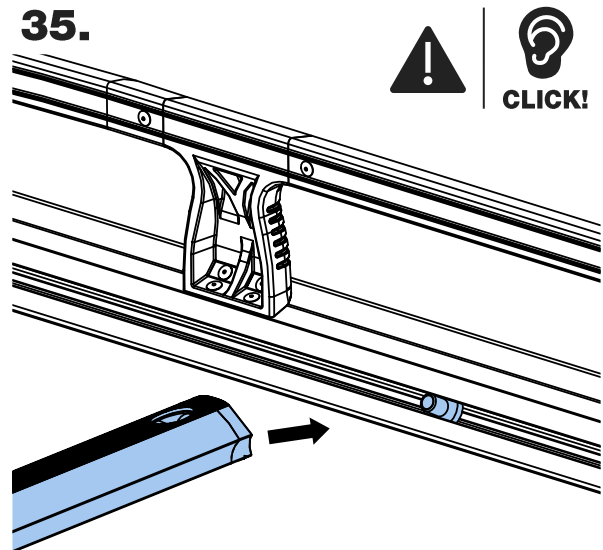
**33.**



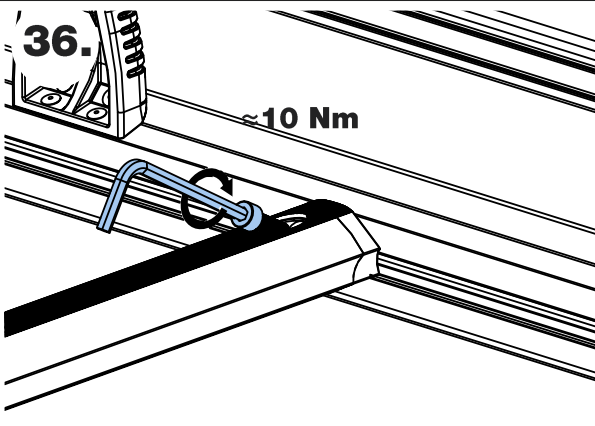
**34.**



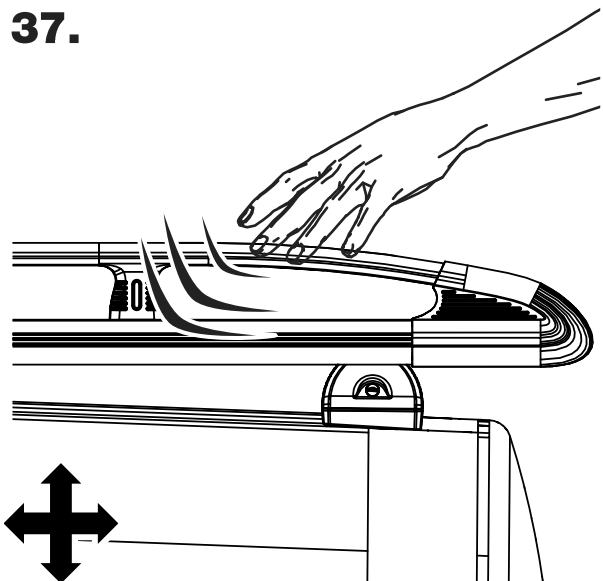
**35.**



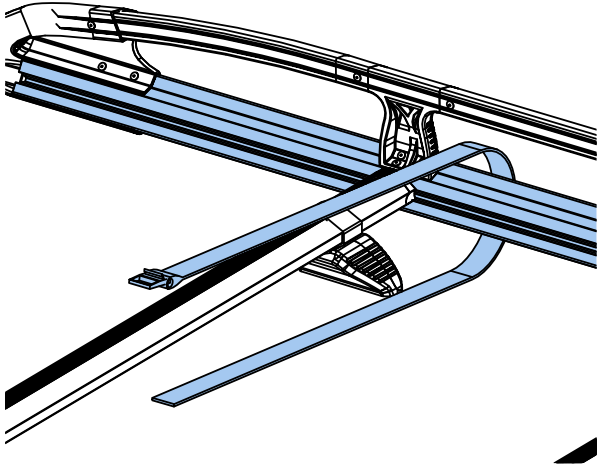
**36.**



**37.**



38.



39.

