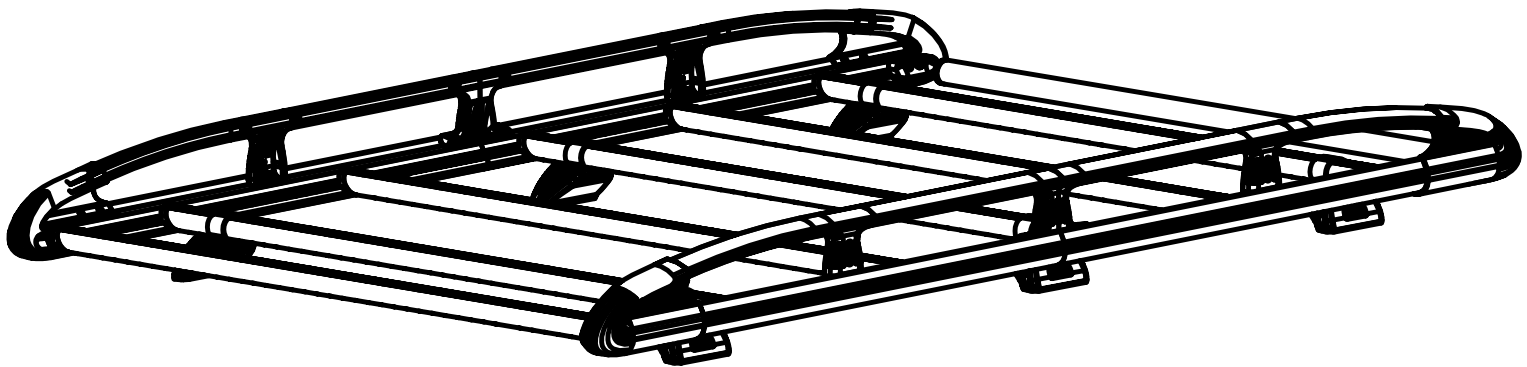


ISSUE:	DRAWN BY:	CHECKED BY:	CRF No:	DATE:	DESCRIPTION:
a	MK	KB	2846	08/12/22	First Issue
b	MK	KB	2931	27/03/23	Replaced FS027 with FS081
c	YZL	KB	3308	24/07/24	Added in new Black KammRack codes.
d					
e					
f					
g					
h					
i					
j					
k					
l					
m					

I4KR

KammRack

Instructions

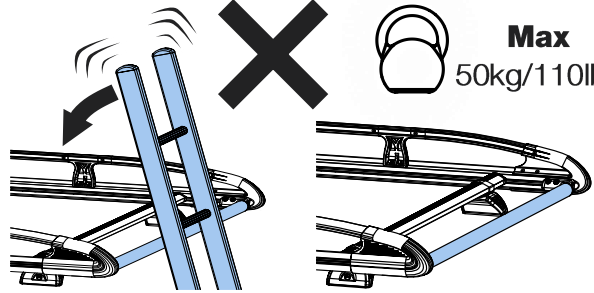
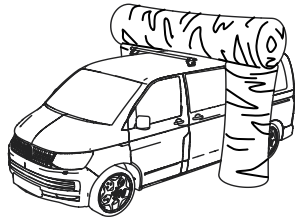
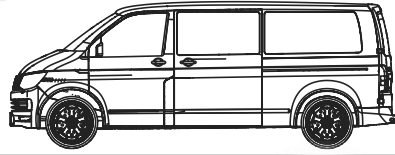


CITY CRASH (✓)

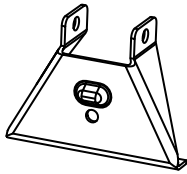
According to ISO/ PAS 11154:2006

I4KR:

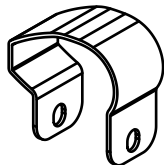
IVECO Daily, 2014-



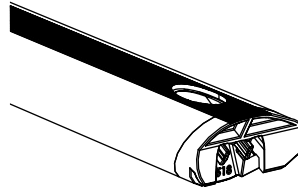
KammRack



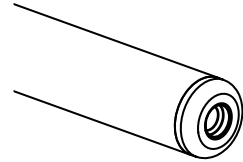
MS1632 x 8



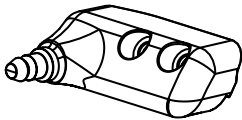
MS1142 x 8



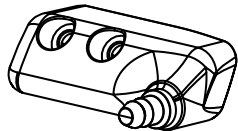
**SA430/
SA468**



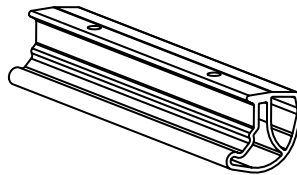
SA438 x 1



PS519 x 1



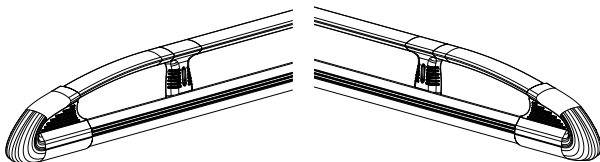
PS520 x 1



EXT15-02

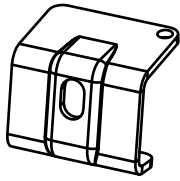
LHS x 2

RHS x 2

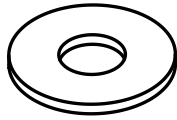


ASF x 1

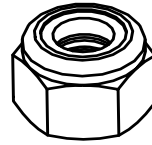
Fitting Kit



20186003 x 8



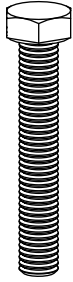
FW002 (M8) x 32



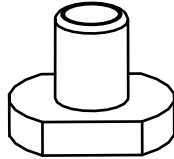
FN006 (M8) x 16



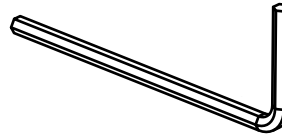
PS006-120 x 8



FS081
(M8 x 50)
x 8



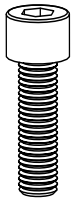
FN085 x 18



FT05 x 1



FB003
(M8 x 65)
x 8

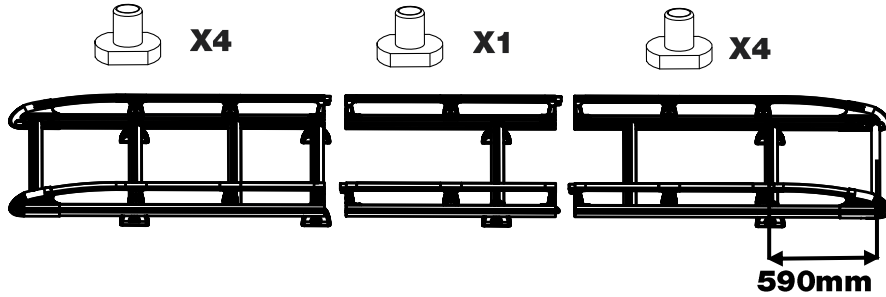
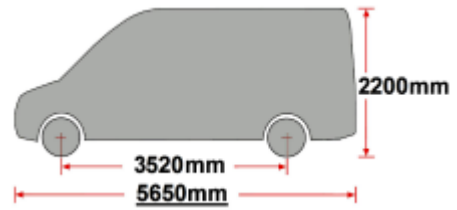
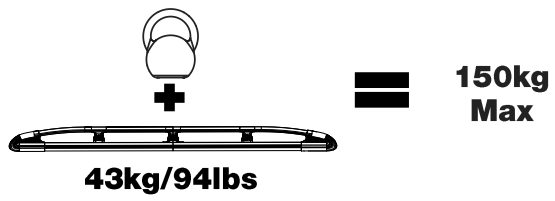


FS059
(M8 x 25) x 18

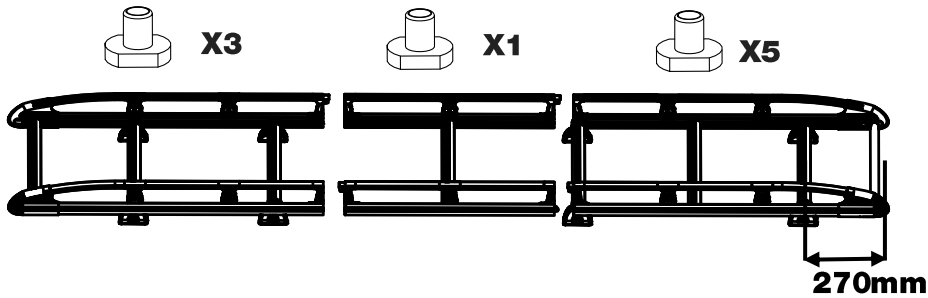
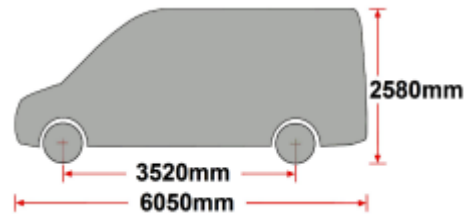
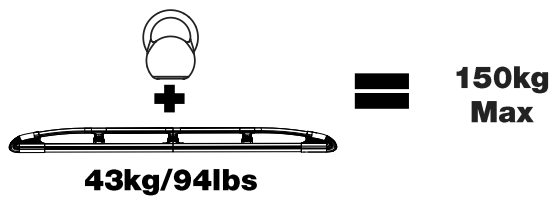


FT01 x 1

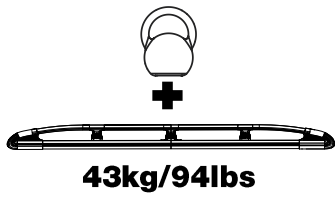
K639/B639 - Iveco Daily 2014- L2, H1, Twin Doors.



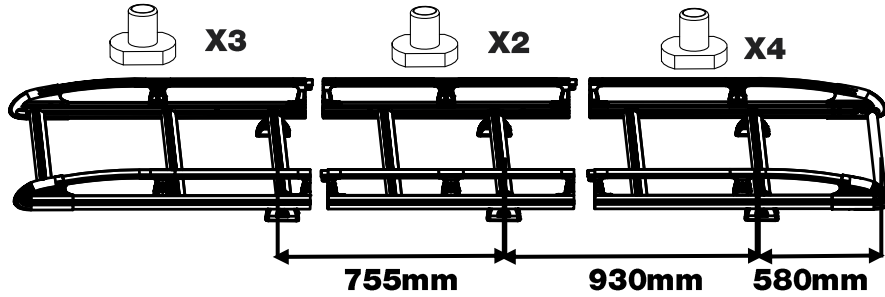
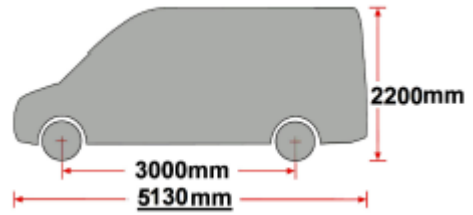
K665/B665 - Iveco Daily 2014- L3, H2, Twin Doors.



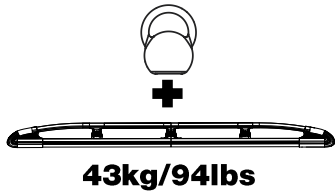
B565- Iveco Daily 2014- L1, H1, Twin Doors.



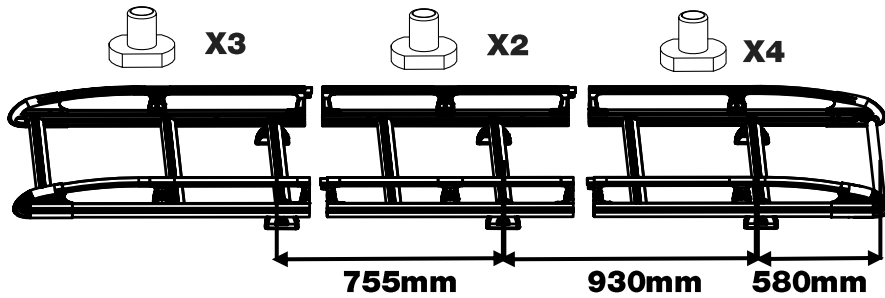
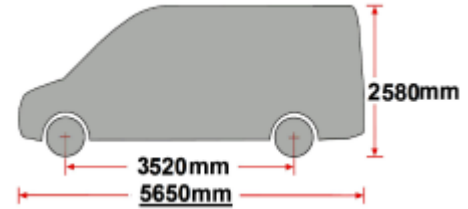
150kg Max



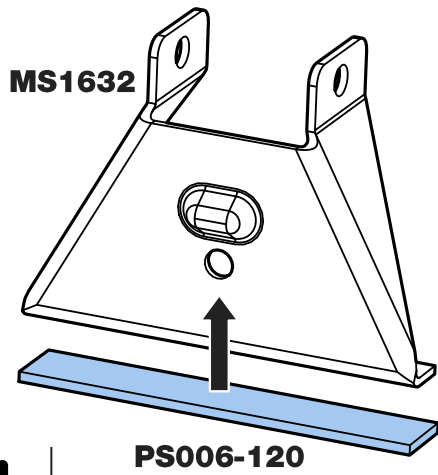
B565- Iveco Daily 2014- L2, H2, Twin Doors.



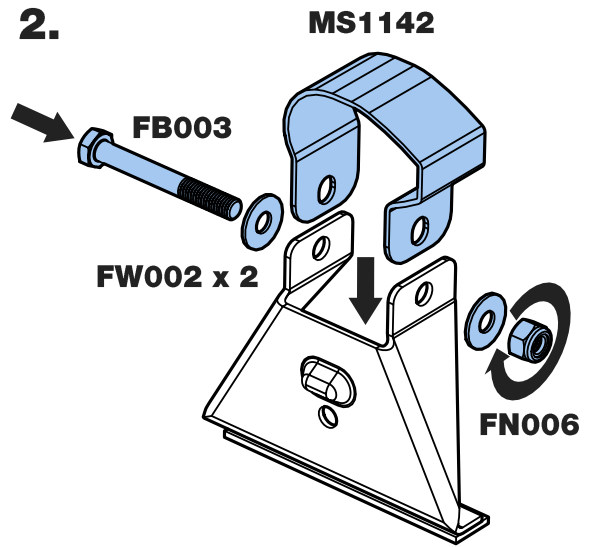
150kg Max



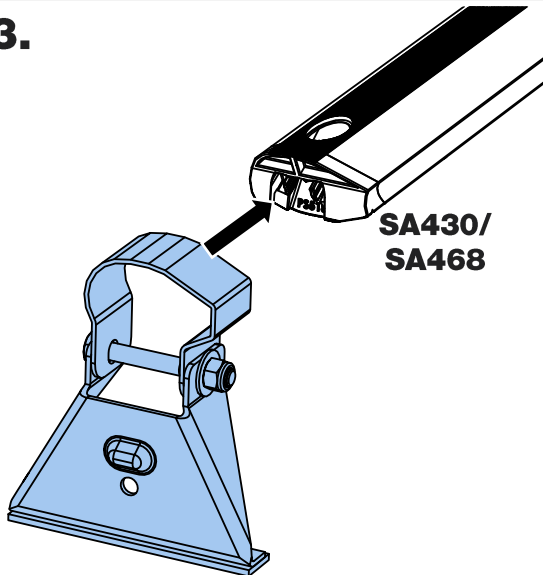
1.



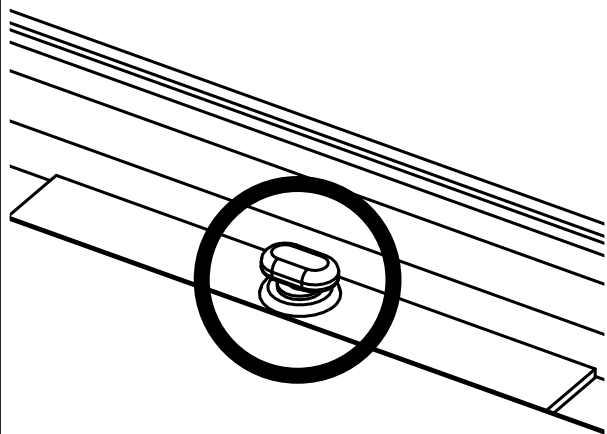
2.



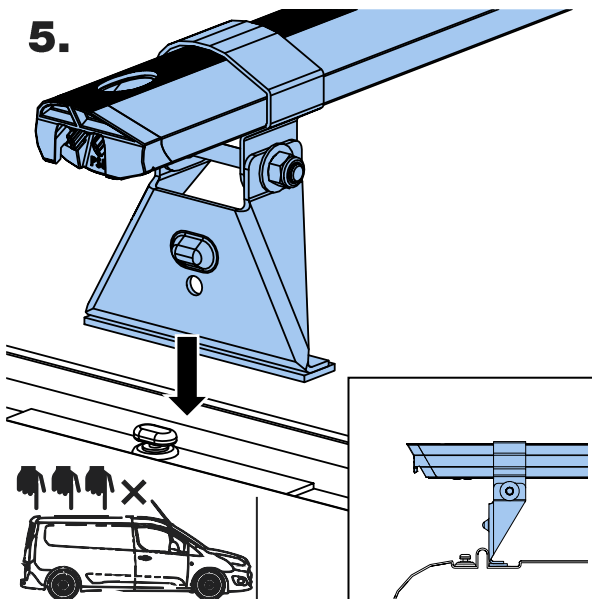
3.



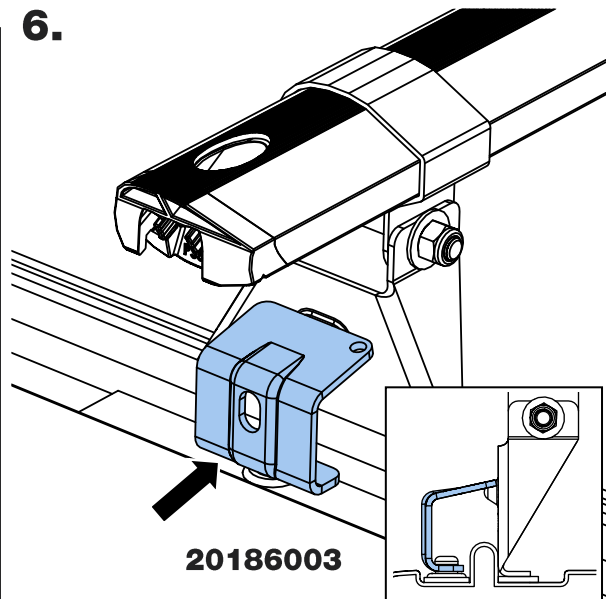
4.

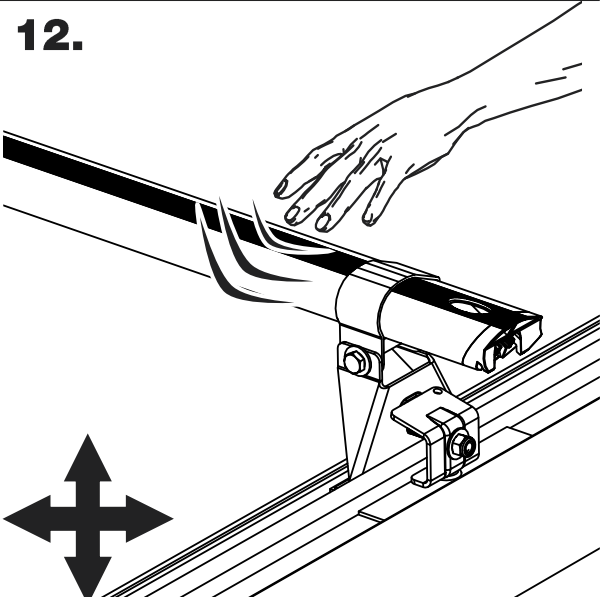
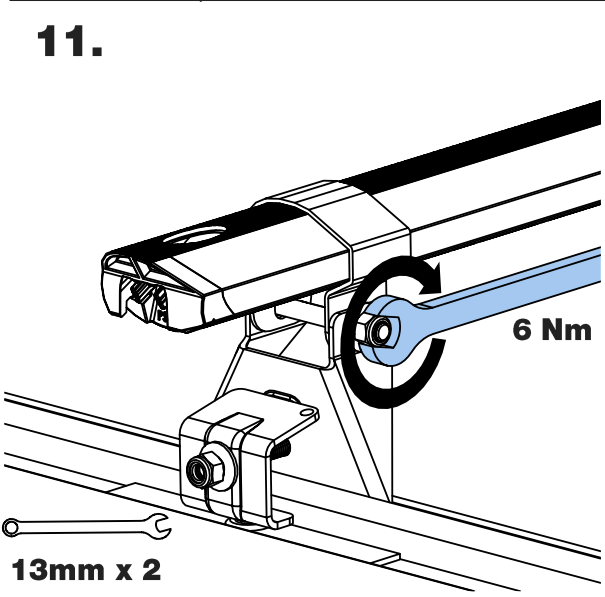
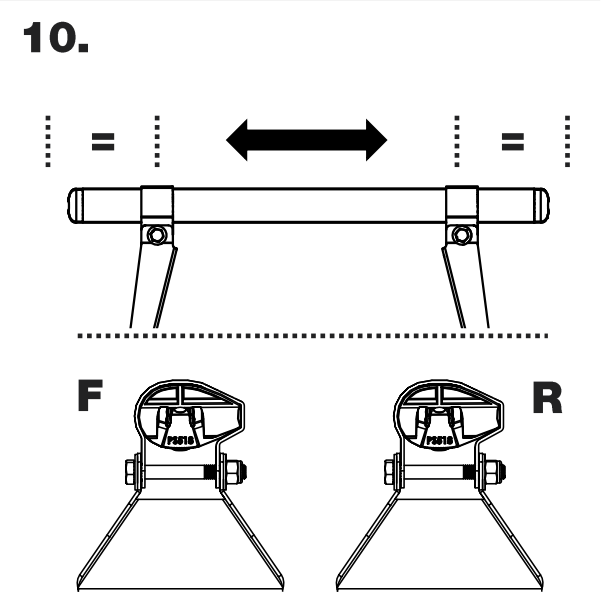
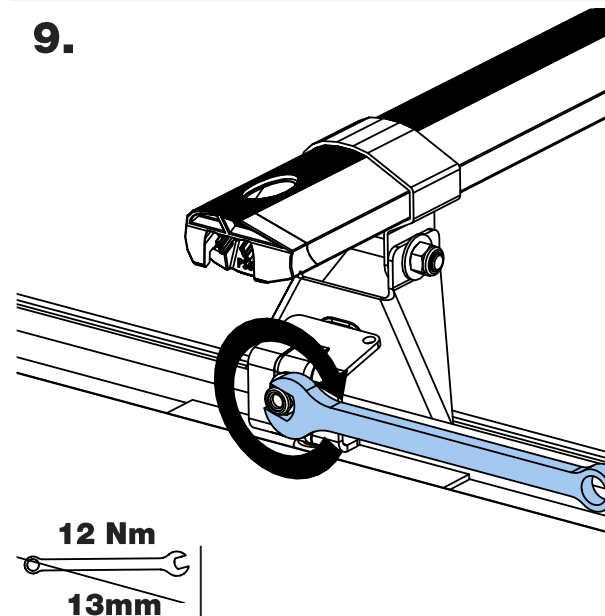
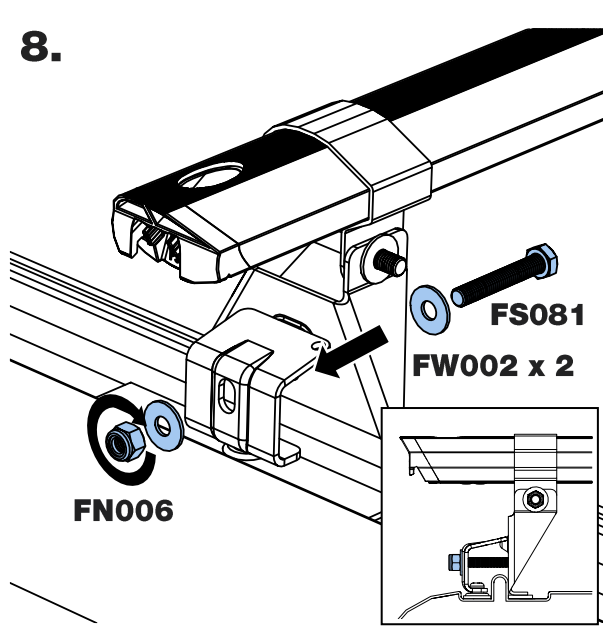
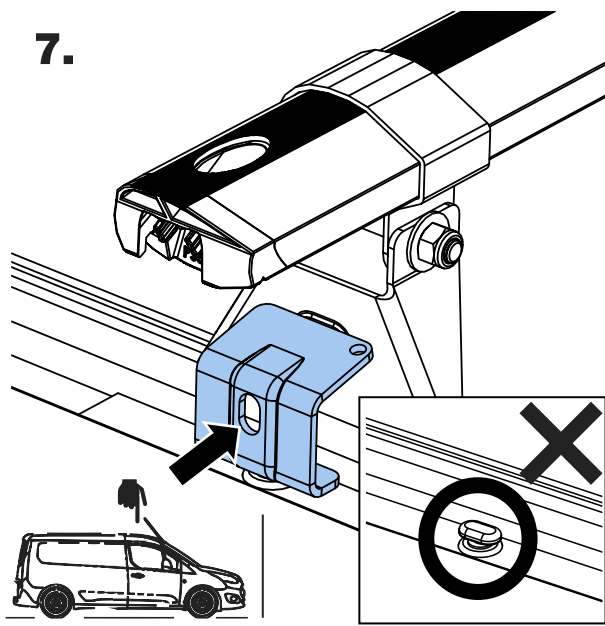


5.

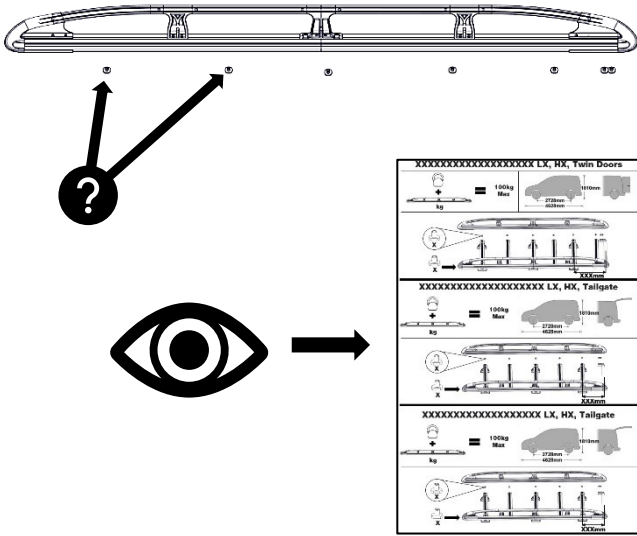


6.

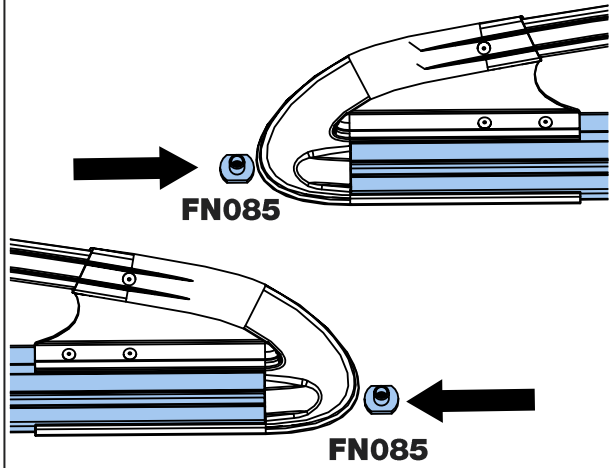




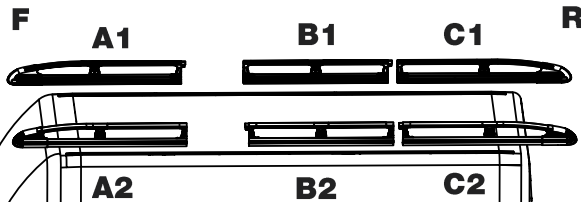
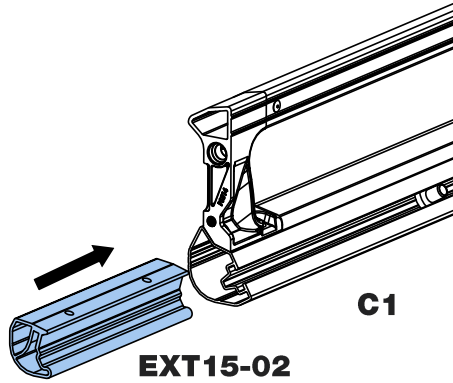
13.



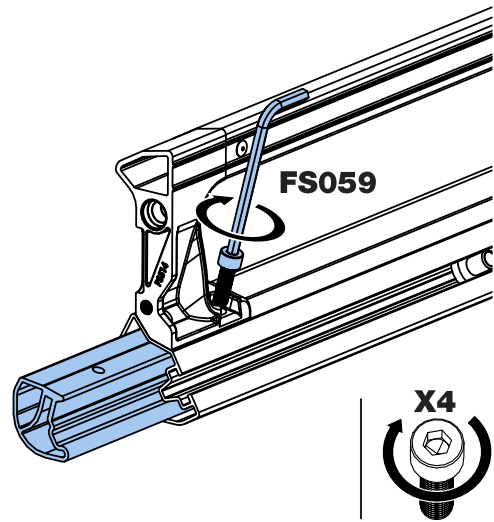
14.



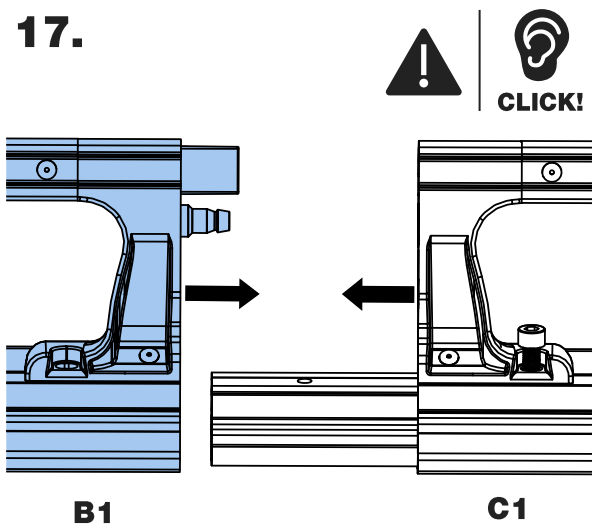
15.



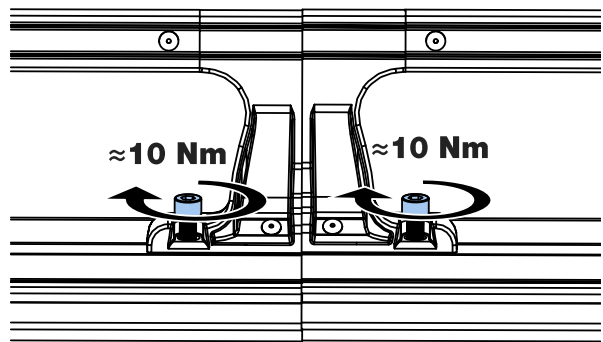
16.



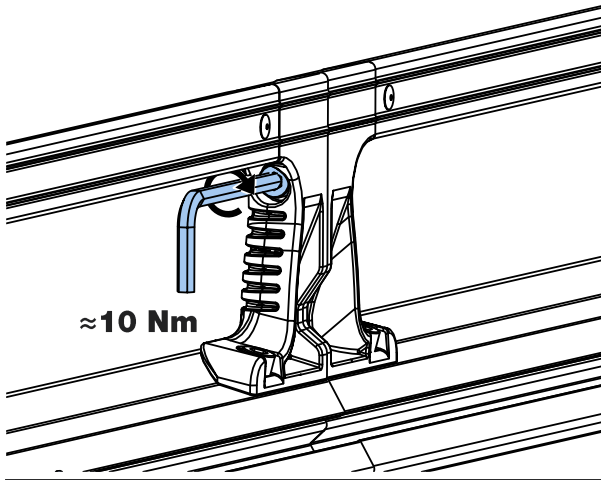
17.



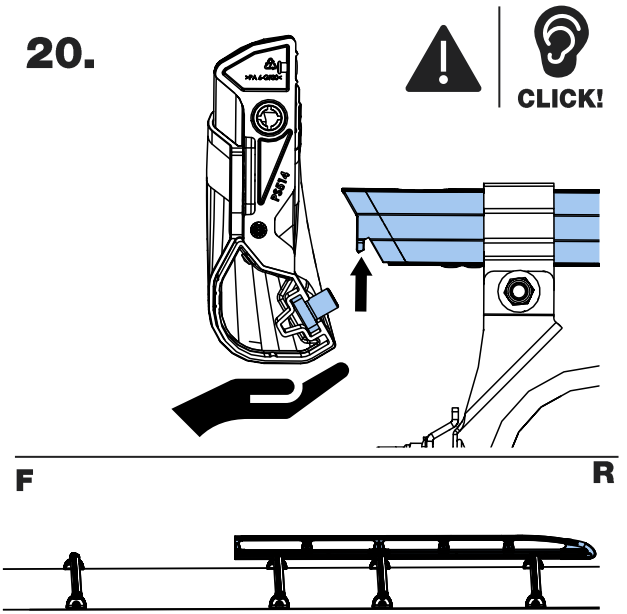
18.



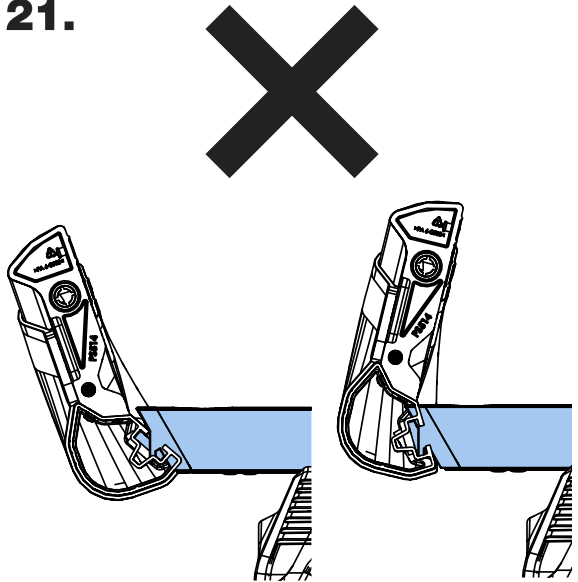
19.



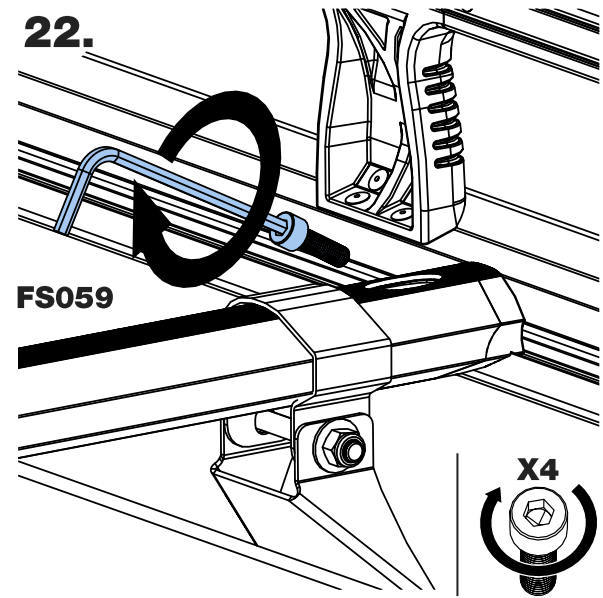
20.



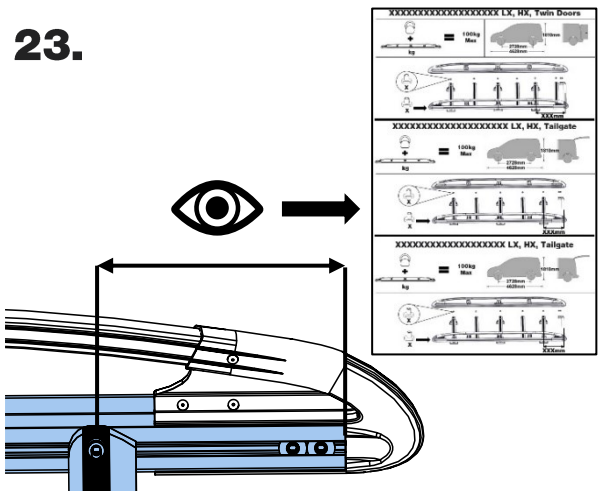
21.



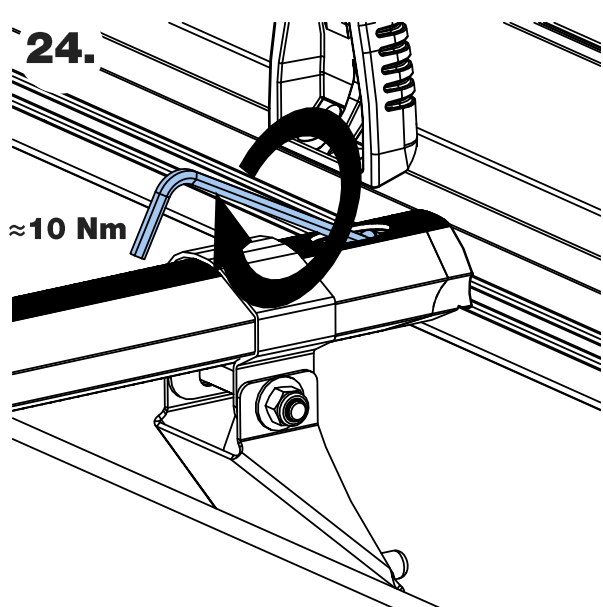
22.



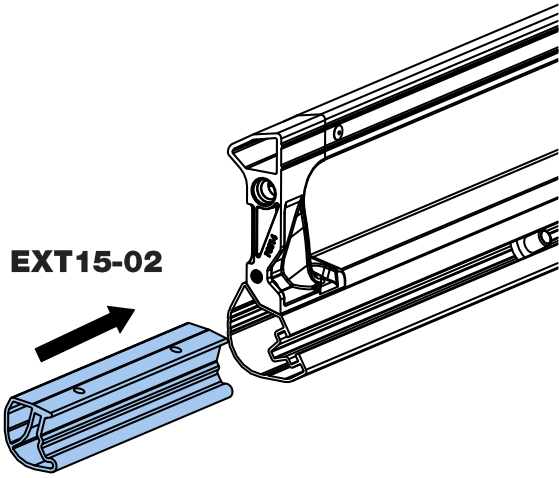
23.



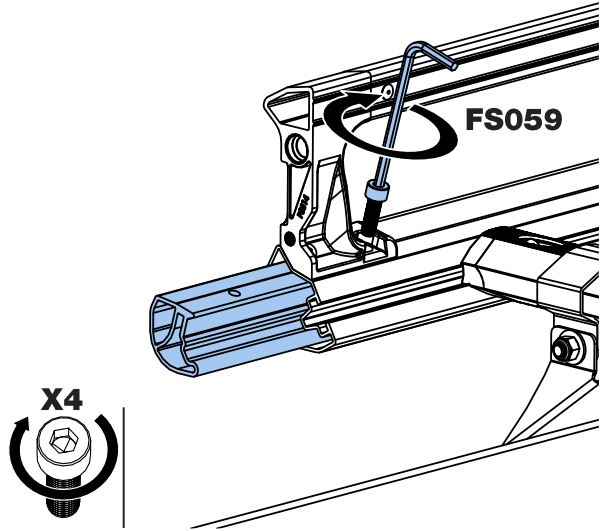
24.



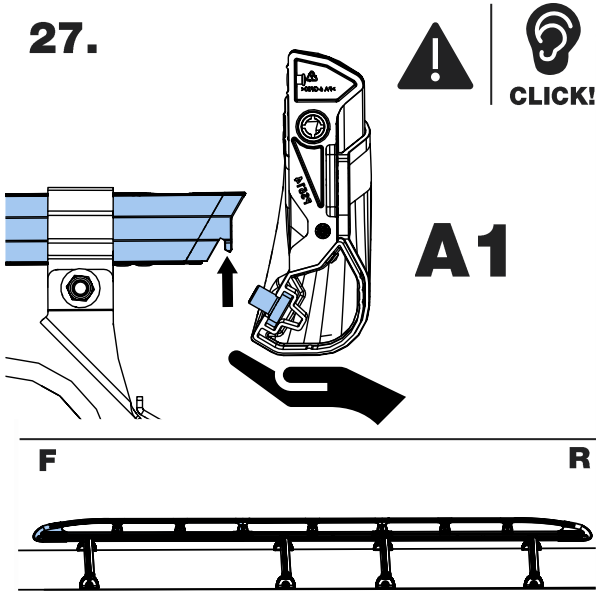
25.



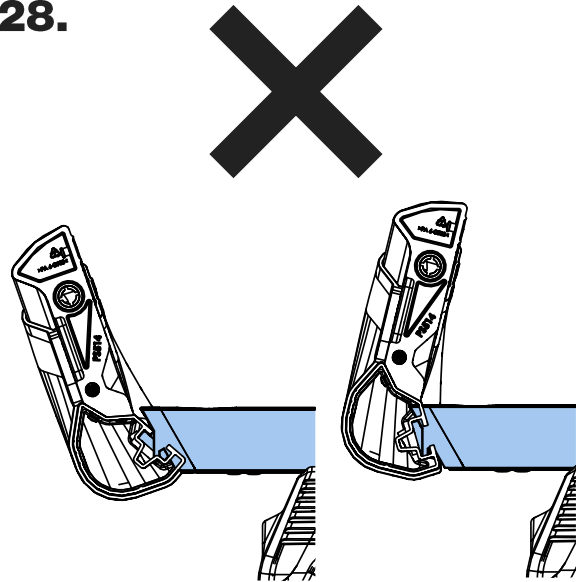
26.



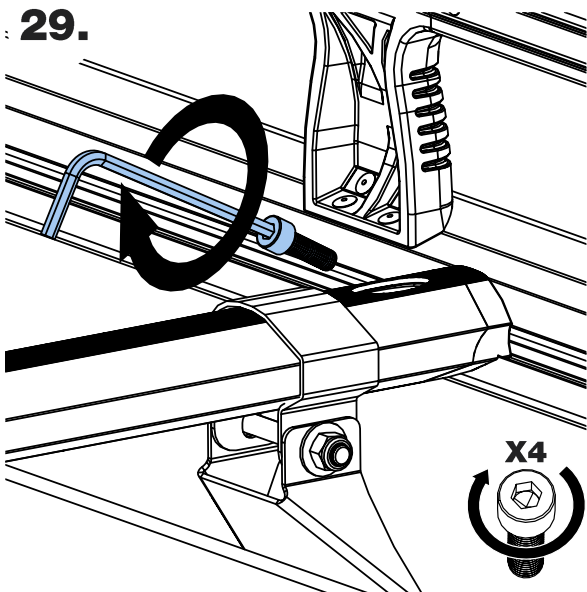
27.



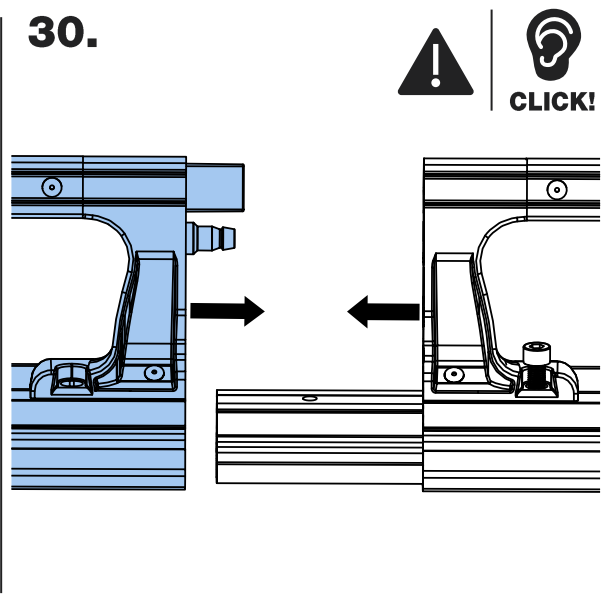
28.



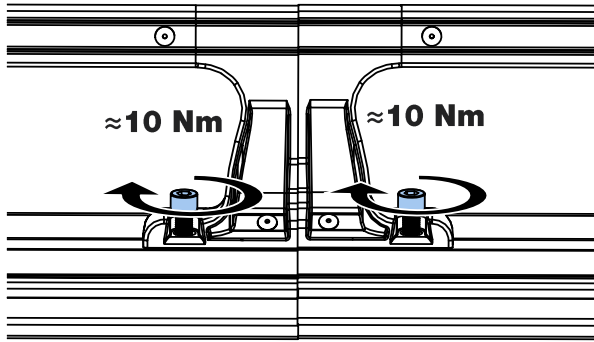
29.



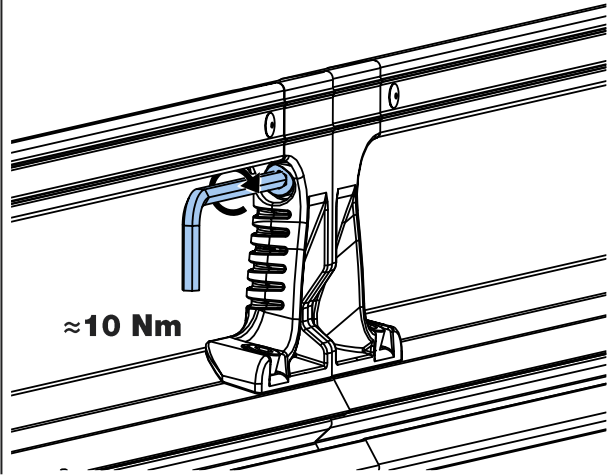
30.



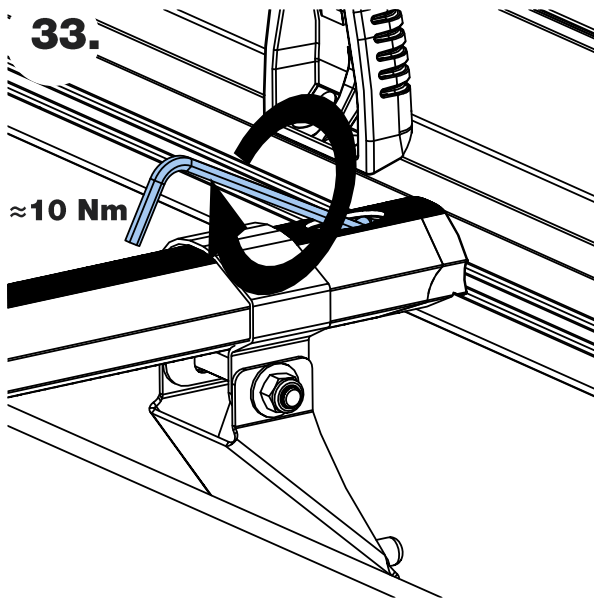
31.



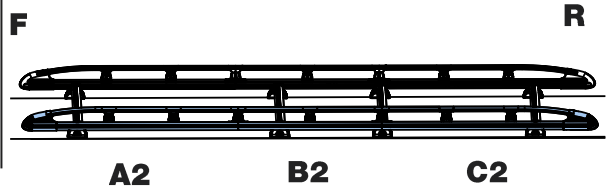
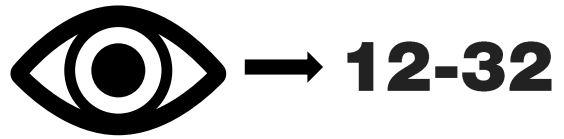
32.



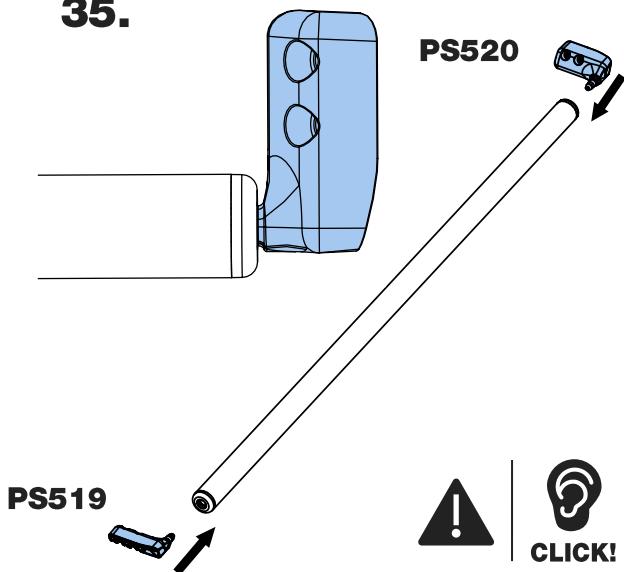
33.



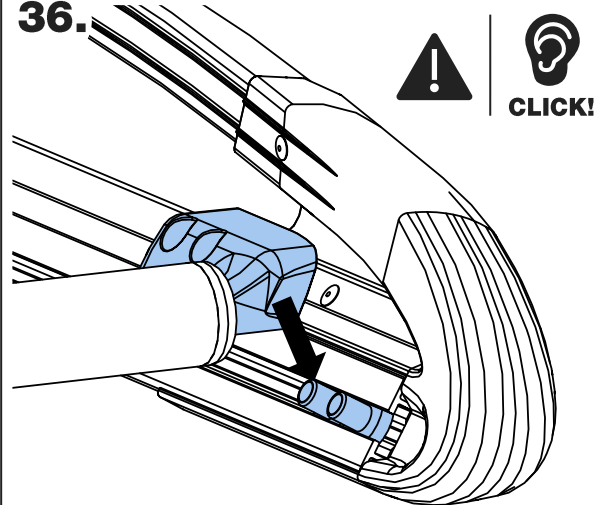
34.



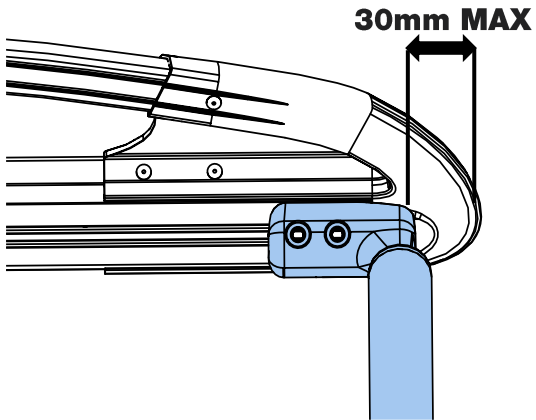
35.



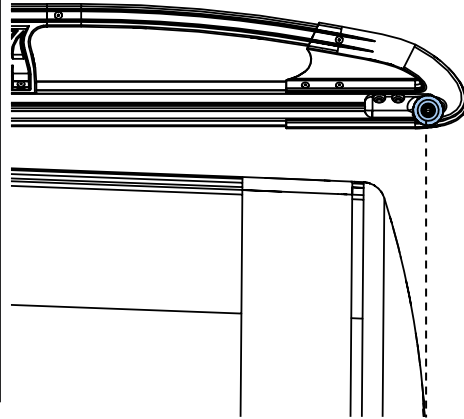
36.



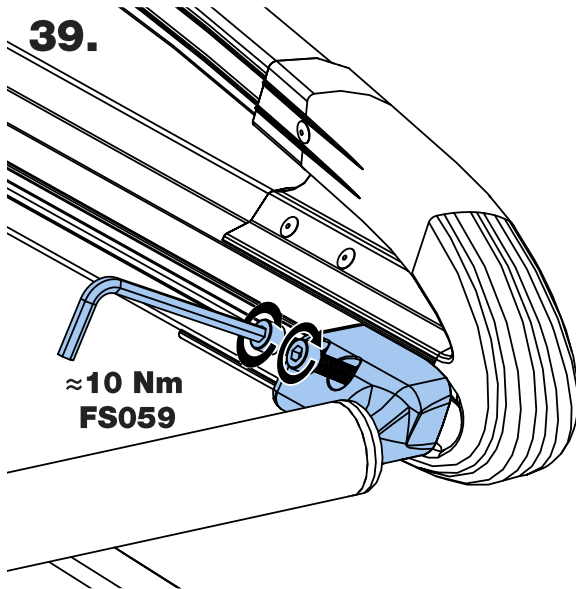
37.



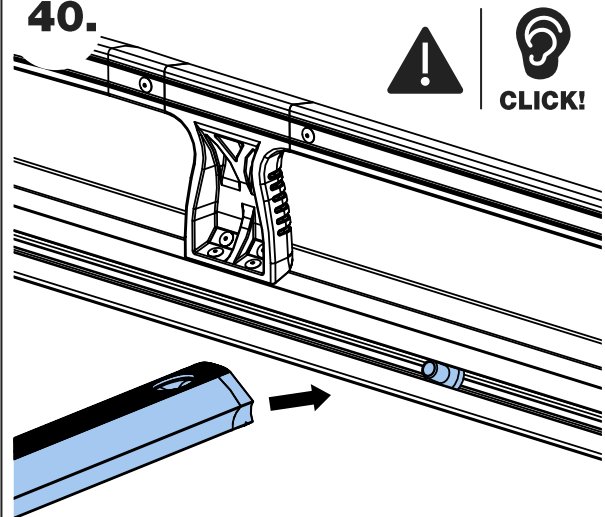
38.



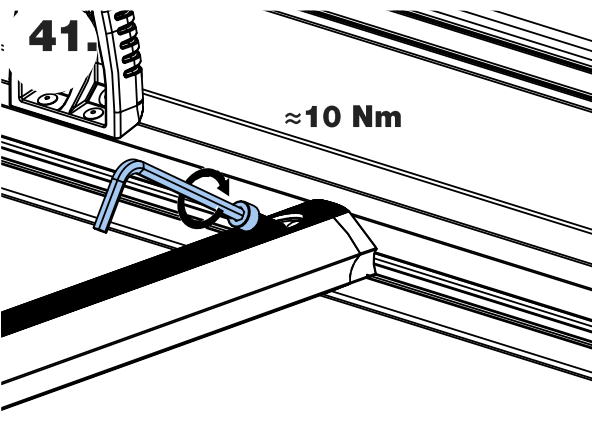
39.



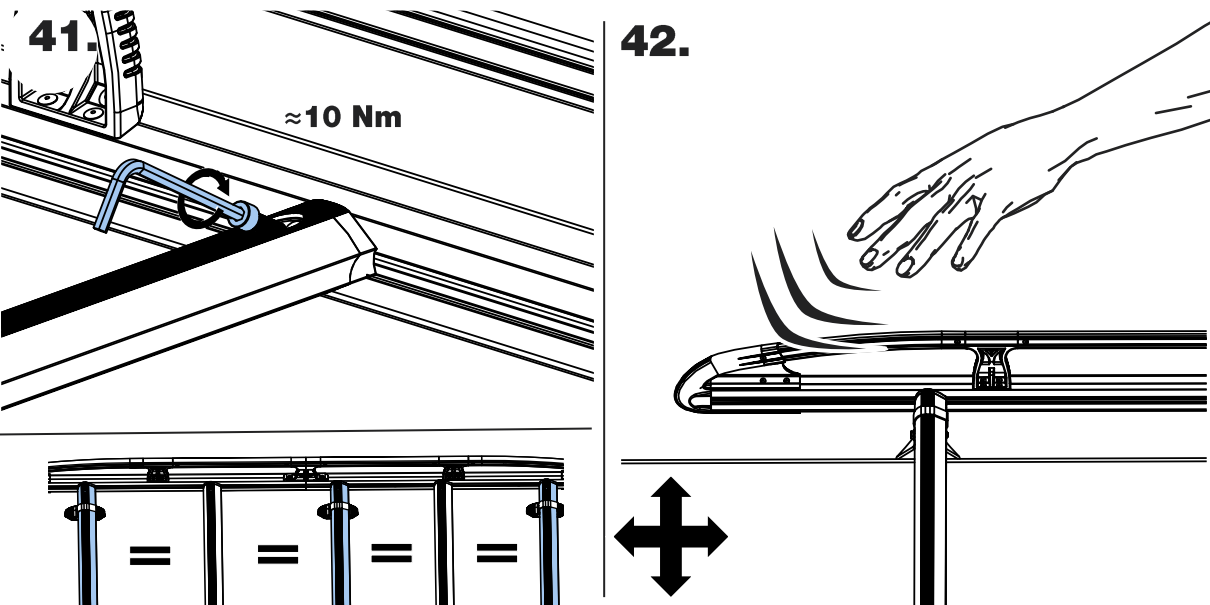
40.



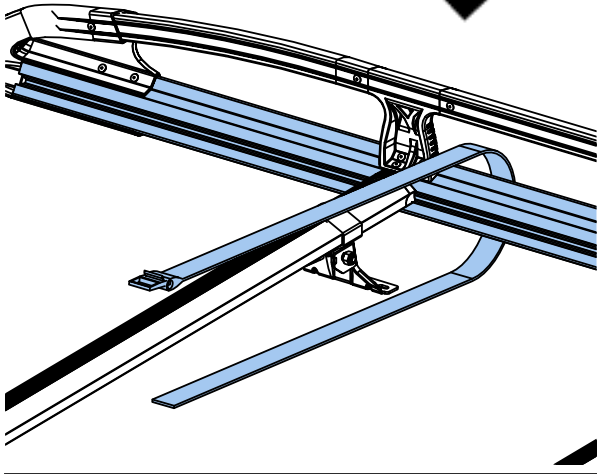
41.



42.



43.



44.

