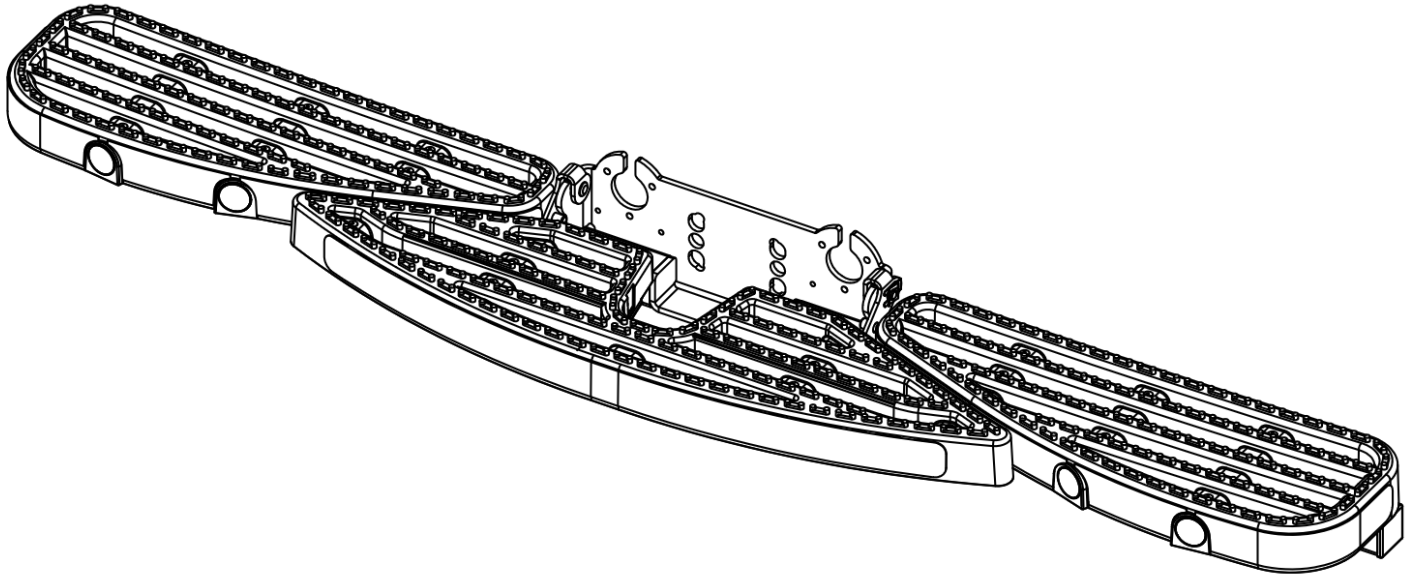


| ISSUE: | DRAWN BY: | CHECKED BY: | CRF No: | DATE: | DESCRIPTION: |
|---------------|------------------|--------------------|----------------|--------------|--|
| a | LE | KB | 2699 | 05/05/22 | First Issue |
| b | LE | KB | 2750 | 21/07/22 | Removed TUV label + amended eye icon information (P.3) |
| c | SJ | KB | 3243 | 04/06/24 | Added FS310 x 2 |
| d | SJ | KB | 3418 | 06/02/25 | Added Custom 2024- |
| e | | | | | |
| f | | | | | |
| g | | | | | |
| h | | | | | |
| i | | | | | |
| j | | | | | |
| k | | | | | |
| l | | | | | |
| m | | | | | |

TS11Y

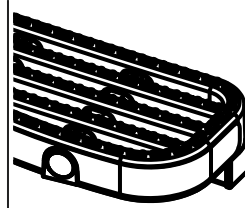
TowStep

Instructions



TS11YFI:

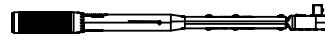
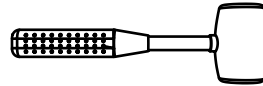
CITROEN Dispatch 2019-, Relay/Jumper 2006-
FIAT Ducato 2006-
FORD Transit 2014-, Custom 2012-2018, 2024-
IVECO Daily 2014-
MAN TGE 2017-
MAXUS Deliver9 2020-
MERCEDES Sprinter 2018-
PEUGEOT Boxer 2006-, Expert 2019-
RENAULT Master 2010-, Trafic 2014-
TOYOTA Proace 2019-
VAUXHALL/OPEL Movano 2010-, Vivaro 2014-
VW Crafter 2017-, T5/T6 2015-



TowStep x 1
 13.09kg/28.86lbs



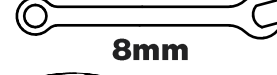
Max
 150kg/330lbs



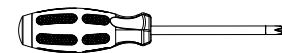
24mm



17mm

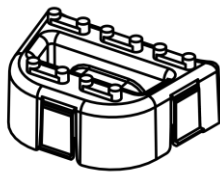


8mm

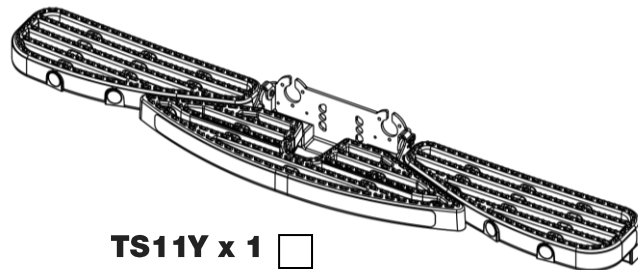


x 1

TowStep



PS508 x 1

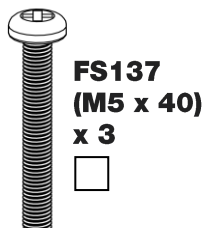


TS11Y x 1

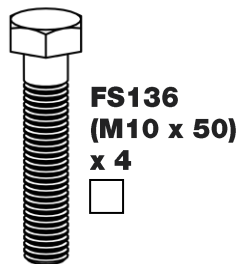
Fitting Kit



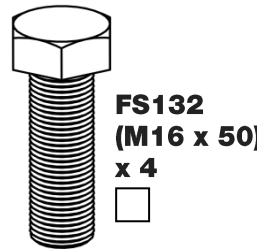
FS140 (M5 x 16) x 3



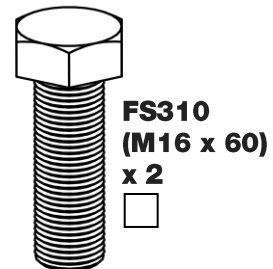
FS137 (M5 x 40) x 3



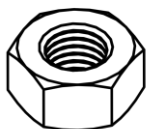
FS136 (M10 x 50) x 4



FS132 (M16 x 50) x 4



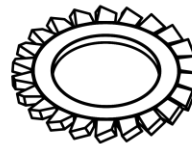
FS310 (M16 x 60) x 2



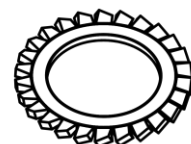
FN045 (M10) x 4



FN043 (M16) x 4



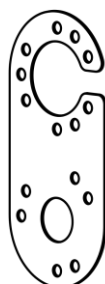
FW023 (M10) x 4



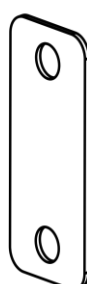
FW024 (M16) x 4



FN029 (M5) x 6



MS504 x 1



MS1150 x 1 (Dixon Bate Only)

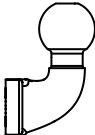
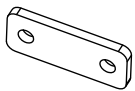

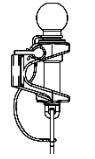
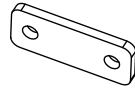

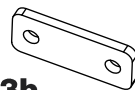

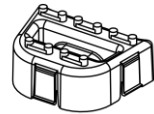
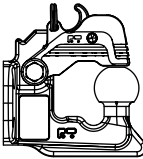
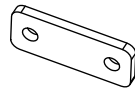

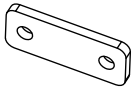
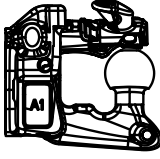
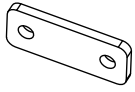
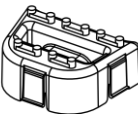
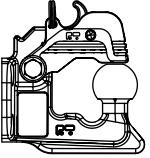
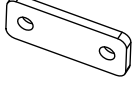
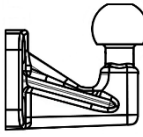
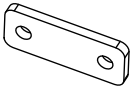
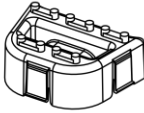
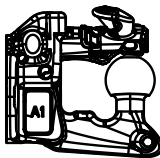
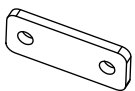
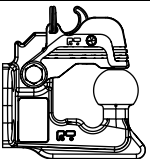
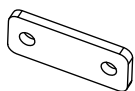
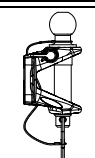
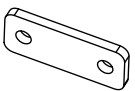


PS502 (6mm) x 4



PS503 (16mm) x 4

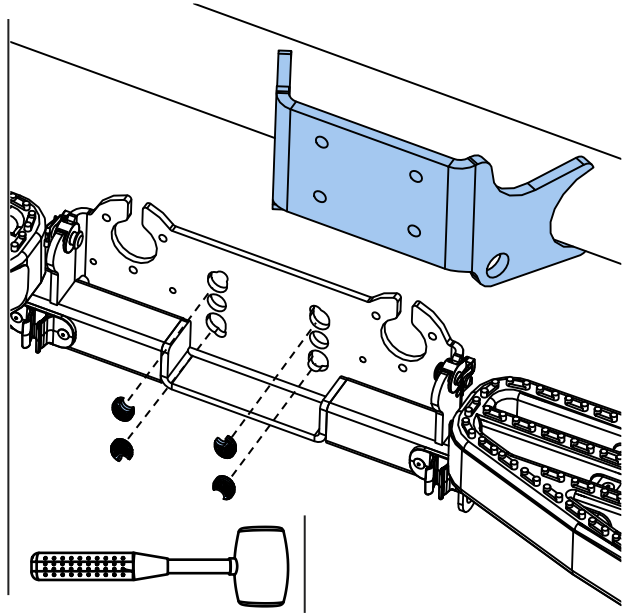
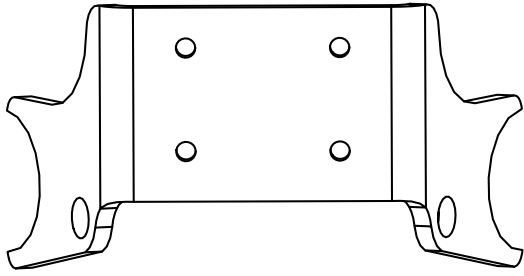


| | | | | |
|----------------|--|---|---|---|
| M16 x 2 | Standard 50mm Tow Ball |  | MS1150 ✗  |  |
| | Bradley Ball & Pin (185080815) |  | MS1150 ✗  | PS508 ✓ |
| | Dixon Bate (185002015) |  | MS1150 ✓  3b.  |  |
| | Crochet à boule 70C (2905019) |  | MS1150 ✗  | PS508 |
| | MULTIS - Crochet à boule mixte (2905080) |  | MS1150 ✗  | ✗ |
| M16 x 4 | MULTIS - Crochet à boule mixte (2905083) |  | MS1150 ✗  |  |
| | Crochet à boule 70C (2905024) |  | MS1150 ✗  | PS508 ✗ |
| M10 x 4 | Universal 4 Hole Flange |  | MS1150 ✗  |  |
| | MULTIS - Crochet à boule mixte (2905081) |  | MS1150 ✗  | PS508 ✗ |
| | Crochet à boule 70C (2905022) |  | MS1150 ✗  | ✗ |
| | Euro 4 Bolt & Pin (185075015) |  | MS1150 ✗  | PS508 ✓ |



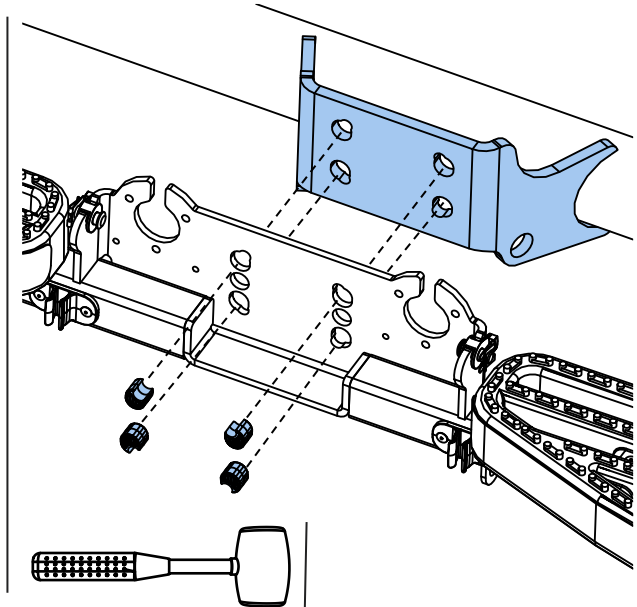
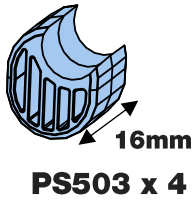
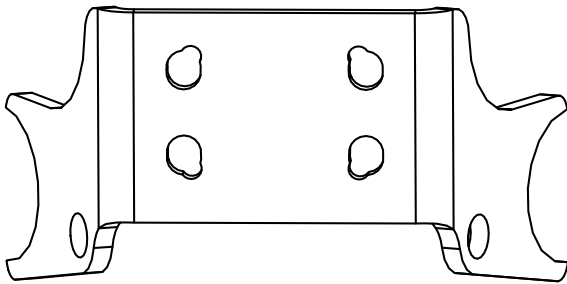
A.

M10 x 4



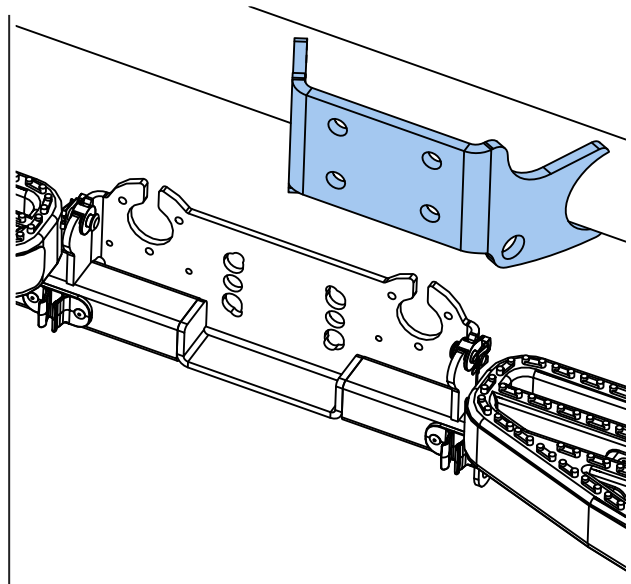
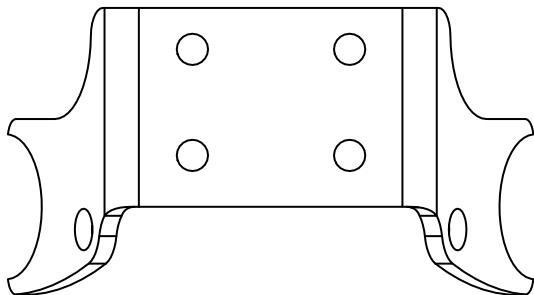
B.

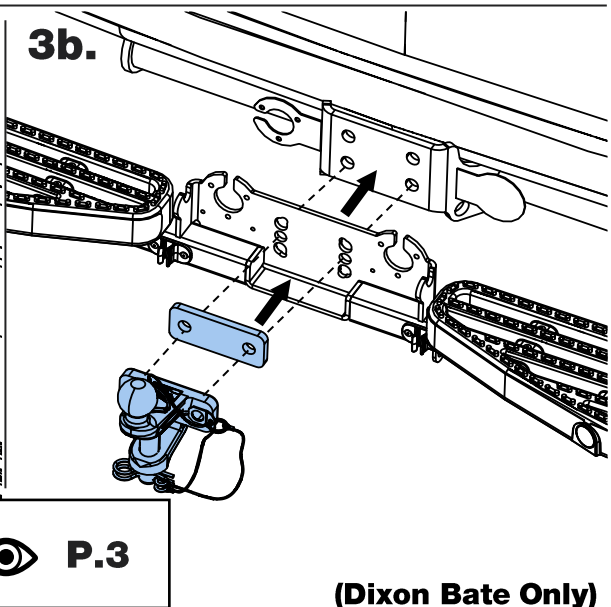
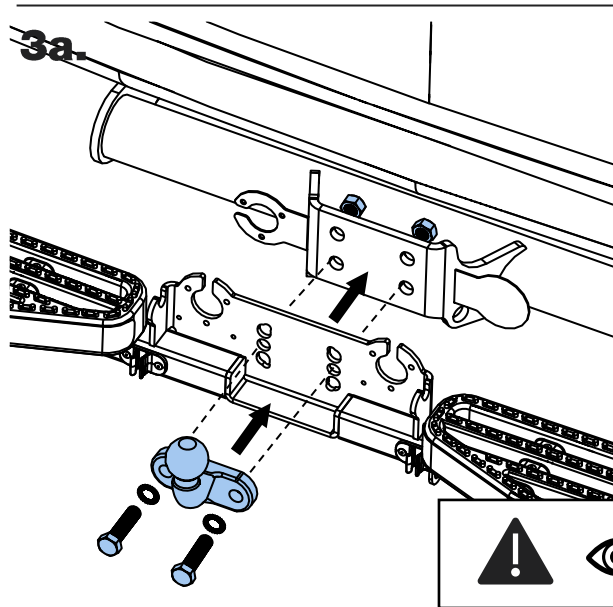
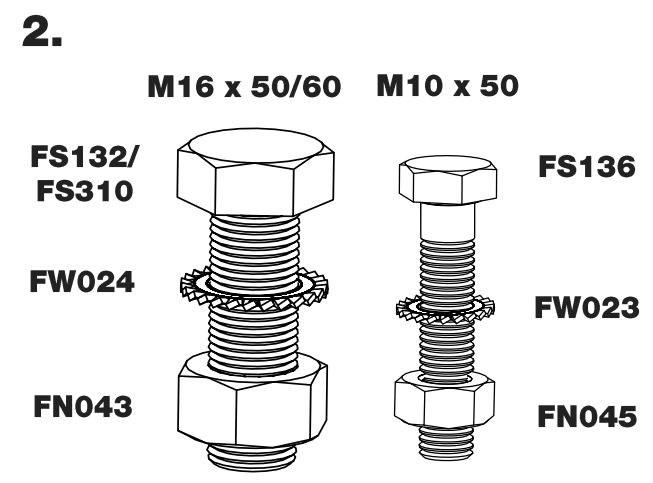
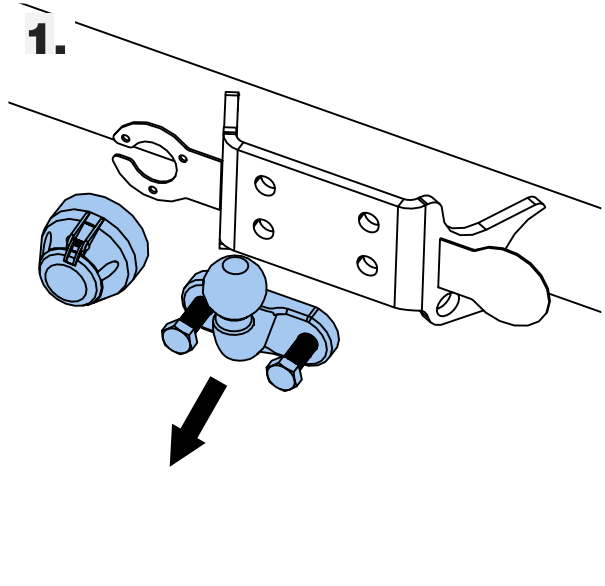
WITTER



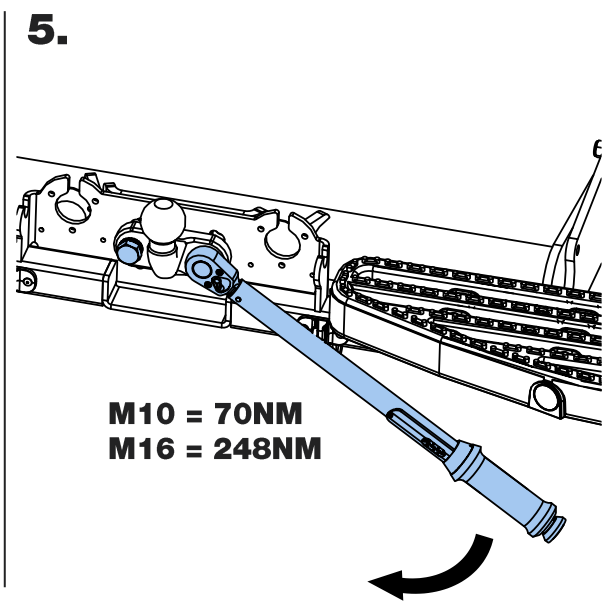
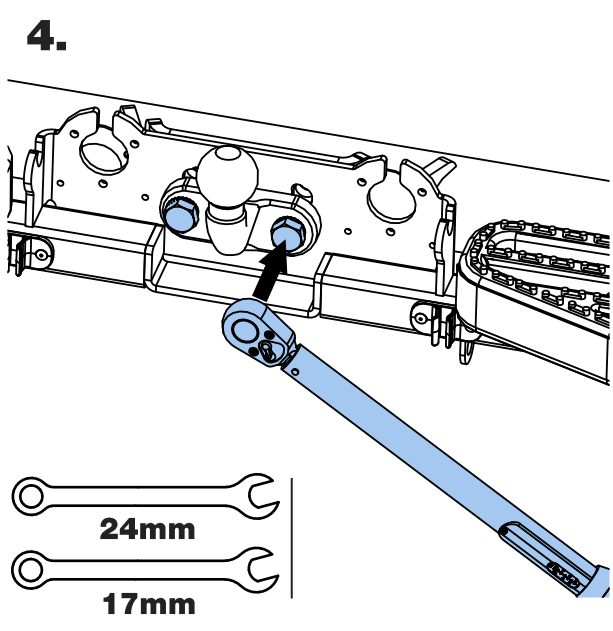
C.

M16 x 4

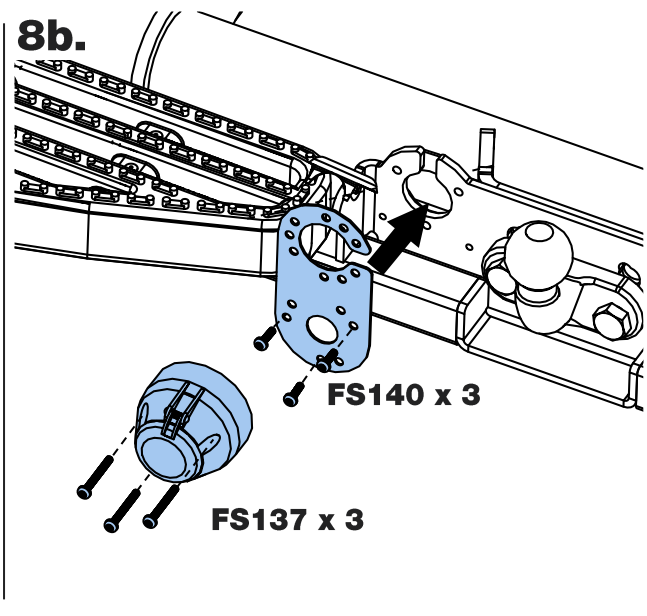
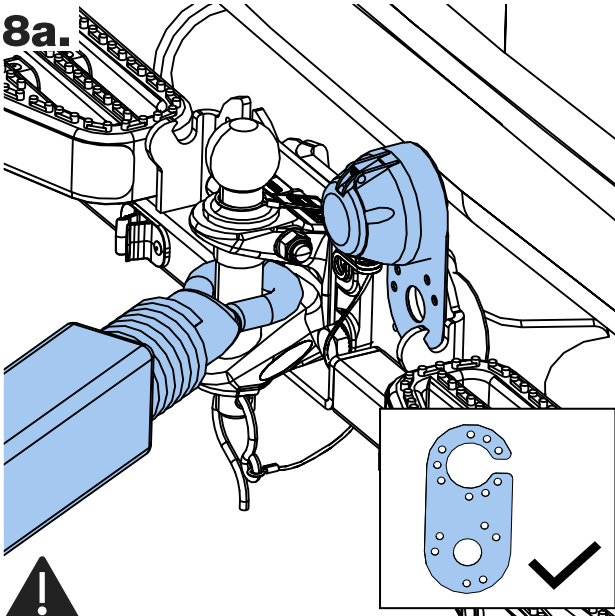
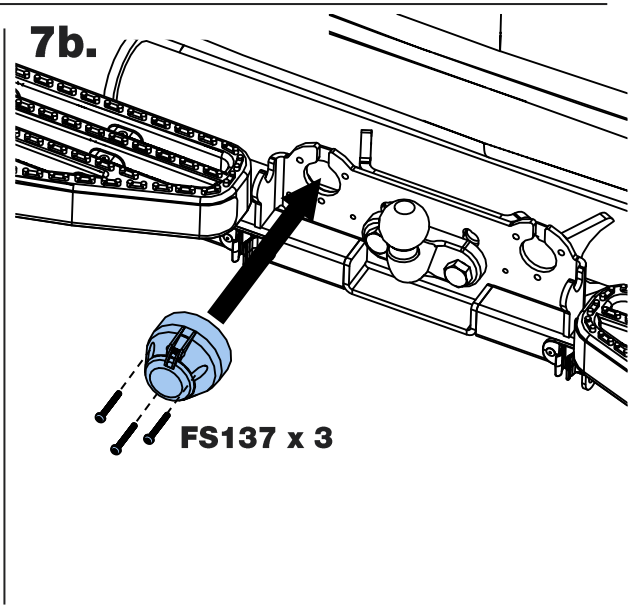
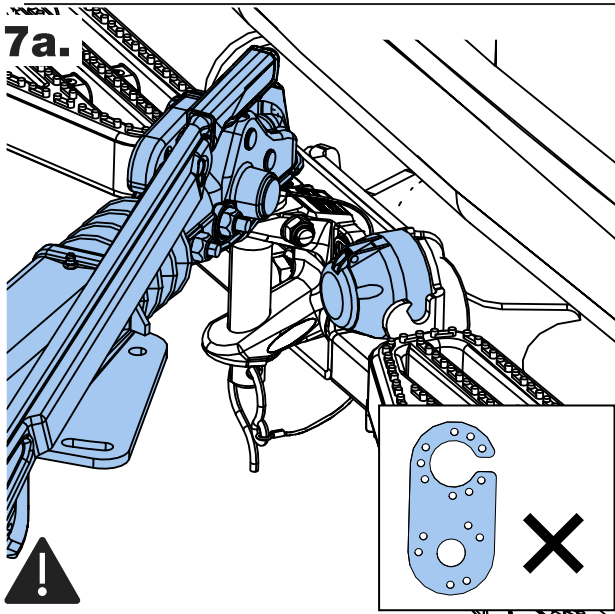
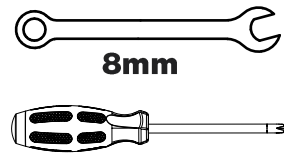
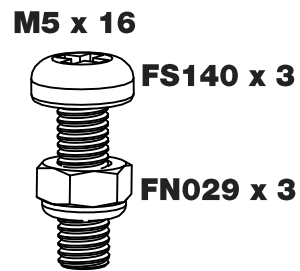
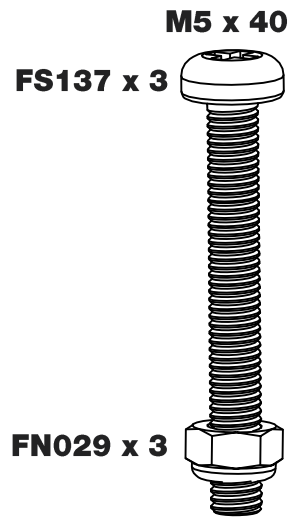


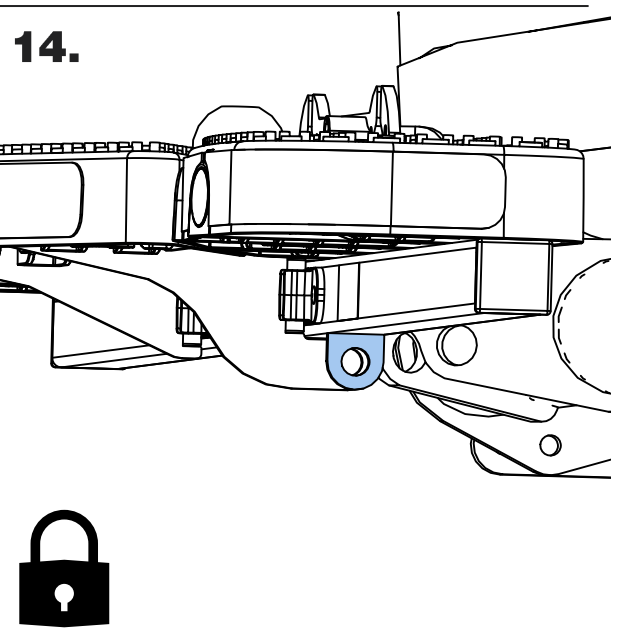
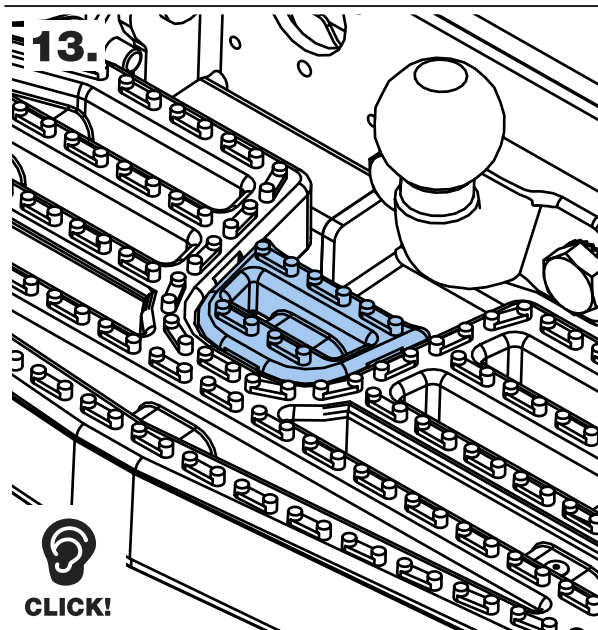
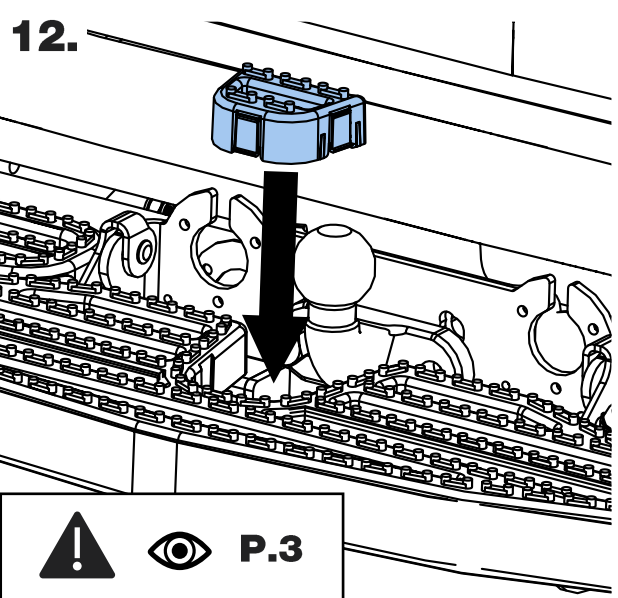
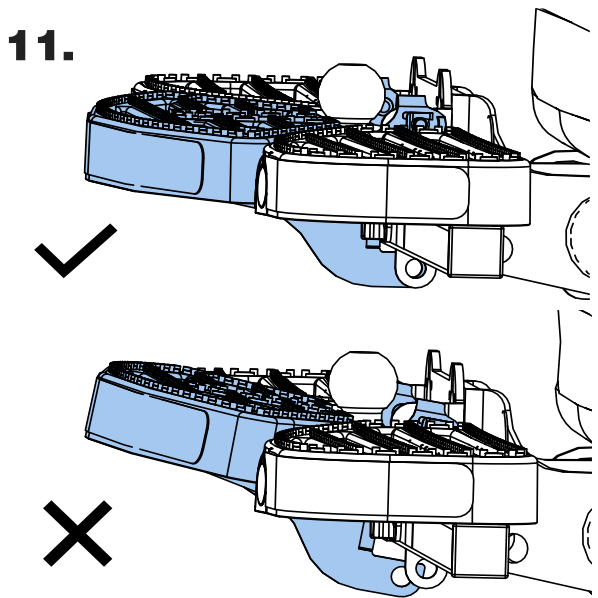
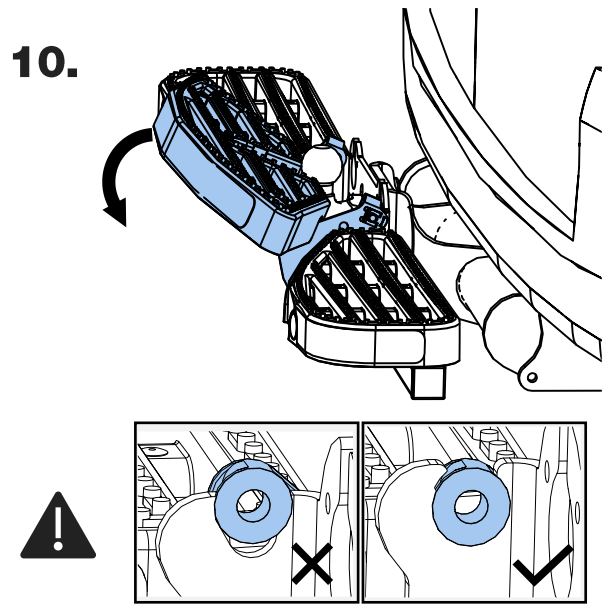
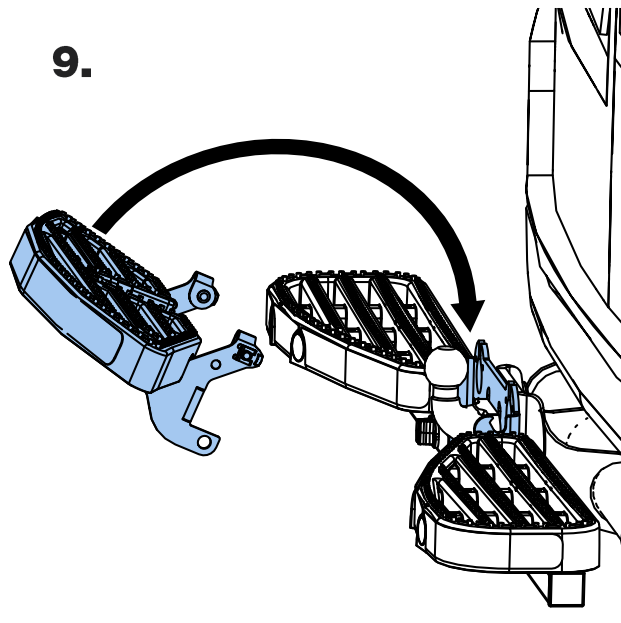


(Dixon Bate Only)

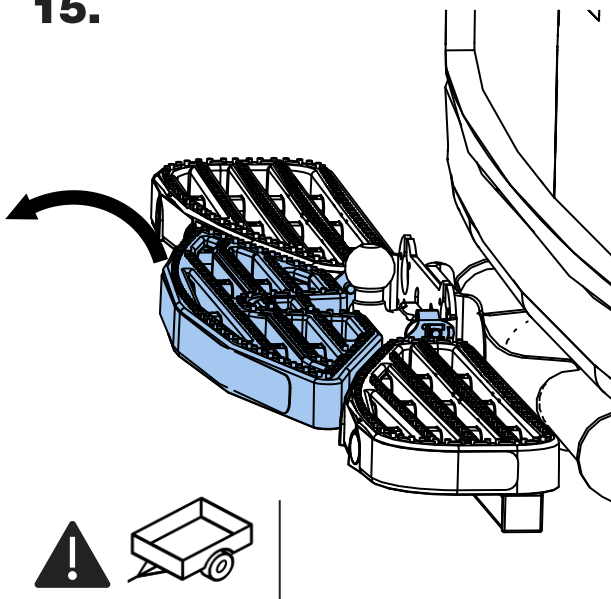


6.





15.



16.

