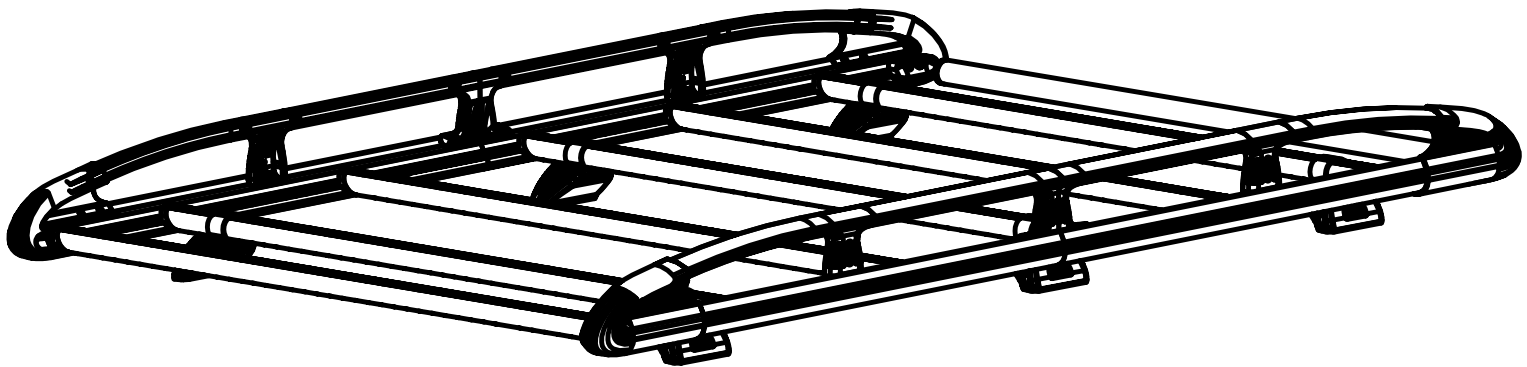


<b>ISSUE:</b>	<b>DRAWN BY:</b>	<b>CHECKED BY:</b>	<b>CRF No:</b>	<b>DATE:</b>	<b>DESCRIPTION:</b>
a	MK	KB	2846	06/12/22	First Issue
b	MK	KB	2965	01/06/23	Replaced FS027 with FS081
c	YZL	KB	3308	29/07/24	Updated instructions to show new black KammRack codes.
d					
e					
f					
g					
h					
i					
j					
k					
l					
m					

# I43KR

# KammRack

## Instructions

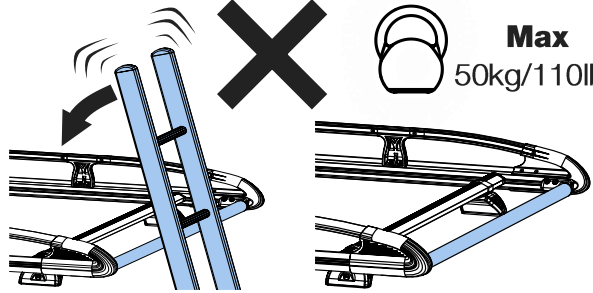
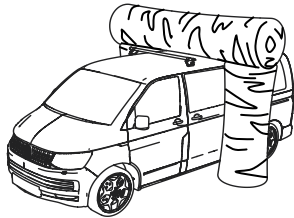
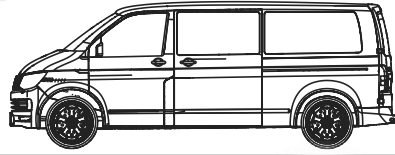


**CITY CRASH** (✓)

According to ISO/ PAS 11154:2006

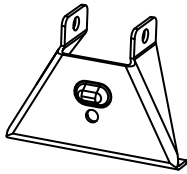
**I43KR:**

**IVECO** Daily, 2014-

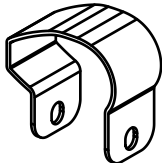


**Max**  
50kg/110lbs

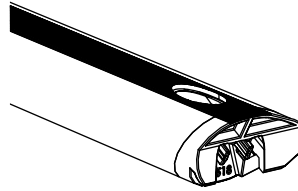
## KammRack



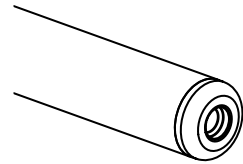
**MS1632 x 6**



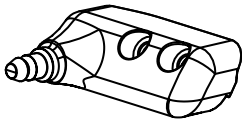
**MS1142 x 6**



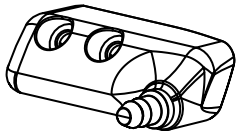
**SA429/  
SA467**



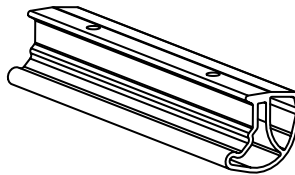
**SA436 x 1**



**PS519 x 1**



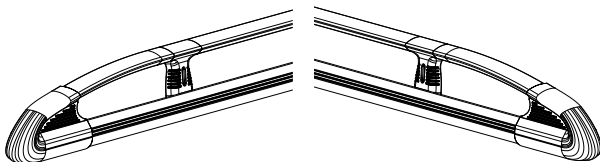
**PS520 x 1**



**EXT15-02**

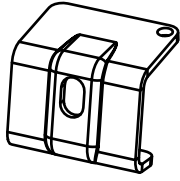
**LHS x 2**

**RHS x 2**

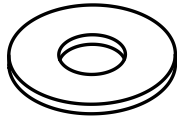


**ASF x 1**

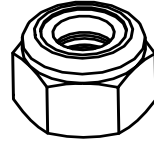
# Fitting Kit



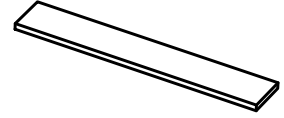
20186003 x 6



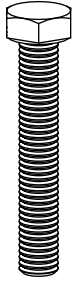
FW002 (M8) x 24



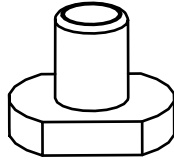
FN006 (M8) x 12



PS006-120 x 6



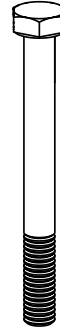
FS081  
(M8 x 50)  
x 6



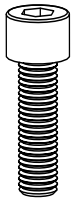
FN085 x 18



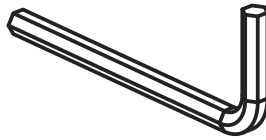
FT05 x 1



FB003  
(M8 x 65)  
x 6

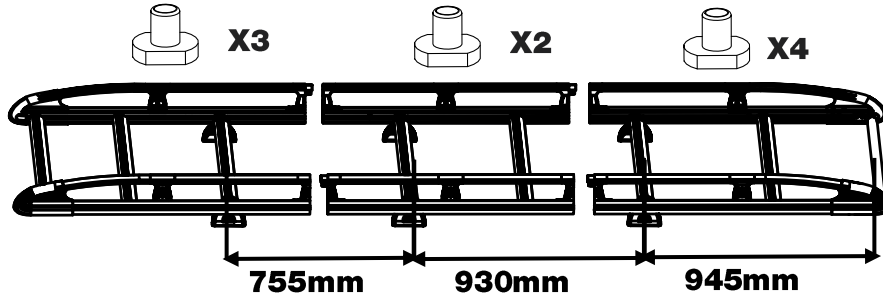
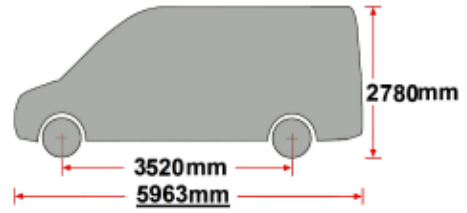
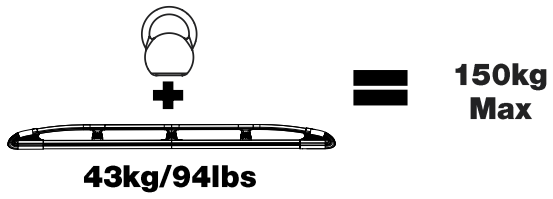


FS059   
(M8 x 25) x 18

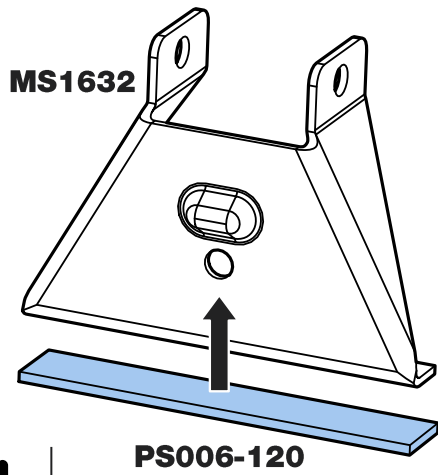


FT01 x 1

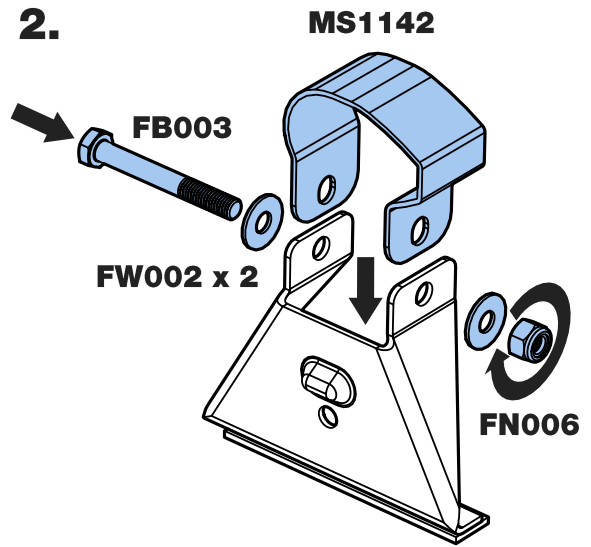
# K640/B640- Iveco Daily 2014- L3, H3, Twin Doors.



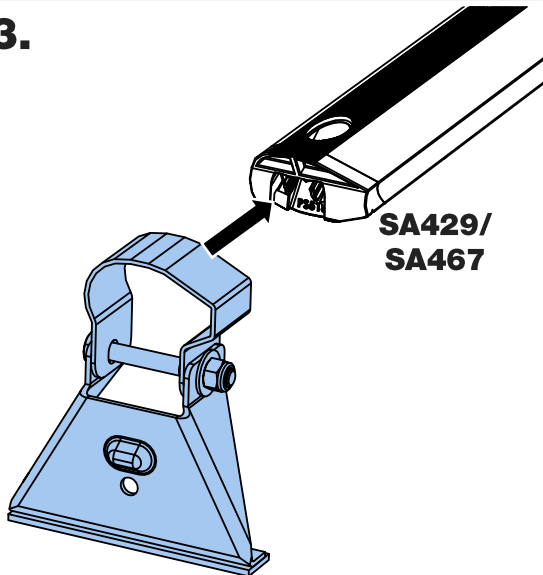
1.



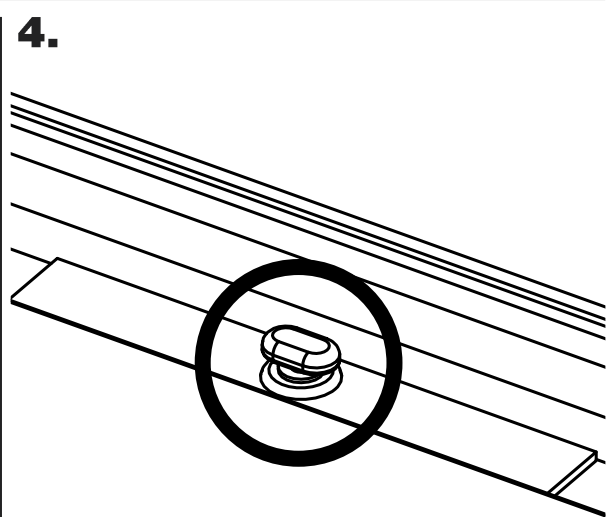
2.



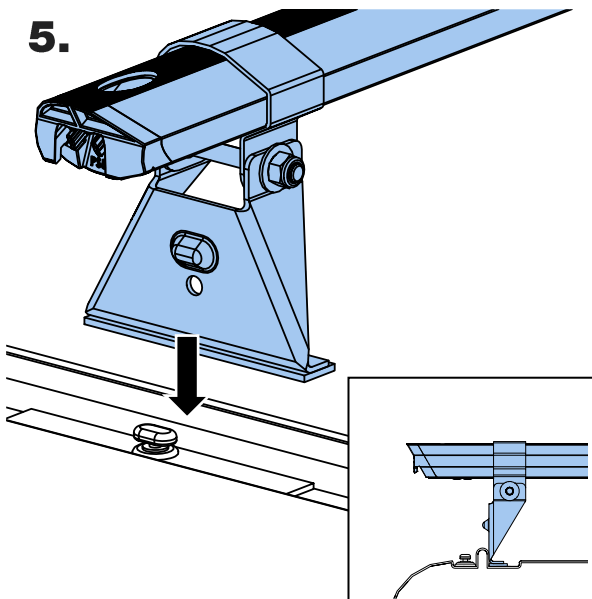
3.



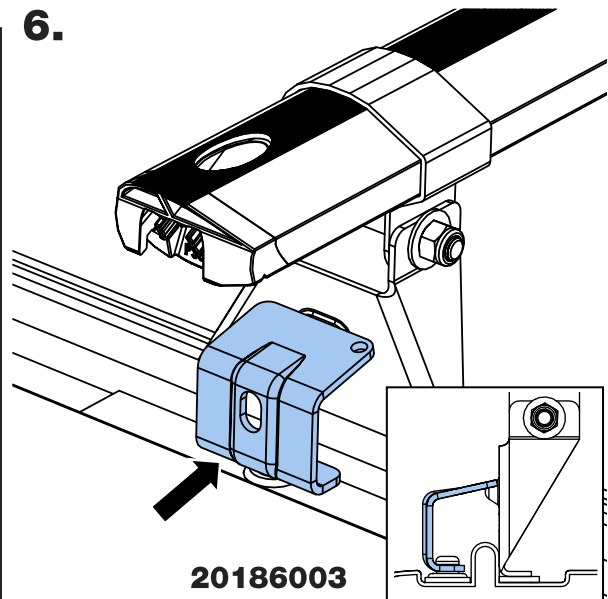
4.

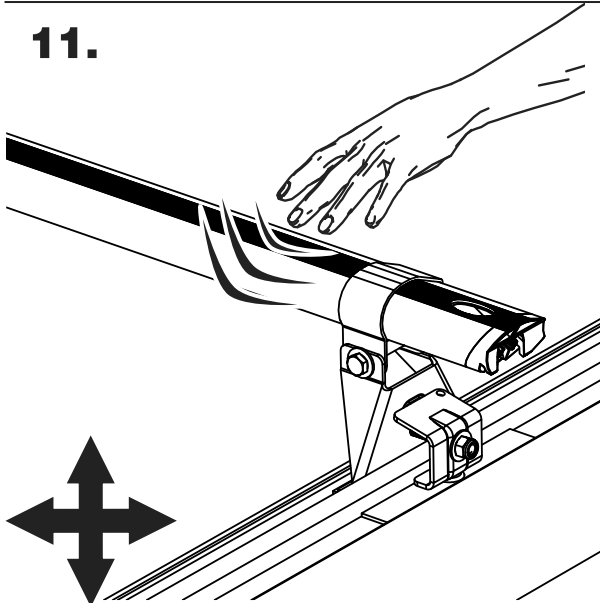
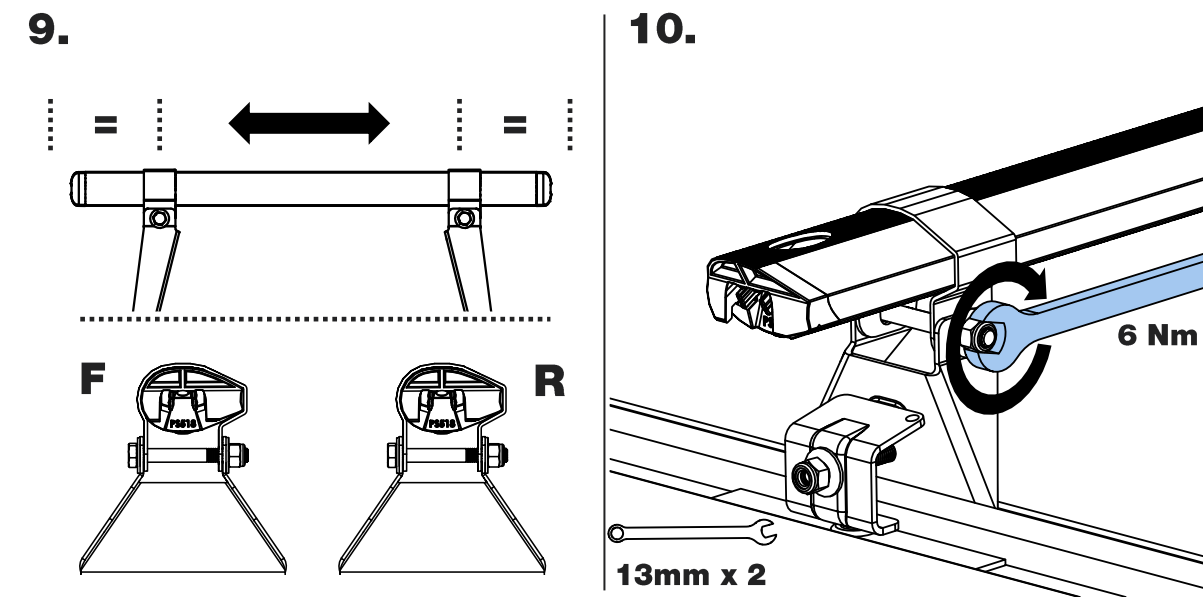
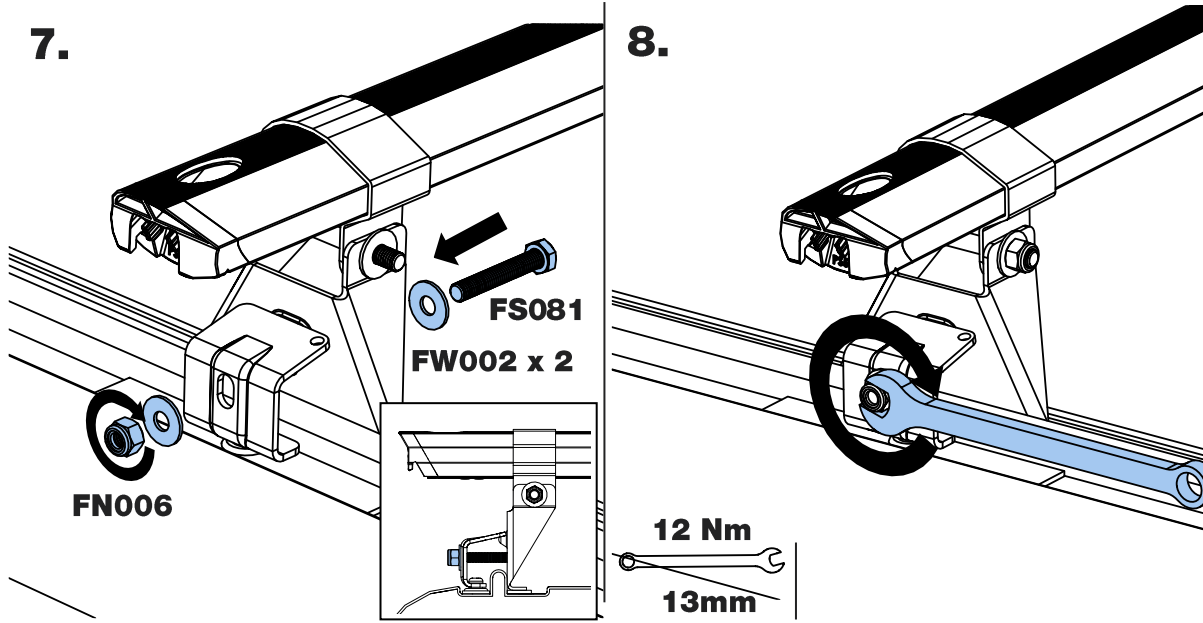


5.

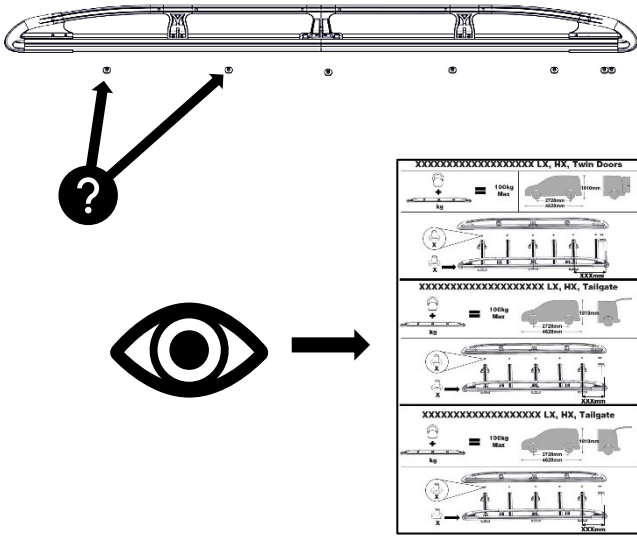


6.

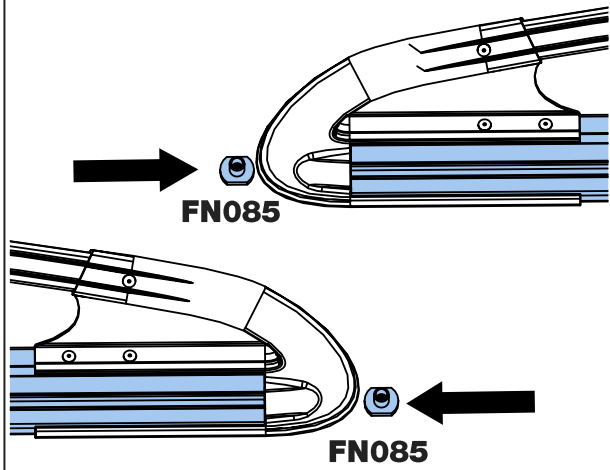




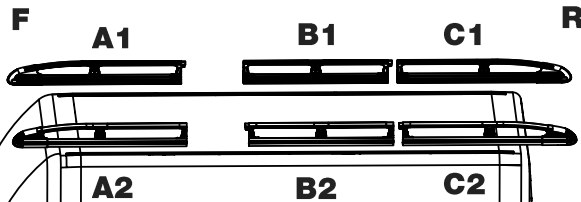
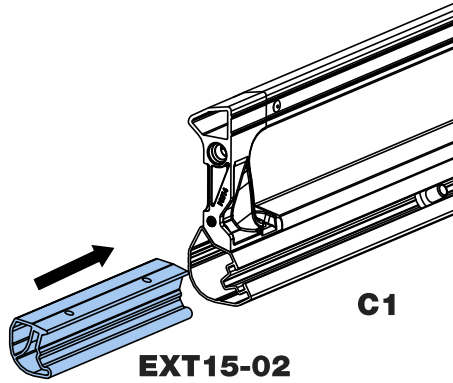
12.



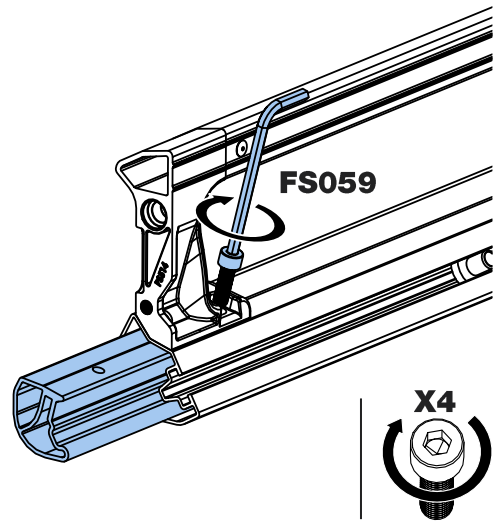
13.



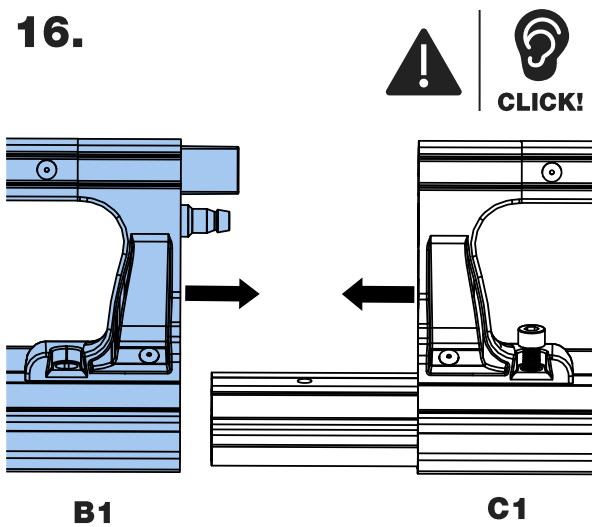
14.



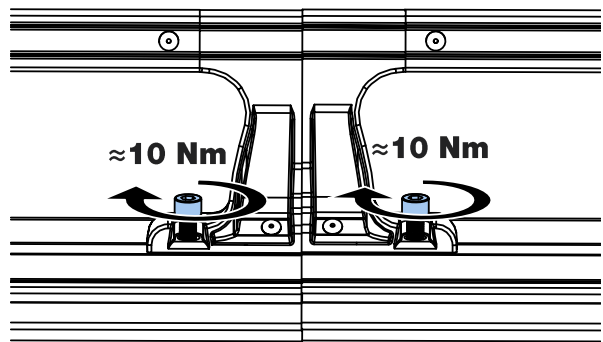
15.



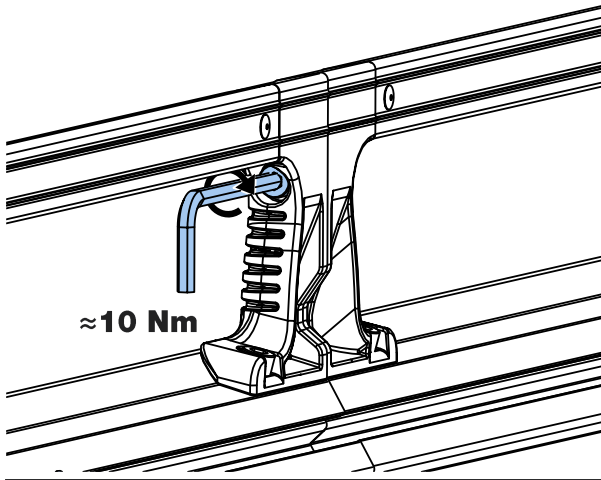
16.



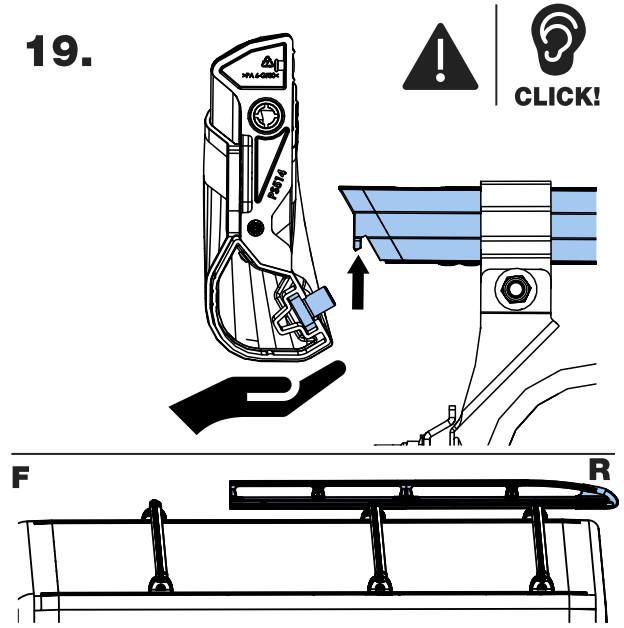
17.



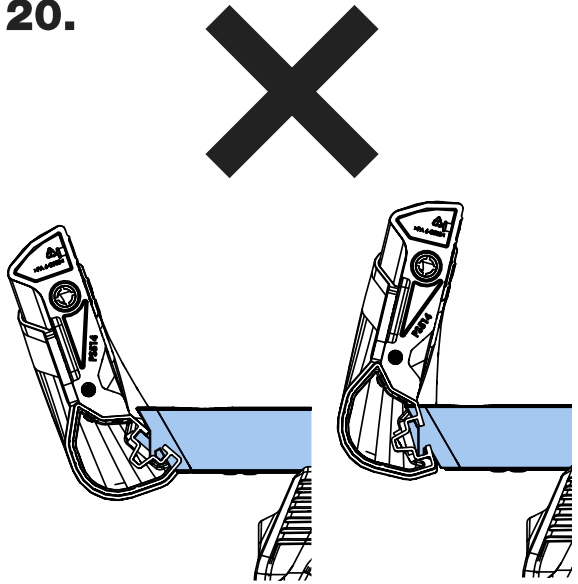
18.



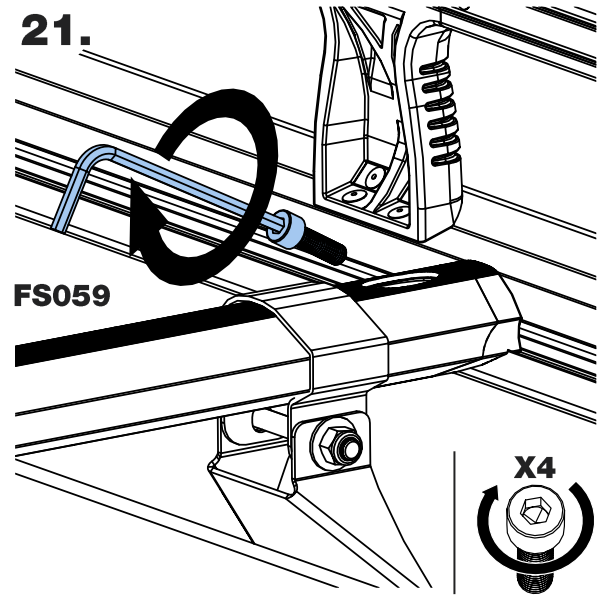
19.



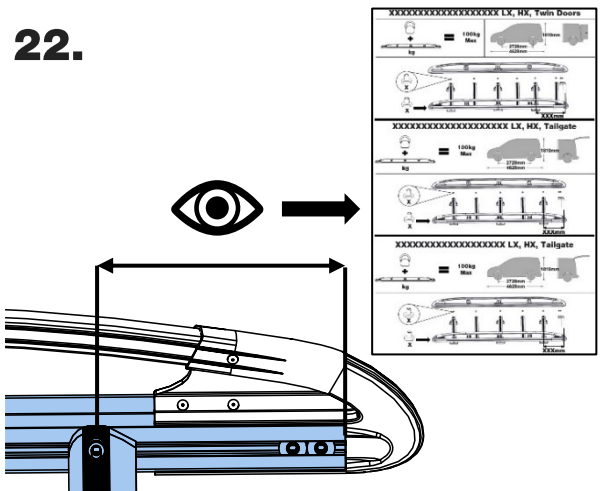
20.



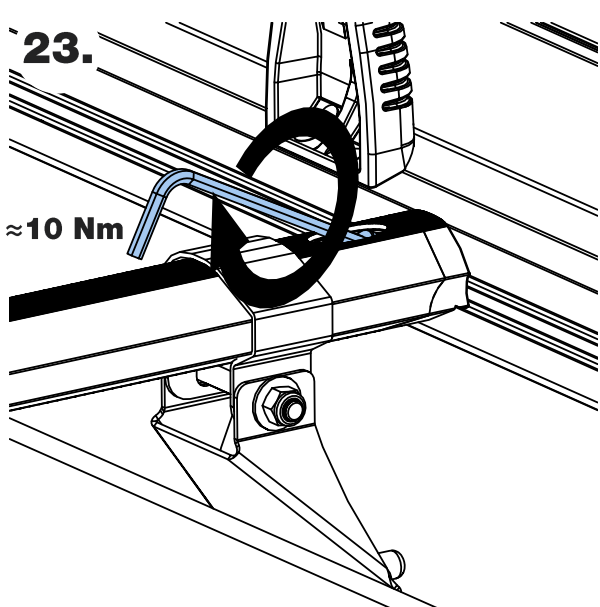
21.



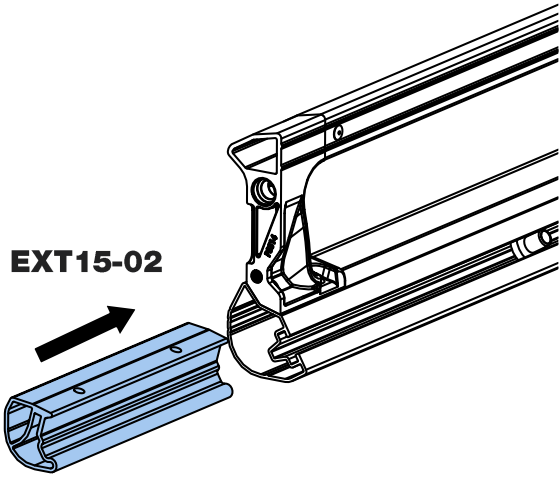
22.



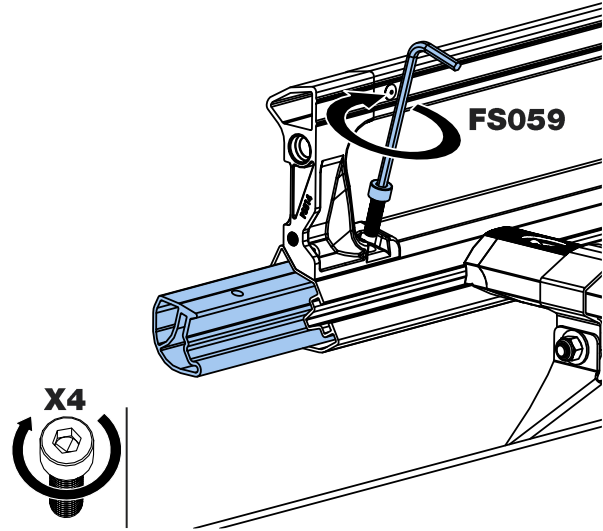
23.



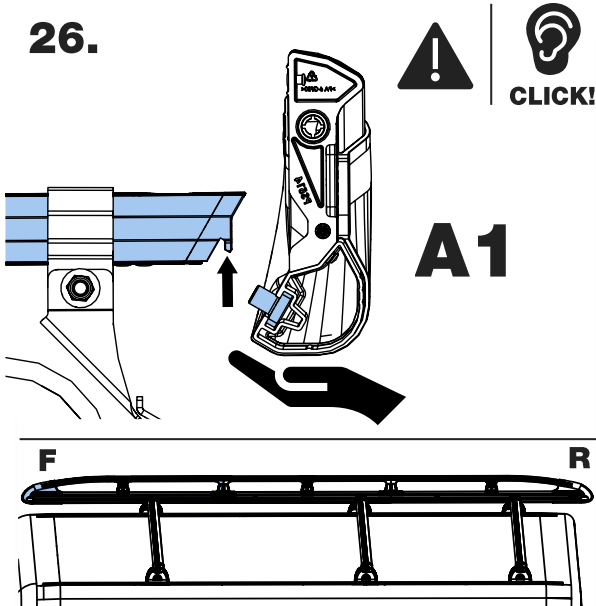
24.



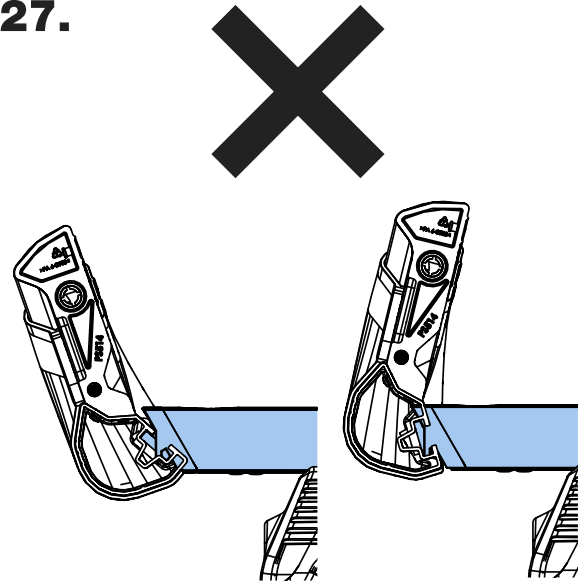
25.



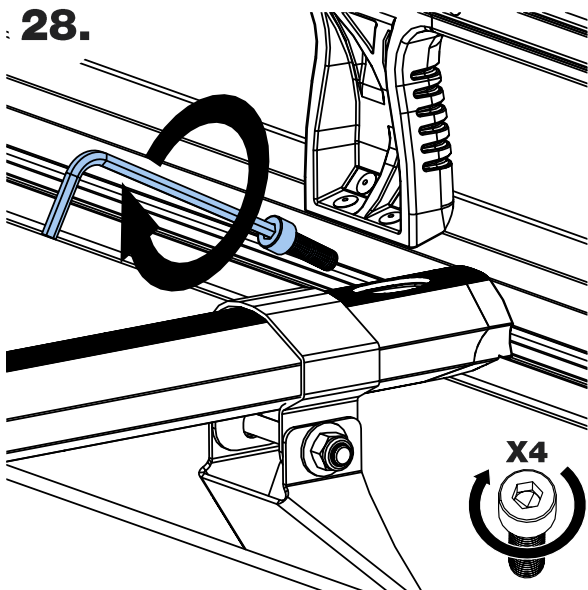
26.



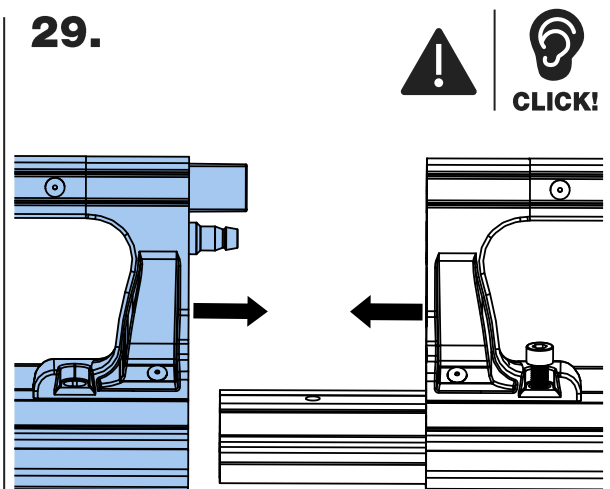
27.



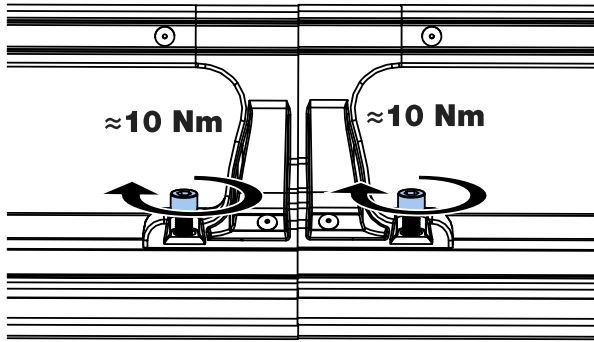
28.



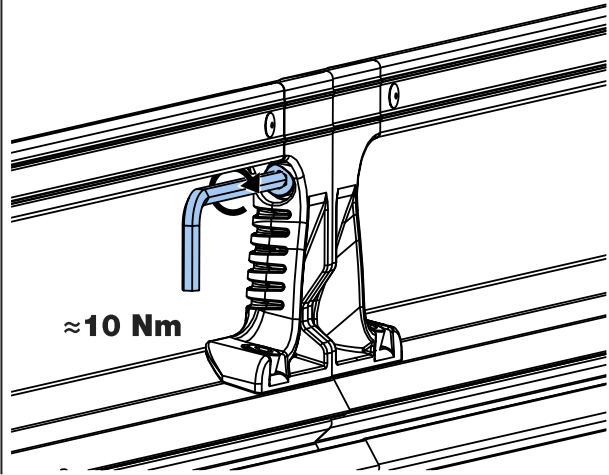
29.



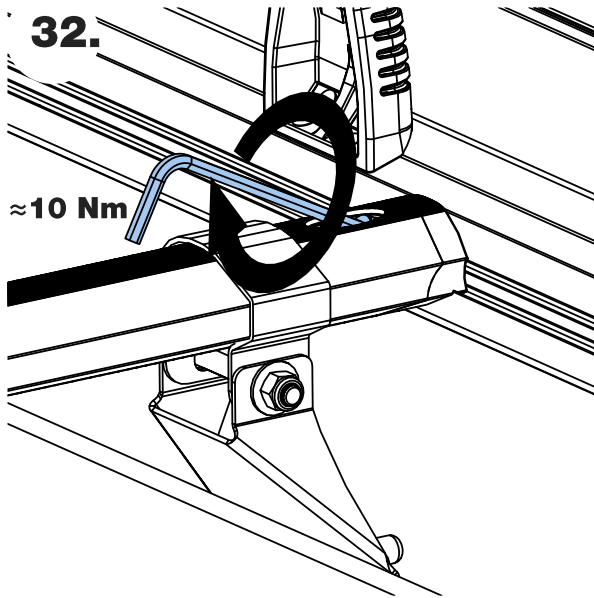
30.



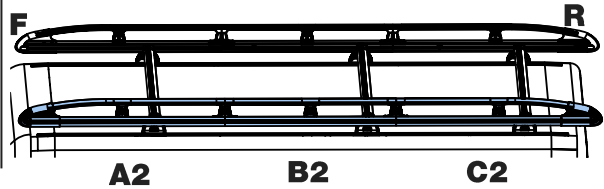
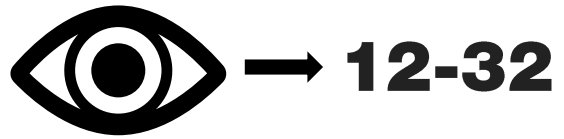
31.



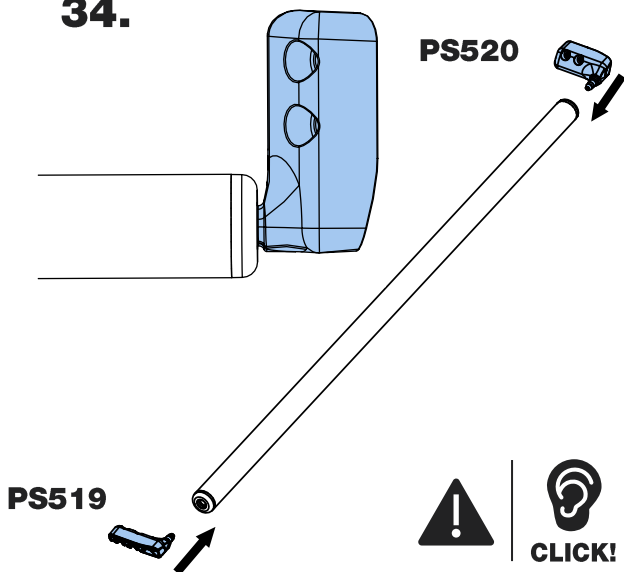
32.



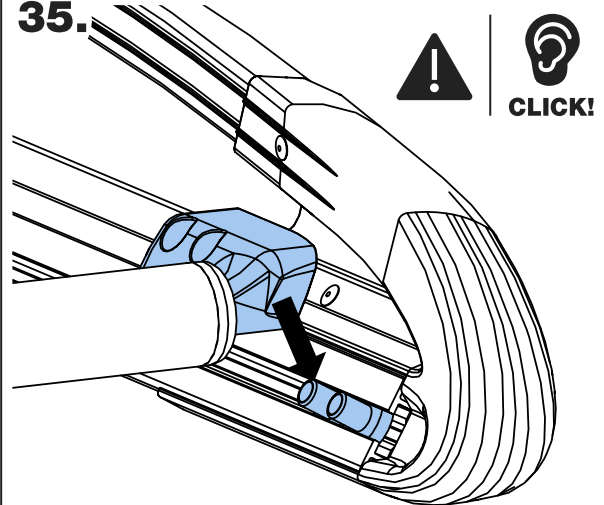
33.



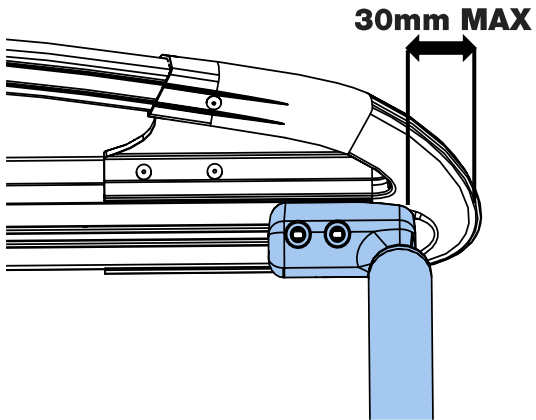
34.



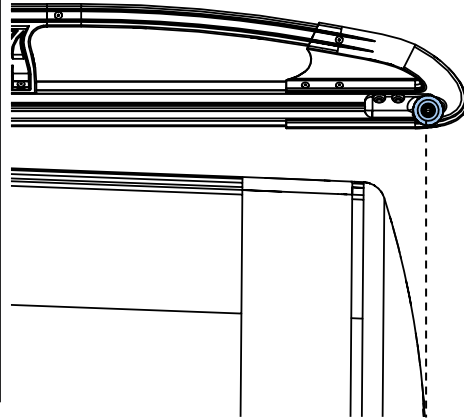
35.



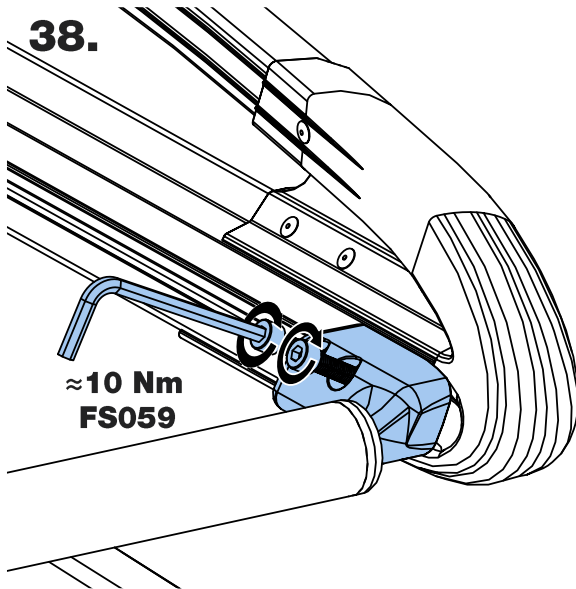
36.



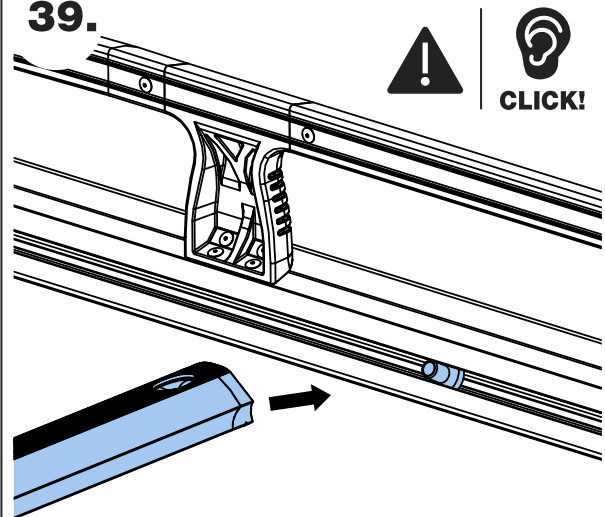
37.



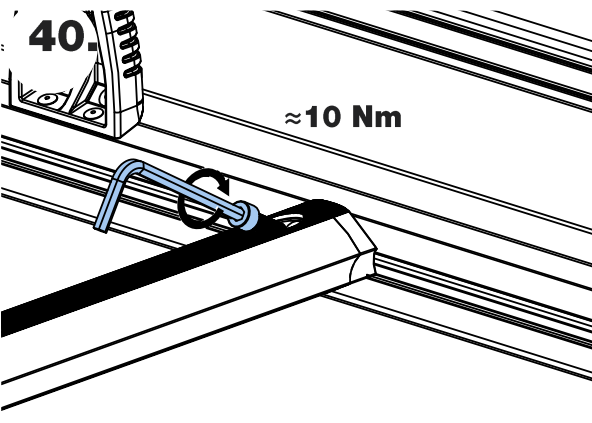
38.



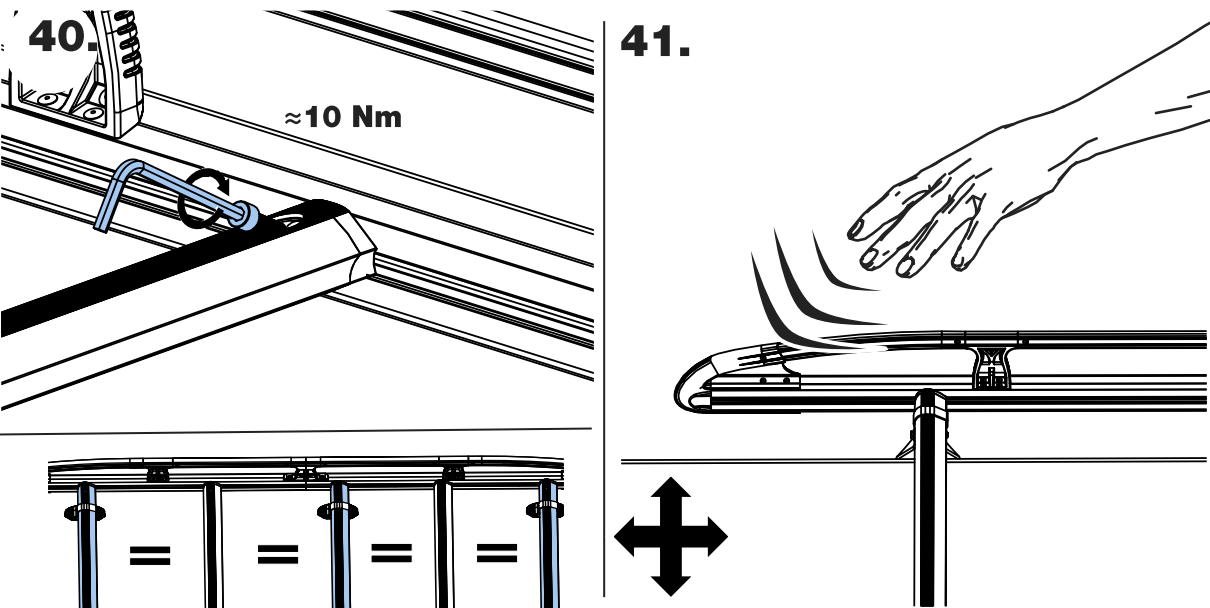
39.



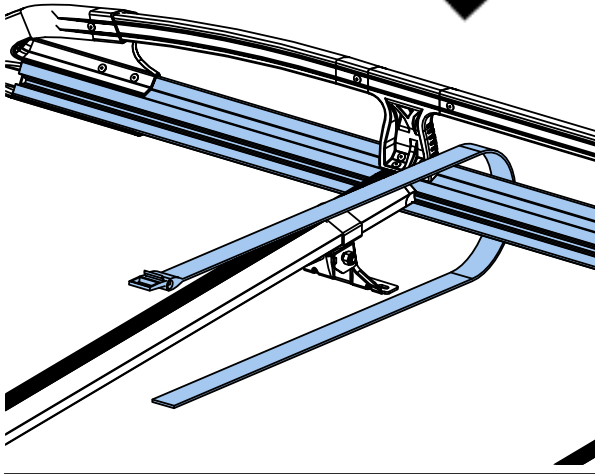
40.



41.



**42.**



**43.**

