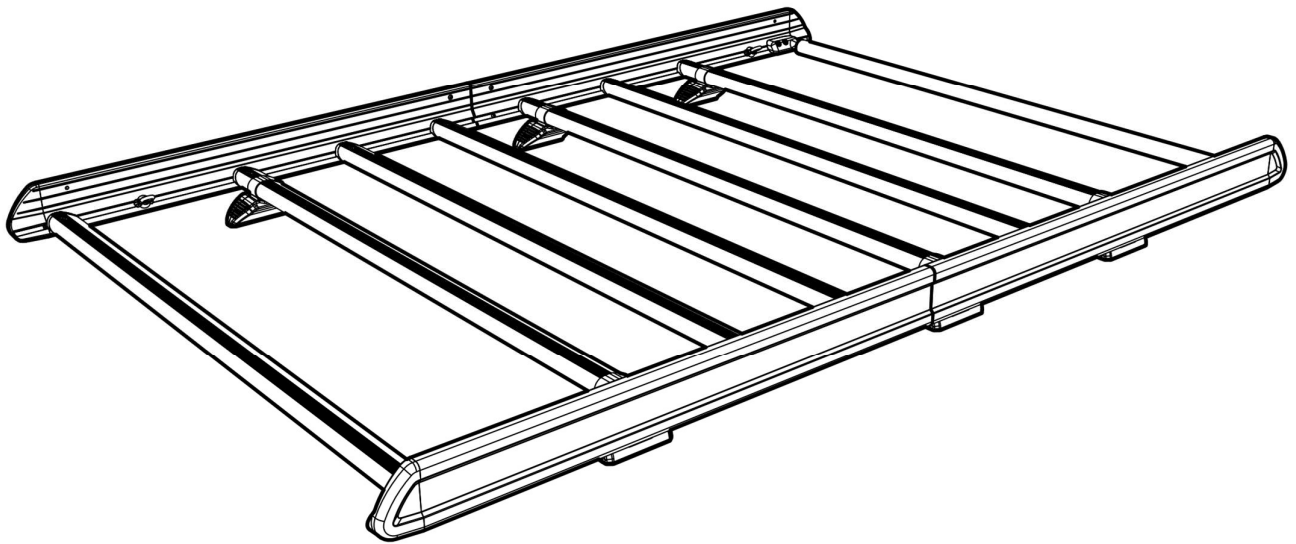


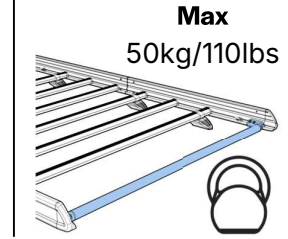
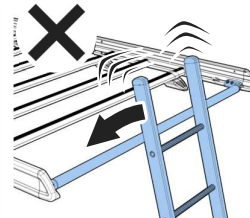
Issue:	Drawn By:	Checked By:	CRF No.:	Date:	Description:
a	SJ	KB	3609	21/10/25	First Issue
b					
c					
d					

TA4KE

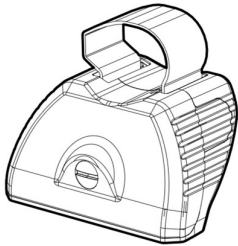
KammEdge.

Instructions

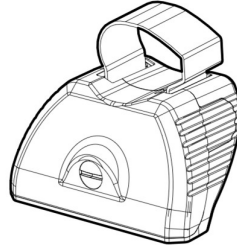




KammEdge.



SA397U x 4



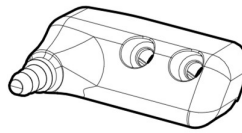
SA398U x 4



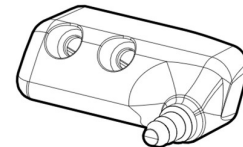
SA428/SA466 x 5



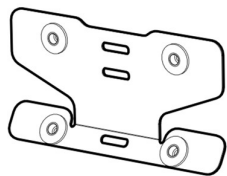
SA436 x 1



PS519 x 1



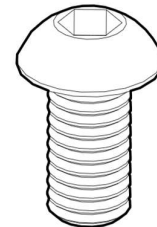
PS520 x 1



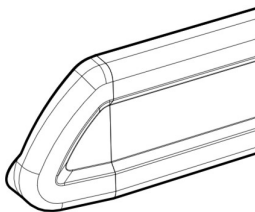
SA610 x 2



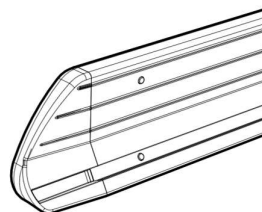
PS635 x 2



**FS323
(M6 x 16) x 8**



LSF (L) x 2

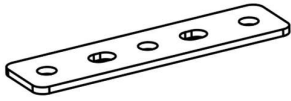


LSF (R) x 2

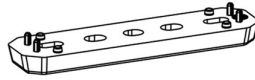


C04 x 8
optional upgrade

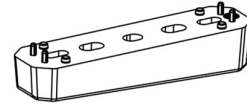
Fitting Kit



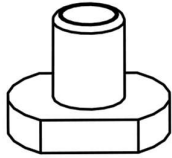
PS023 x 8



PS178 x 4



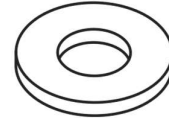
PS176 x 4



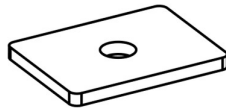
FN085 x 14



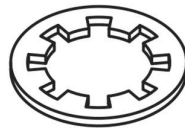
FN006 (M8) x 6



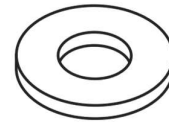
FW002 (M8) x 8



PS020 x 6



FW008 (M6) x 2



FW001 (M6) x 2



FS107
(M8 x 75) x 2



FS105
(M8 x 55) x 2



FS101
(M8 x 45) x 2



FB001
(M6 x 55) x 2



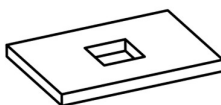
FT01 x 1



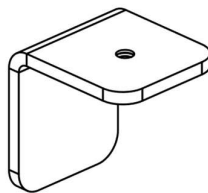
FT05 x 1



FS059
(M8 x 25) x 14



MS209 x 6



MS390 x 2



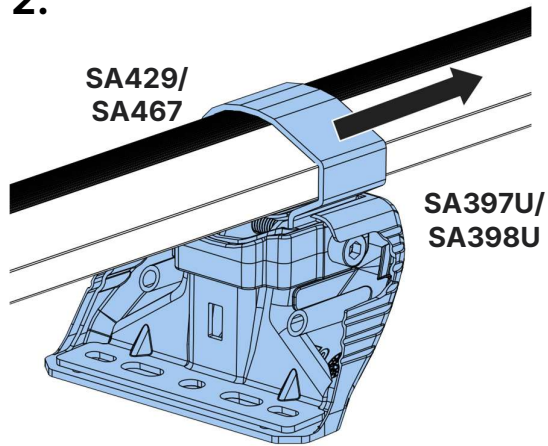
LR046 x 2



1.



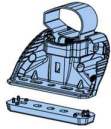
2.



3.



SA397U
PS176



SA397U
PS178

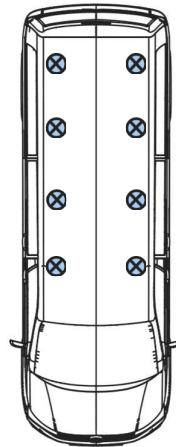


SA397U
PS178



SA397U
PS176

R

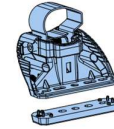


F

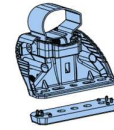
SA398U
PS176



SA398U
PS178



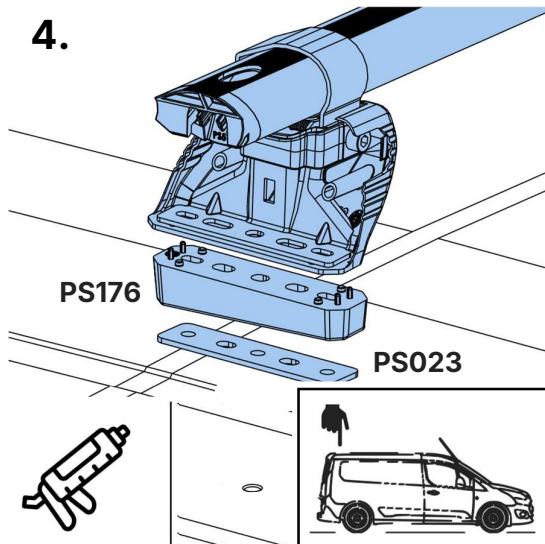
SA398U
PS178



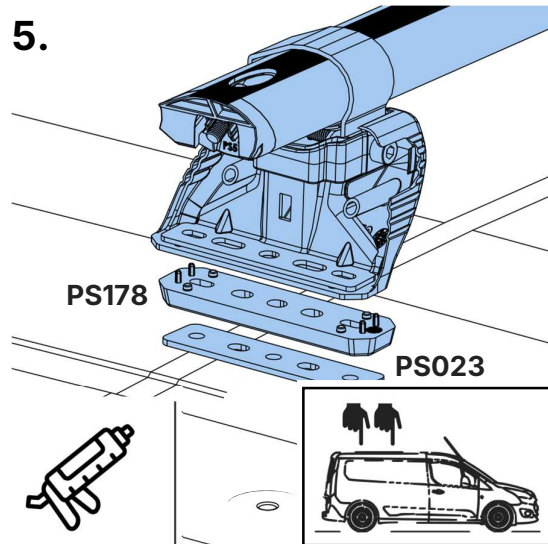
SA398U
PS176

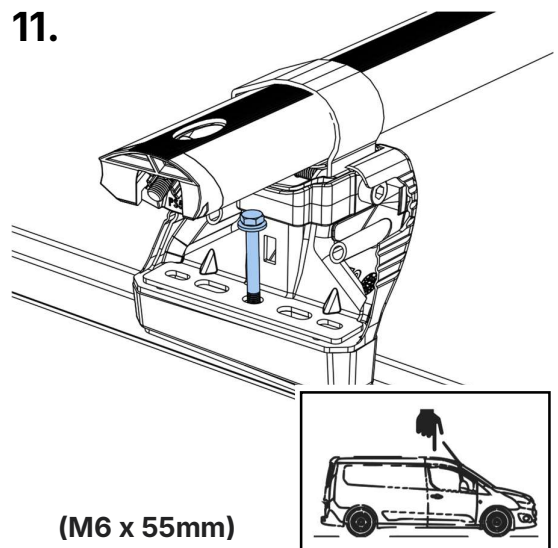
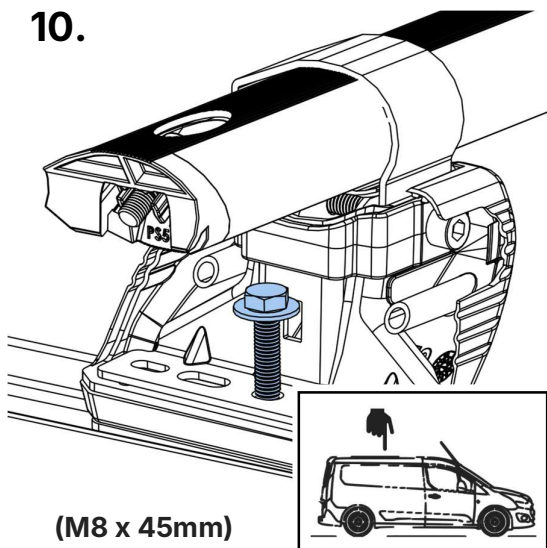
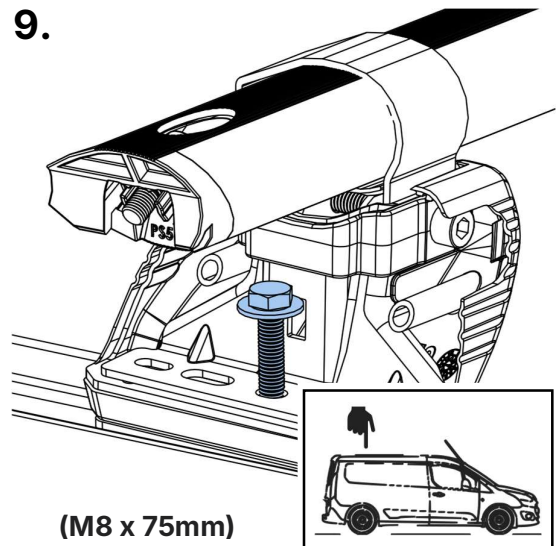
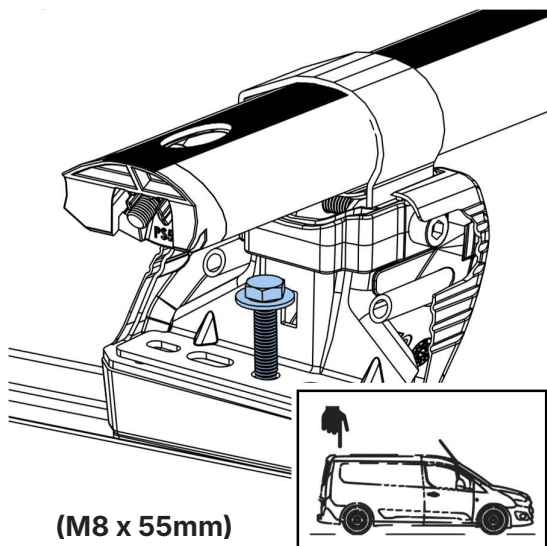
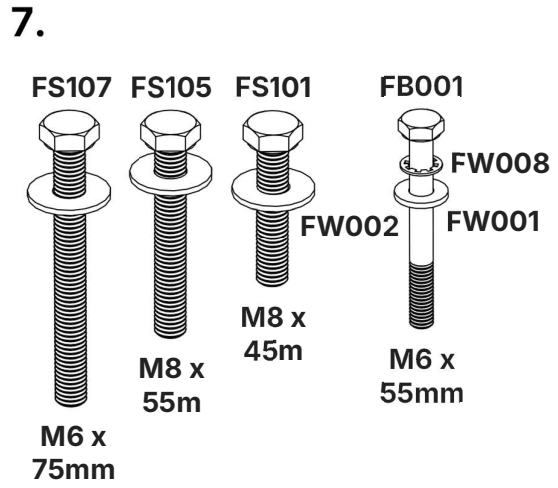
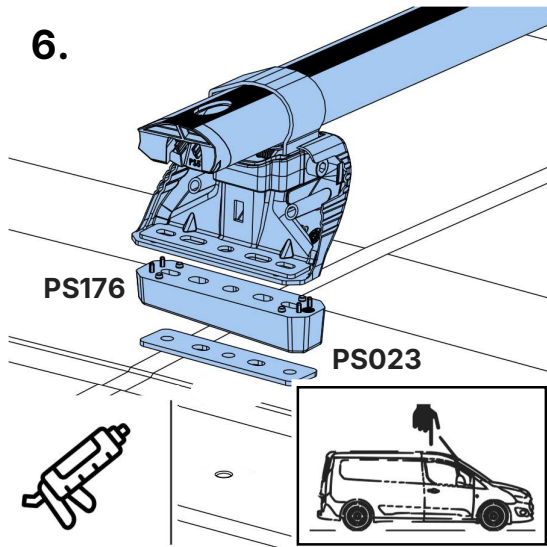


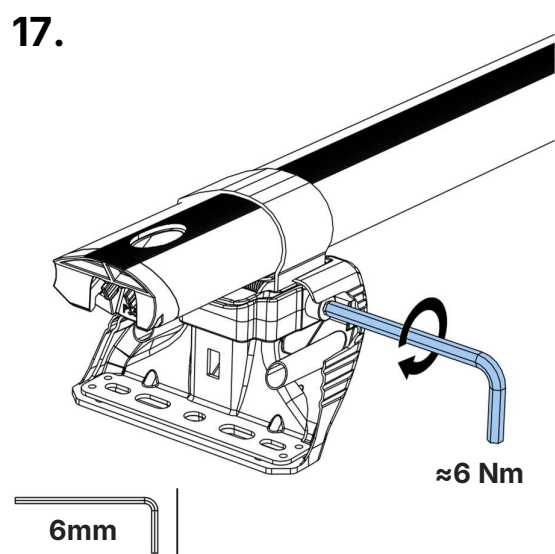
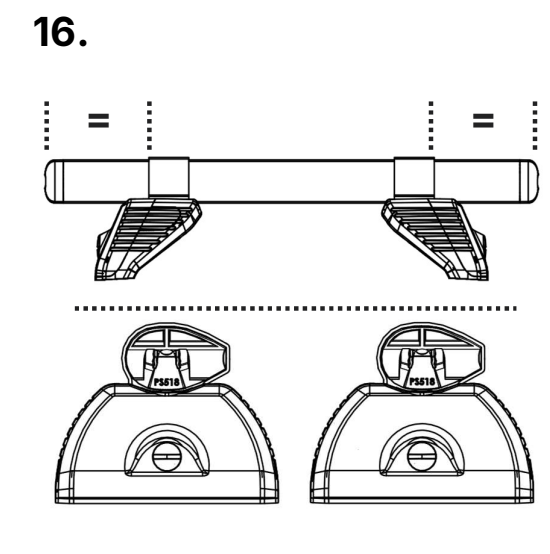
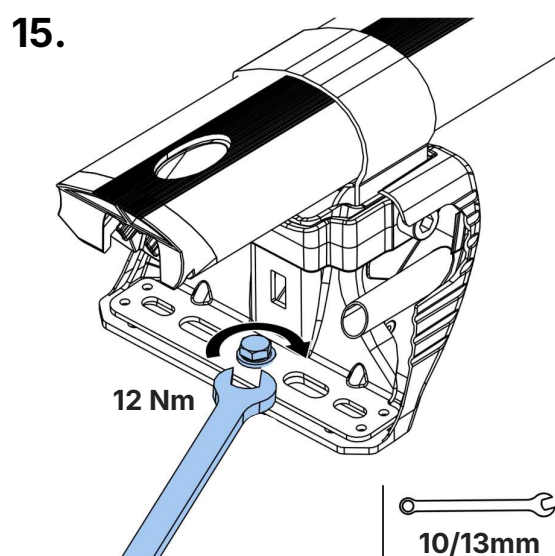
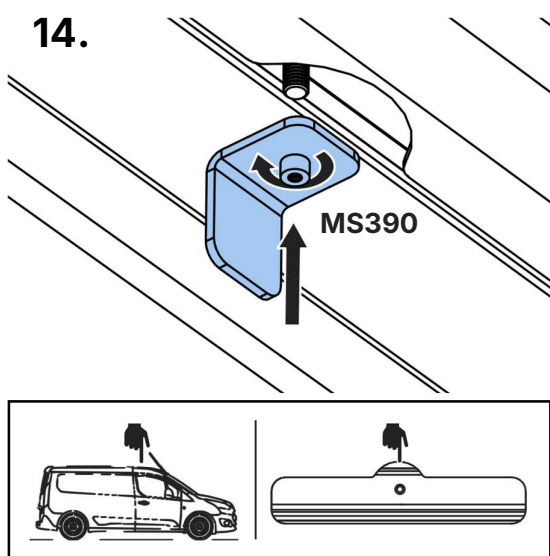
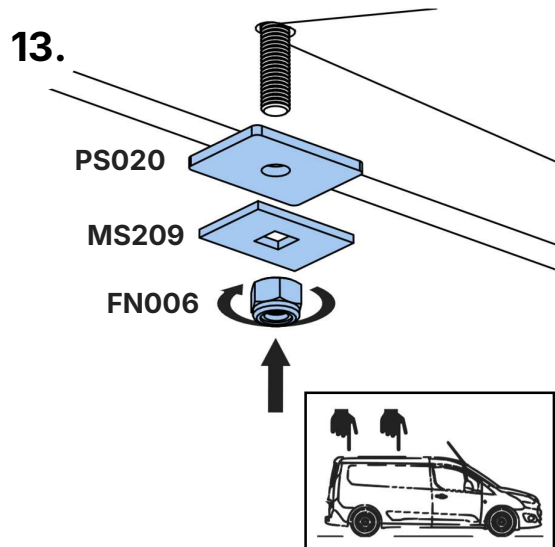
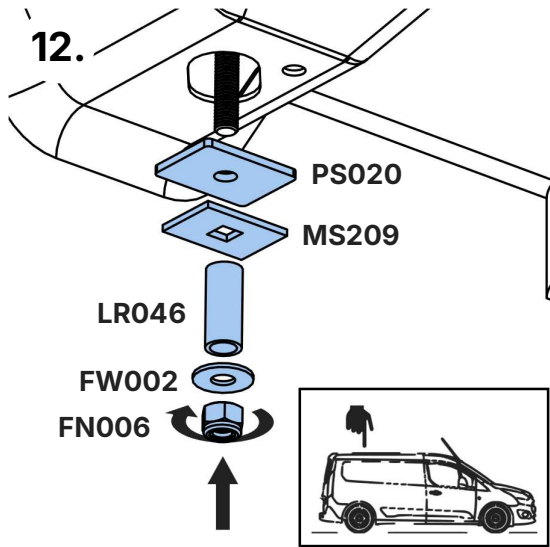
4.

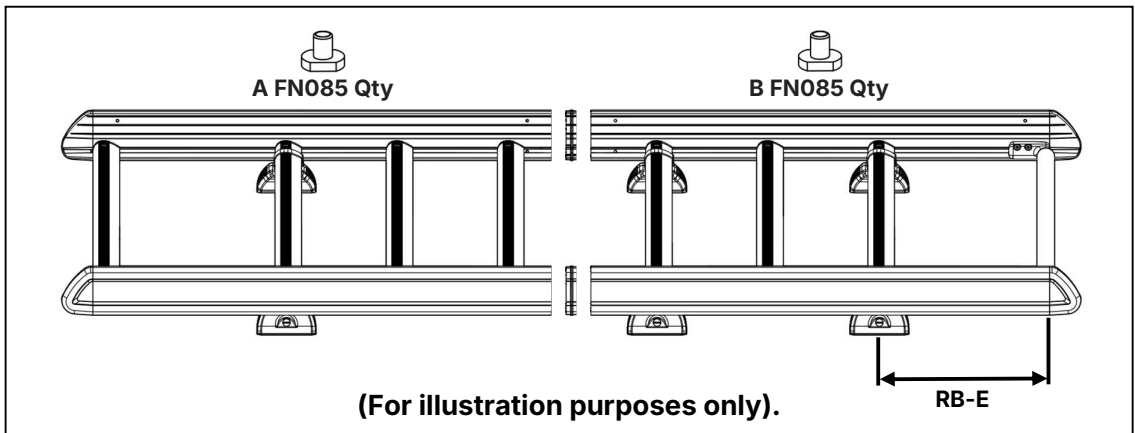
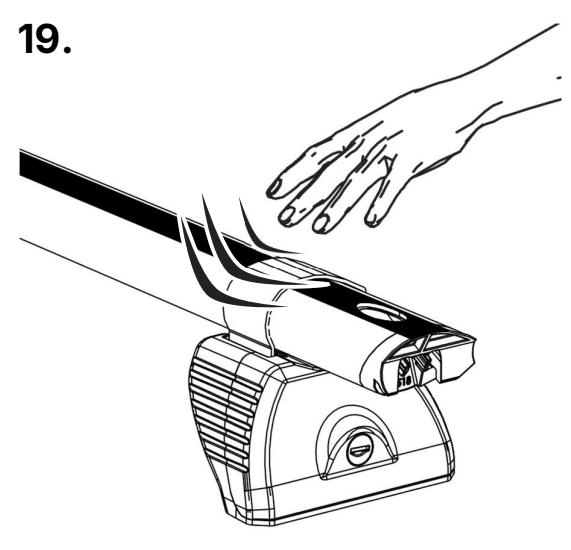
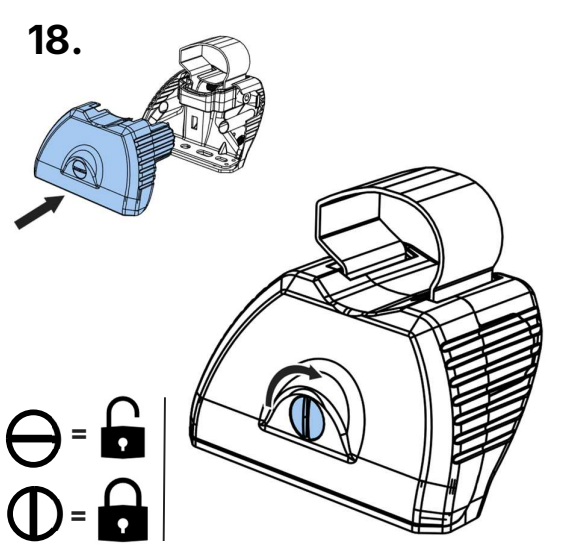


5.



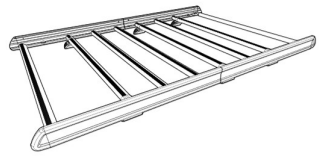




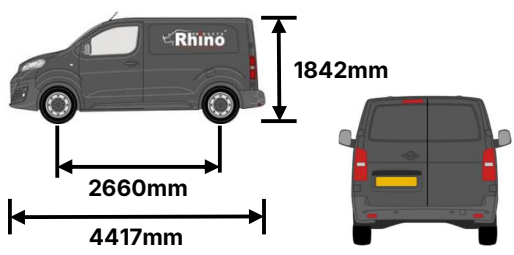


L621/LB621- Connect 2013-2023, L1-H1 (Twin)

Max Load = 150kg/330lbs

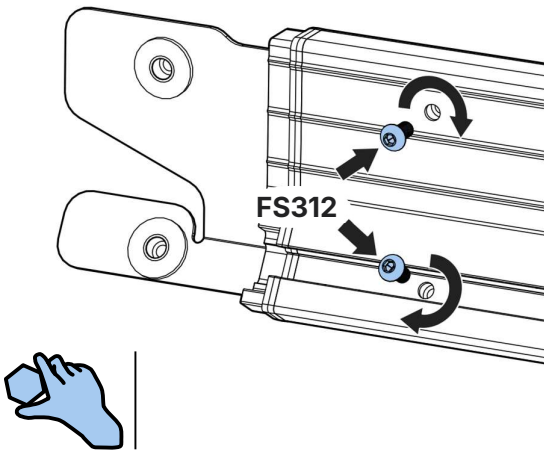


L621/LB621 = 19kg/42lbs

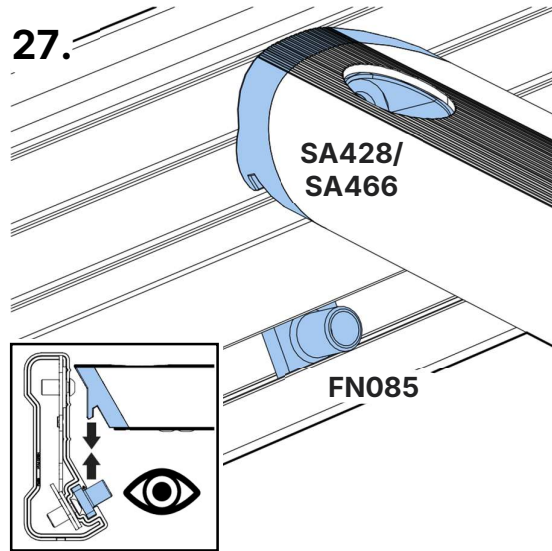


A FN085 Qty	B FN085 Qty	Rear Bar – End (mm)
3	4	350

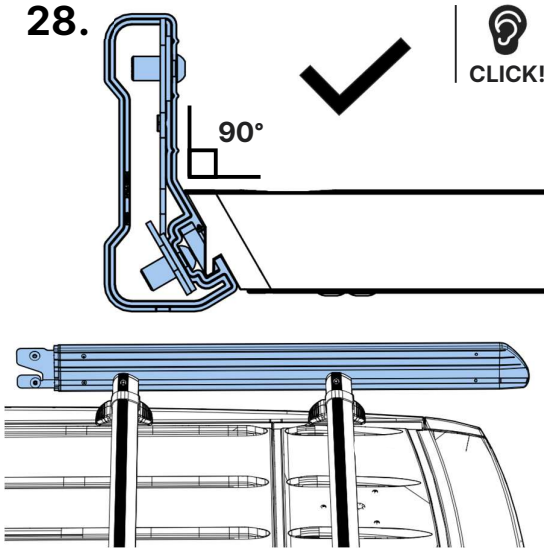
26.



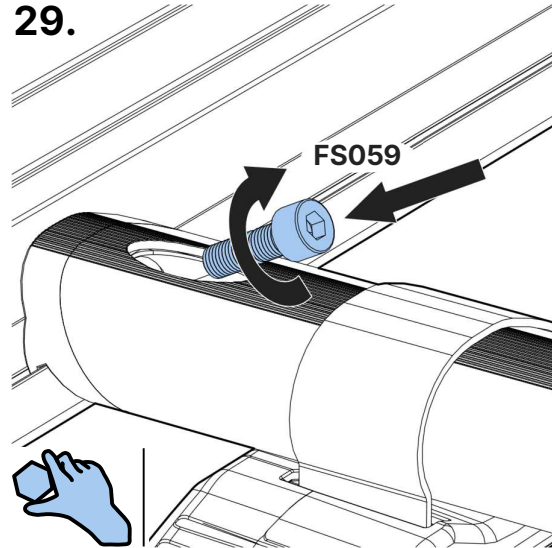
27.



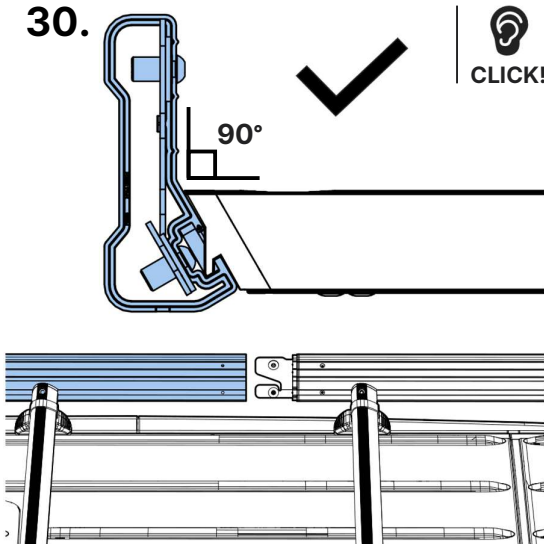
28.



29.



30.



31.

