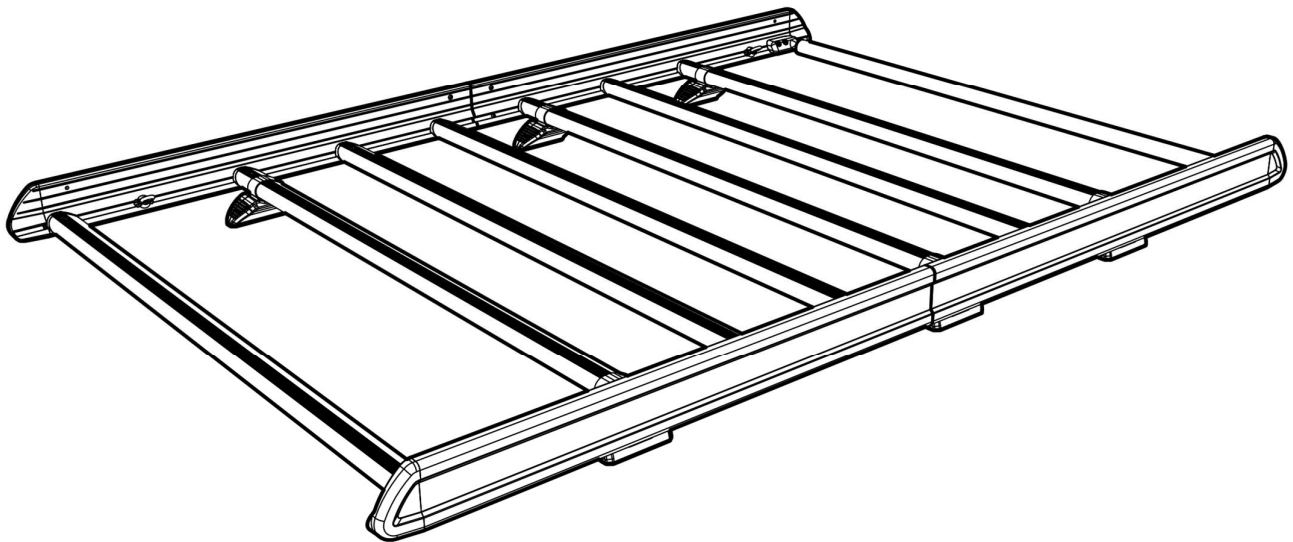


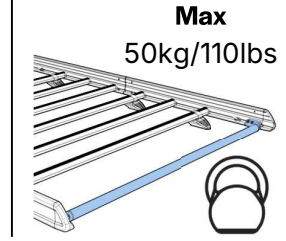
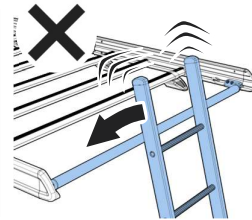
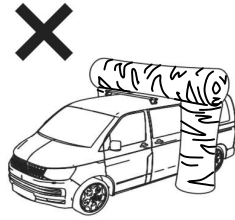
Issue:	Drawn By:	Checked By:	CRF No.:	Date:	Description:
a	SJ	KB	3609	21/10/25	First Issue
b					
c					
d					

P2KE

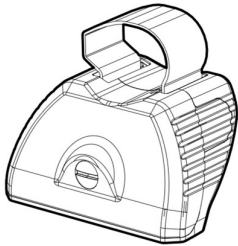
KammEdge.

Instructions

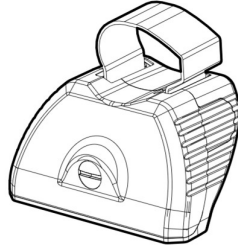




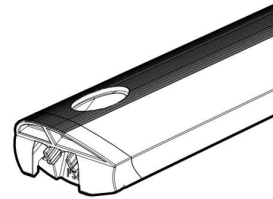
KammEdge.



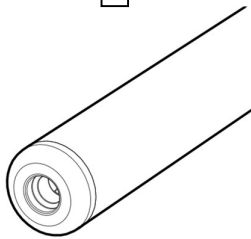
SA397U x 2



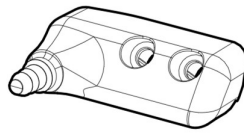
SA398U x 2



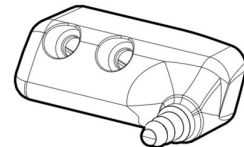
SA428/SA466 x 5



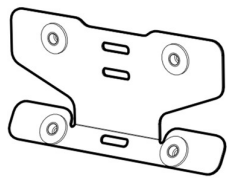
SA436 x 1



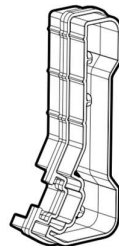
PS519 x 1



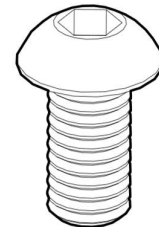
PS520 x 1



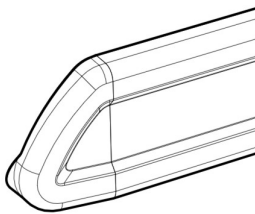
SA610 x 2



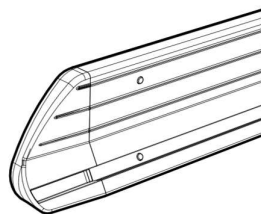
PS635 x 2



**FS323
(M6 x 16) x 8**



LSF (L) x 2

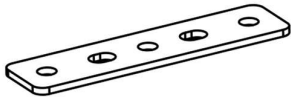


LSF (R) x 2

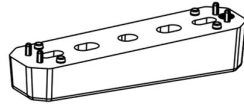


C04 x 4
optional upgrade

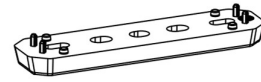
Fitting Kit



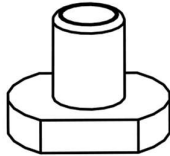
PS023 x 4



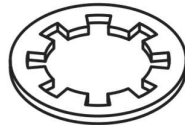
PS176 x 2



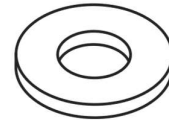
PS178 x 2



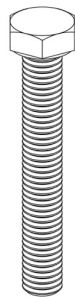
FN085 x 14



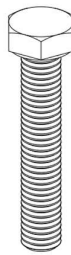
FW009 (M8) x 4



FW002 (M8) x 4



FS081
(M8 x 50) x 2



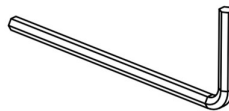
FS061
(M8 x 35) x 2



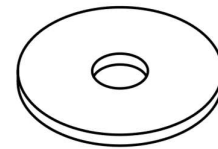
FS059
(M8 x 25) x 14



FT01 x 1



FT05 x 1



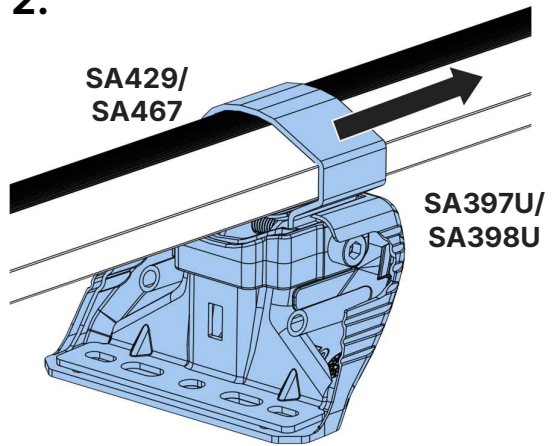
PS153 (M8) x 4



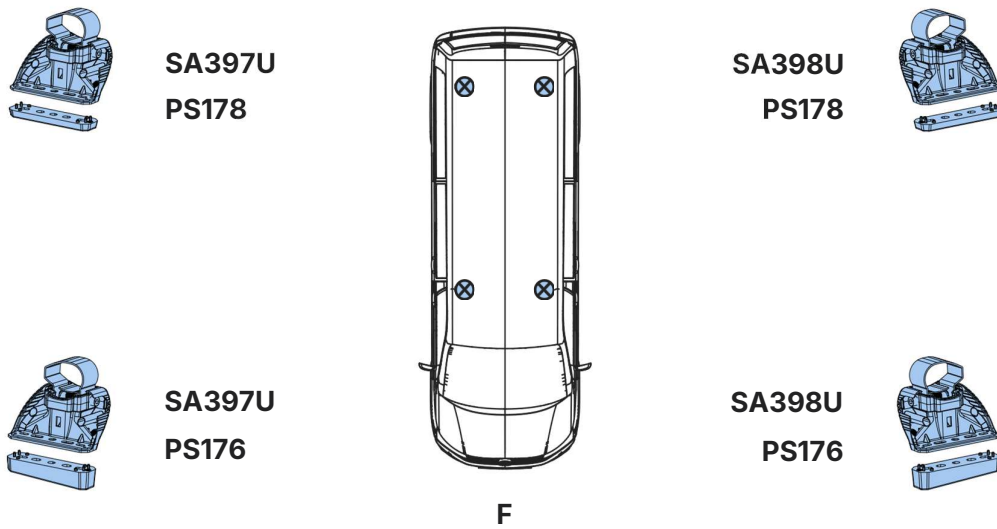
1.



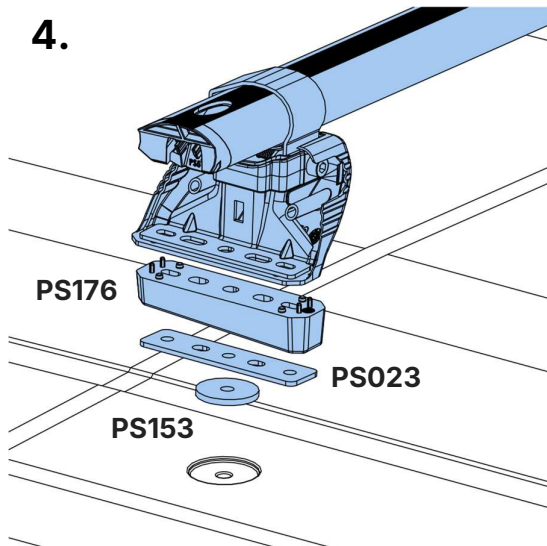
2.



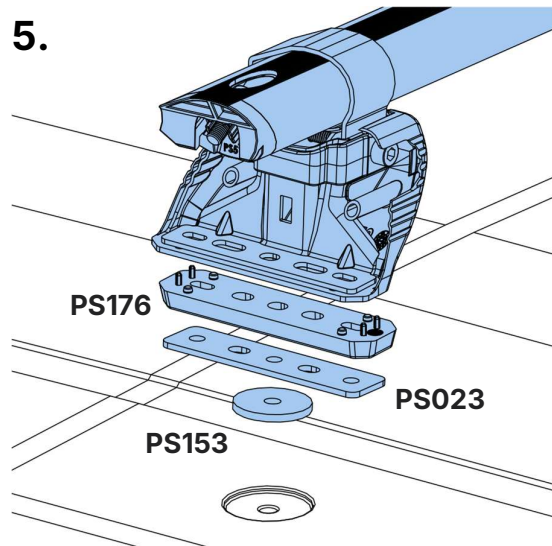
3.



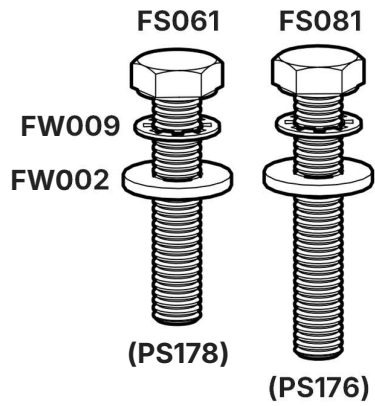
4.



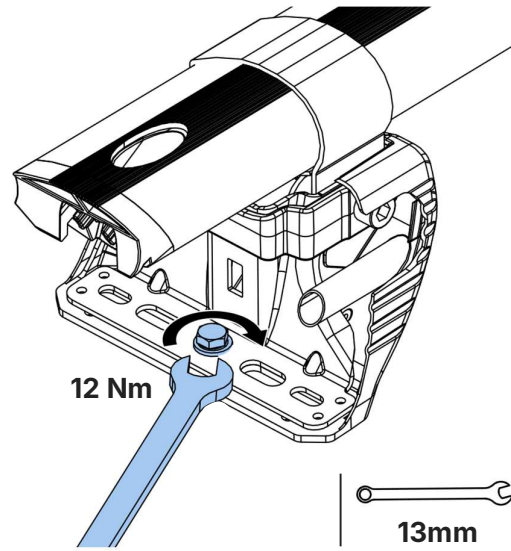
5.



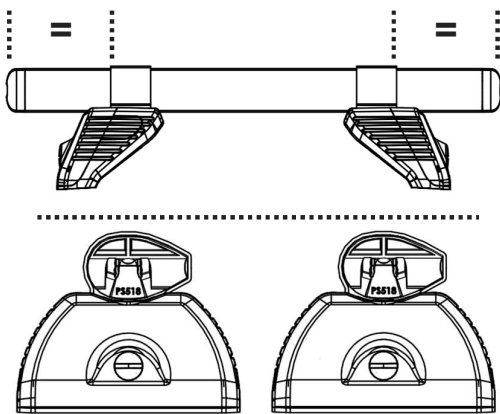
6.



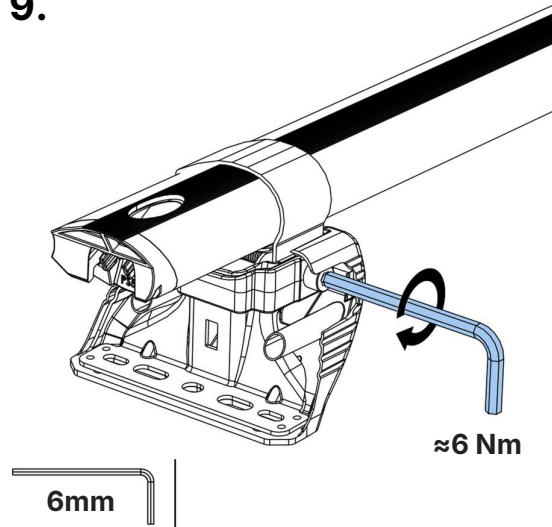
7.



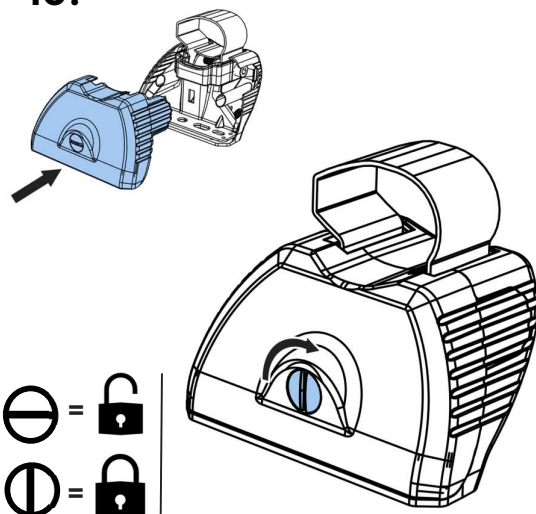
8.



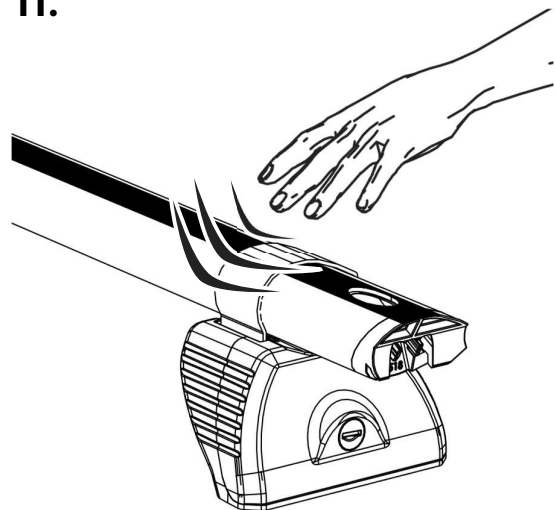
9.

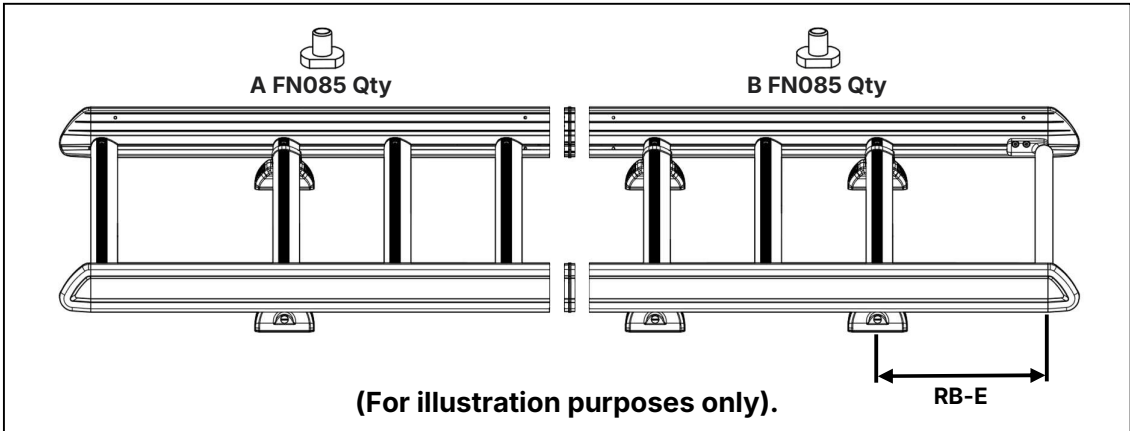



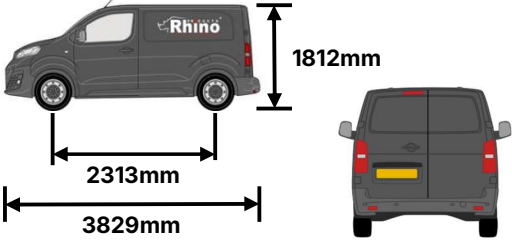
10.


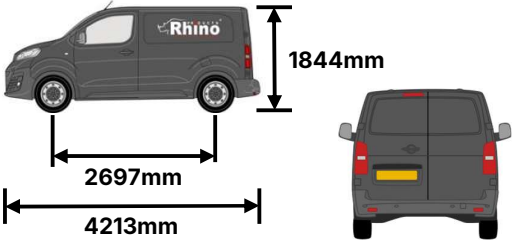


11.

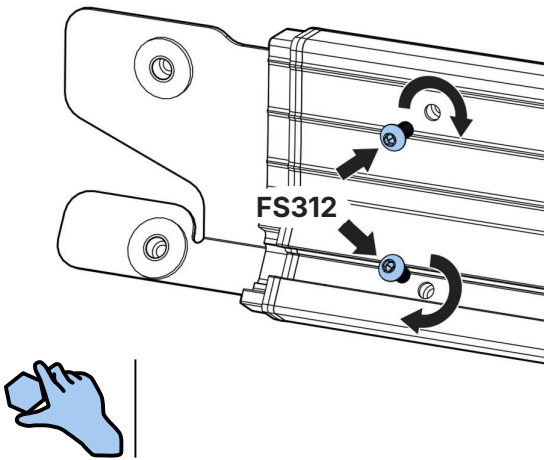




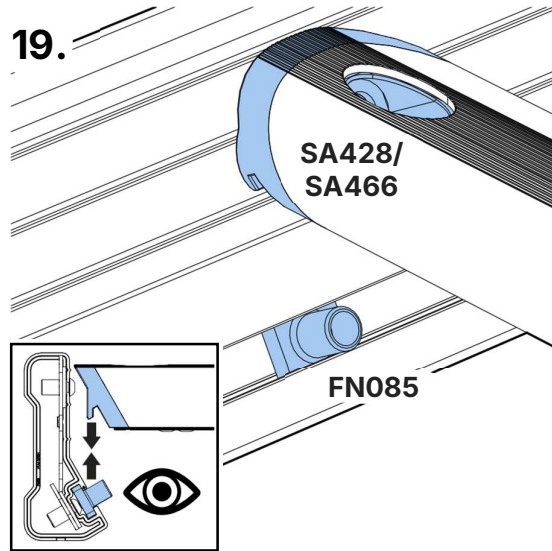
L575/LB575- Kangoo 2008-2021, Citan 2012-2021 L1-H1 (Twin)		
<p>Max Load = 150kg/330lbs</p>  <p>L575/LB575 = 19kg/42lbs</p>		
A FN085 Qty	B FN085 Qty	Rear Bar – End (mm)
3	4	220

L575LB575- Kangoo 2008-2021, Citan 2012-2021 L2-H1 (Twin)		
<p>Max Load = 150kg/330lbs</p>  <p>L575/LB575 = 19kg/42lbs</p>		
A FN085 Qty	B FN085 Qty	Rear Bar – End (mm)
3	4	237

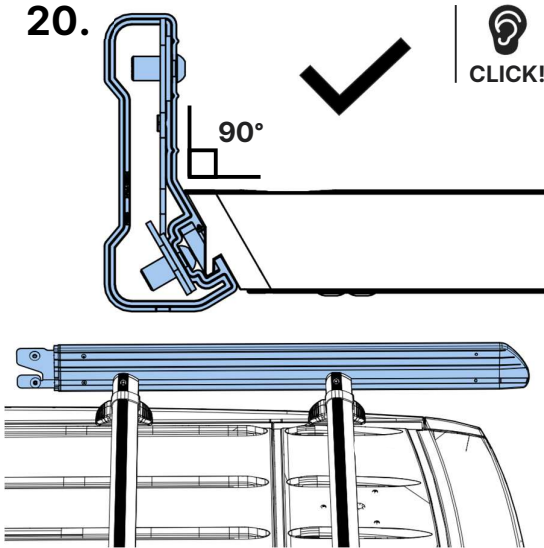
18.



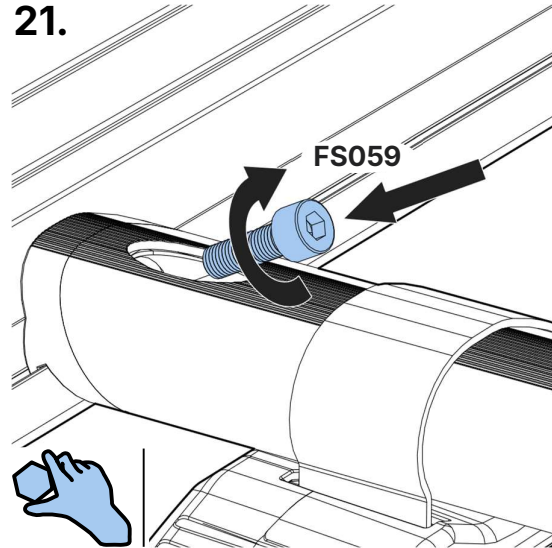
19.



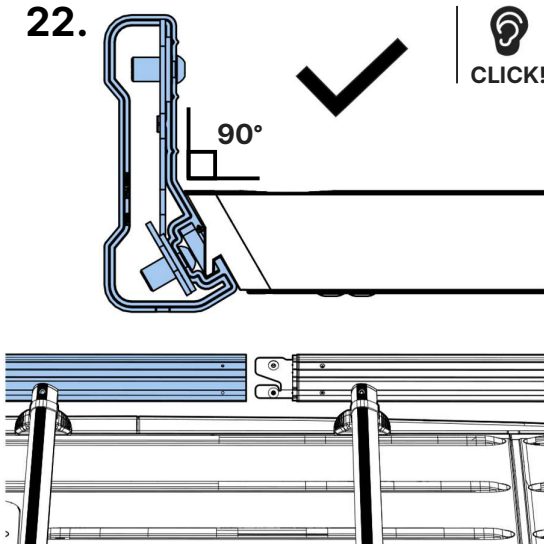
20.



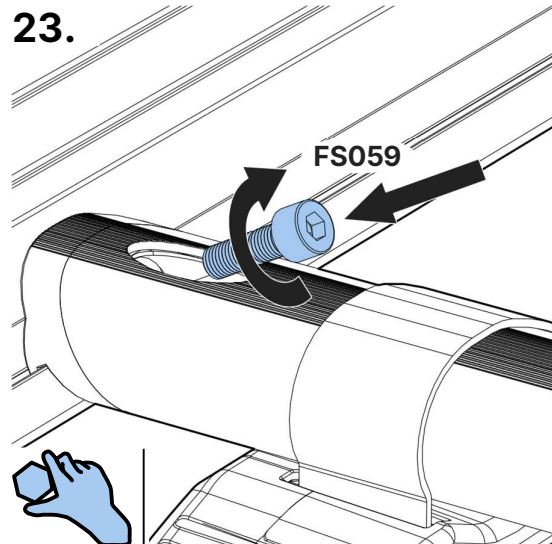
21.

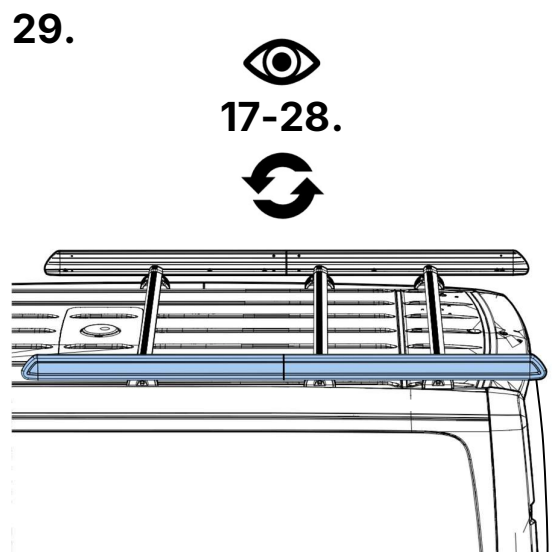
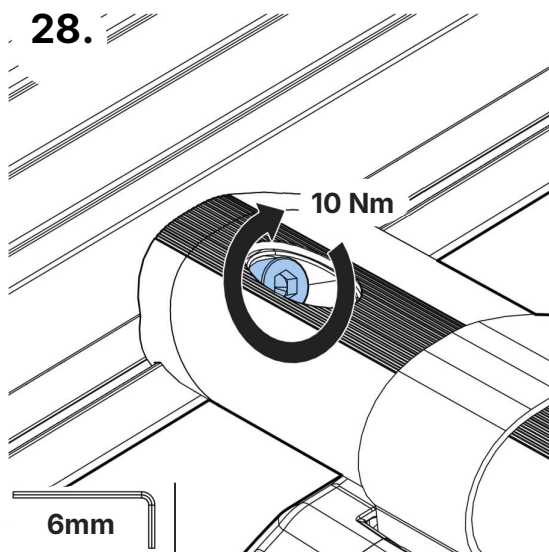
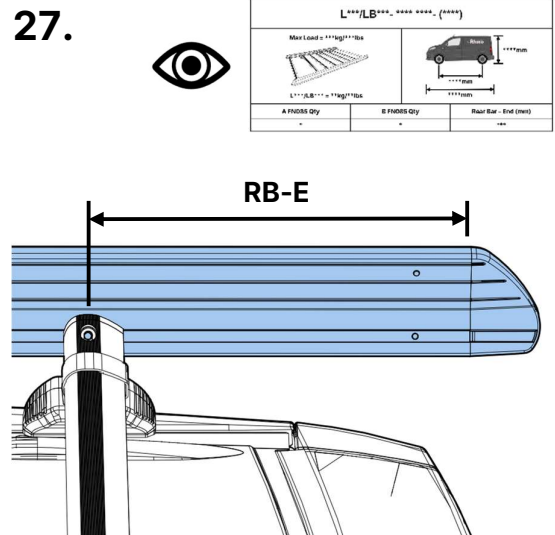
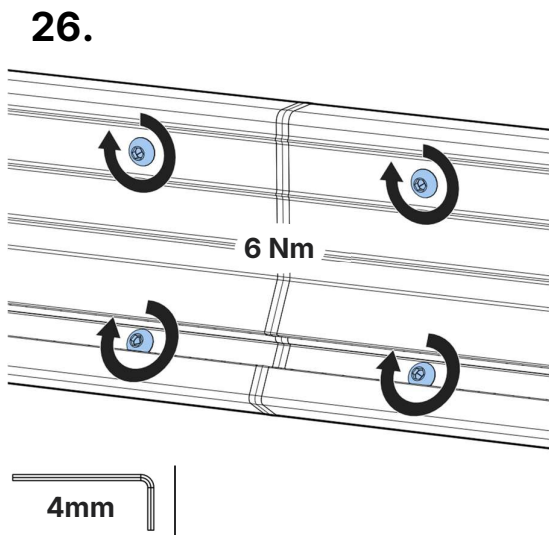
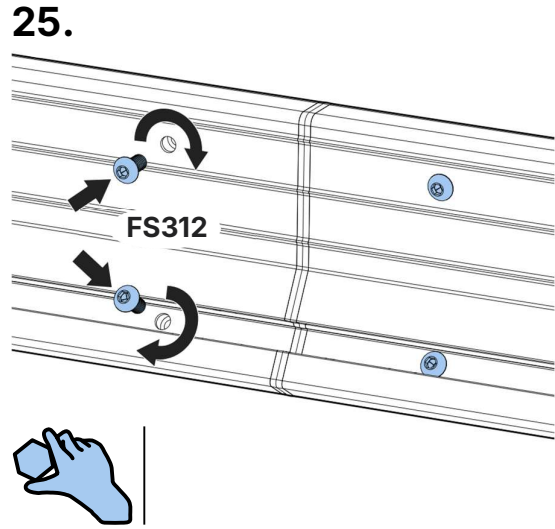
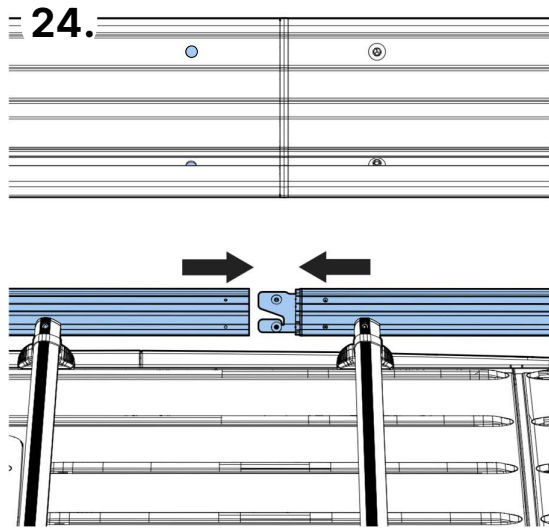


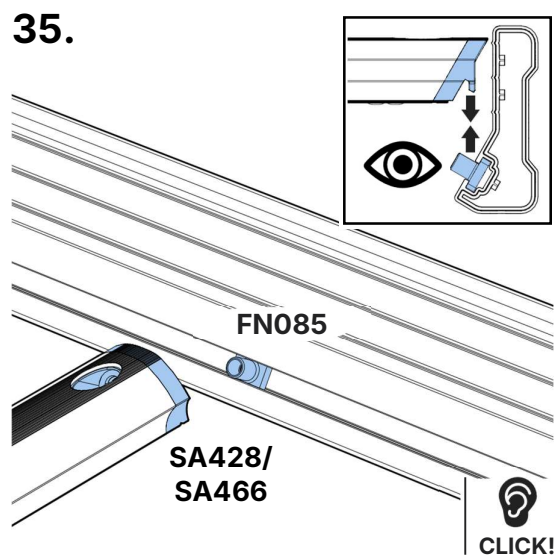
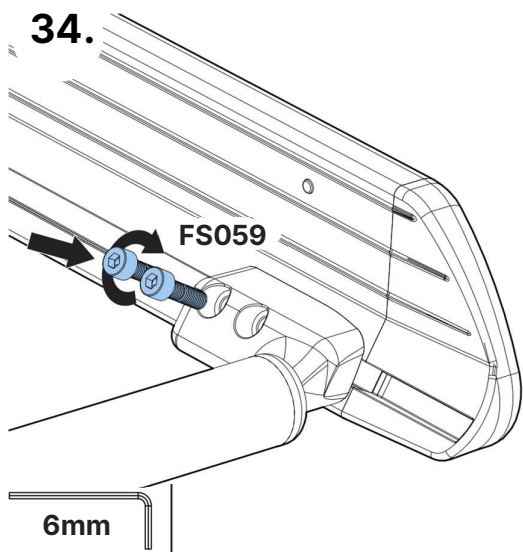
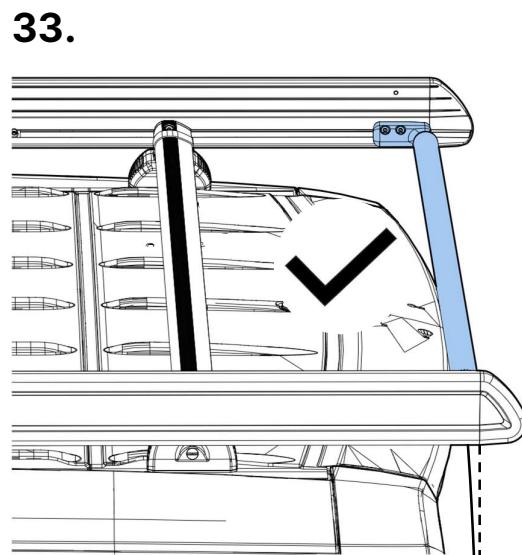
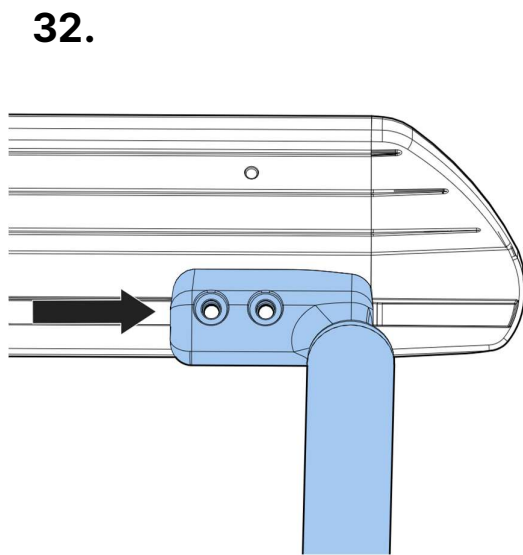
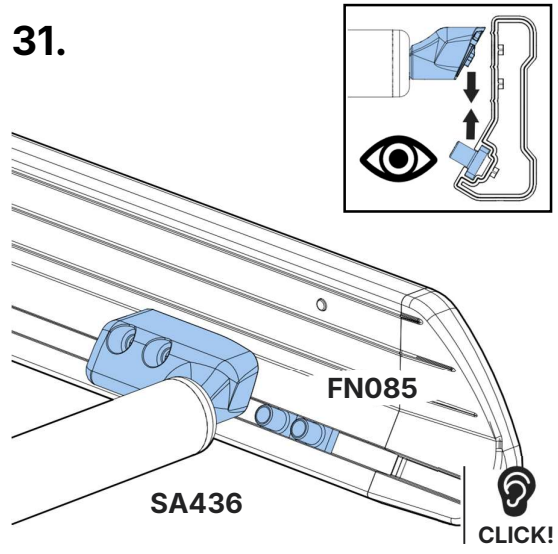
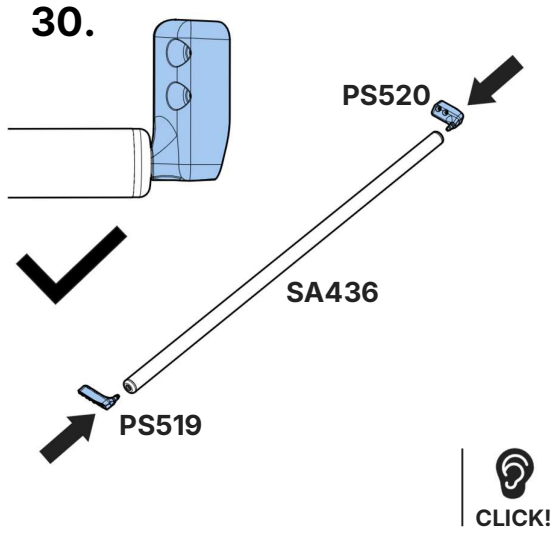
22.



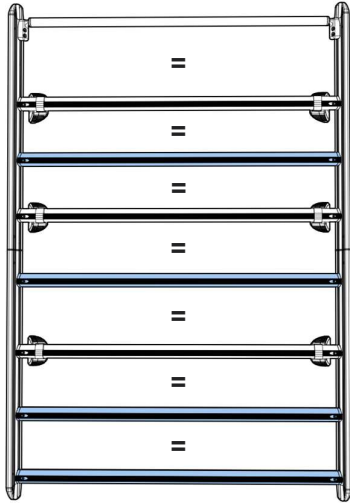
23.



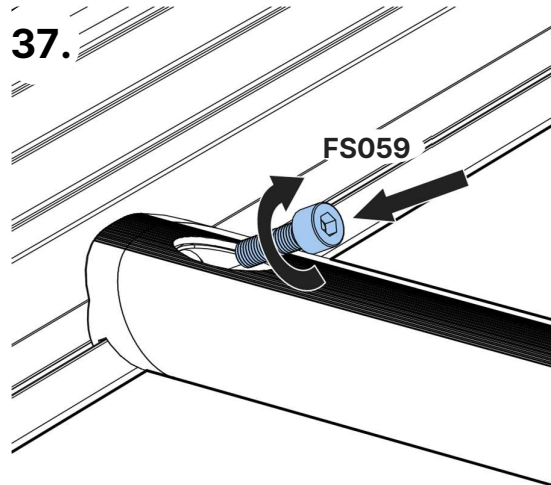




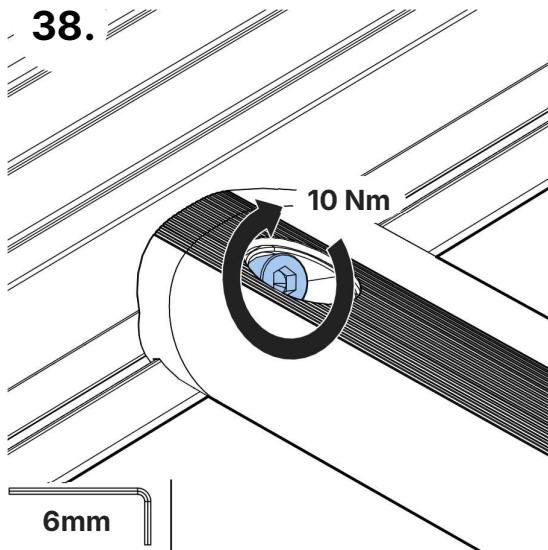
36.



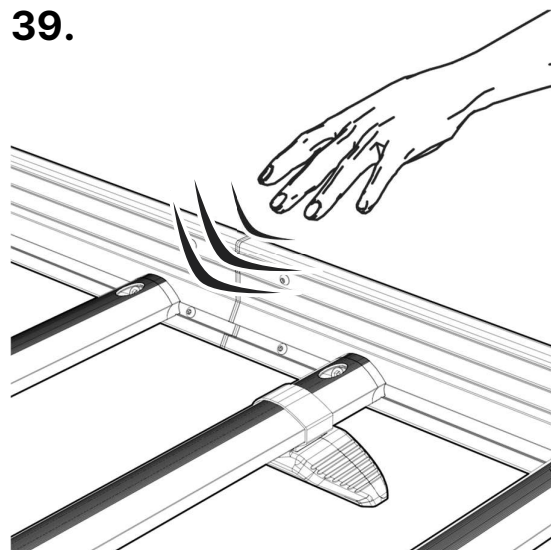
37.



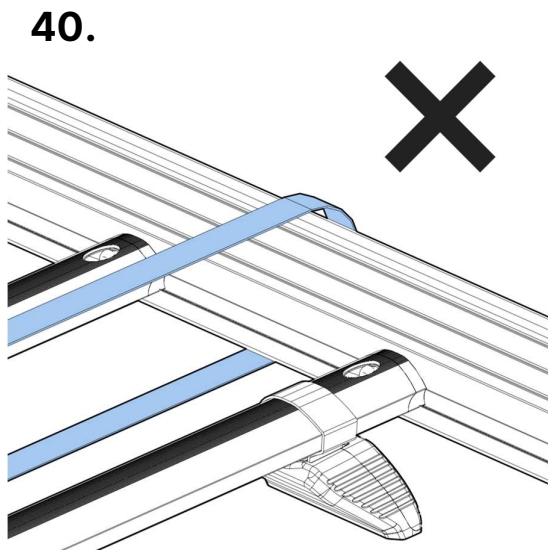
38.



39.



40.



41.

