

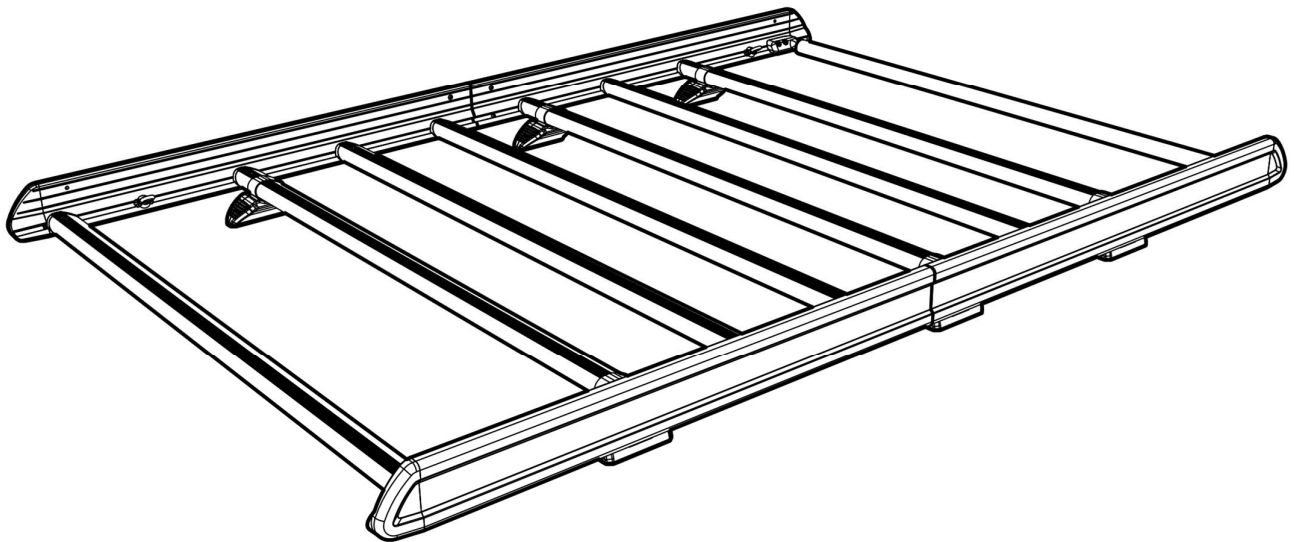
Issue:	Drawn By:	Checked By:	CRF No.:	Date:	Description:
a	SJ	KB	3609	21/10/25	First Issue
b					
c					
d					

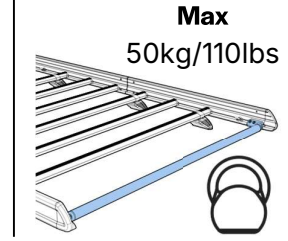
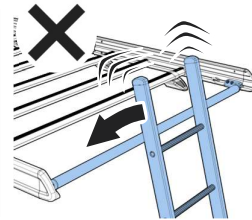
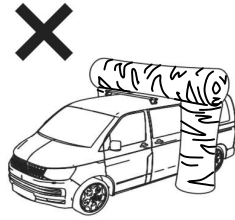


I43KE

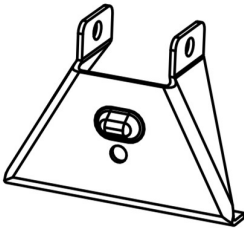
KammEdge.

Instructions

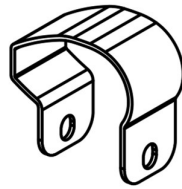




KammEdge.



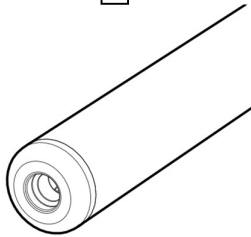
MS1632 x 6



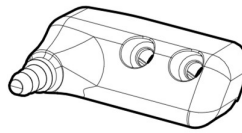
MS1142 x 6



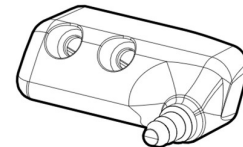
SA429/SA467 x 7



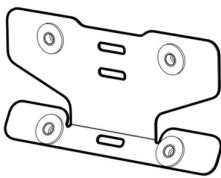
SA437 x 1



PS519 x 1



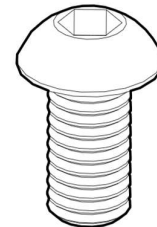
PS520 x 1



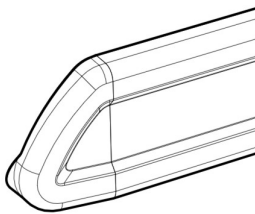
SA610 x 2



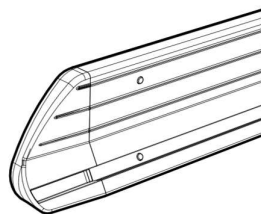
PS635 x 2



**FS323
(M6 x 16) x 8**



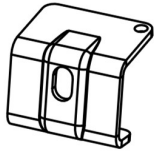
LSF (L) x 2



LSF (R) x 2



Fitting Kit



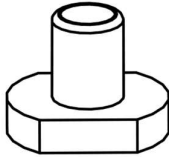
20186003 x 6



PS006-120 x 6



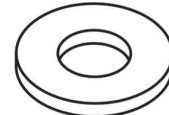
FS059
(M8 x 25) x 18



FN085 x 18



FN006 (M8) x 12



FW002 (M8) x 24



FS081
(M8 x 50) x 6



FB003
(M8 x 65) x 6



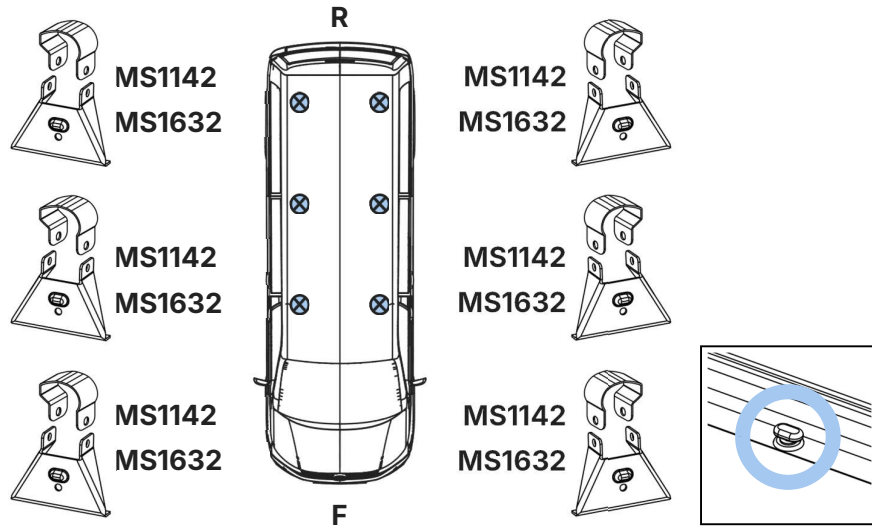
FT01 x 1



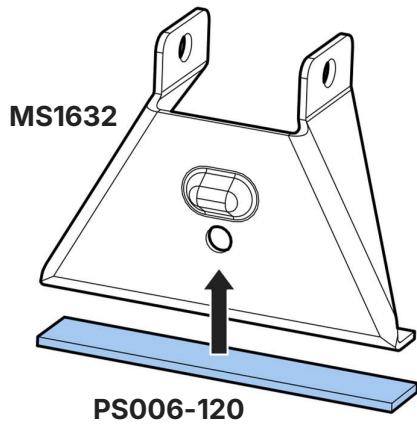
FT05 x 1



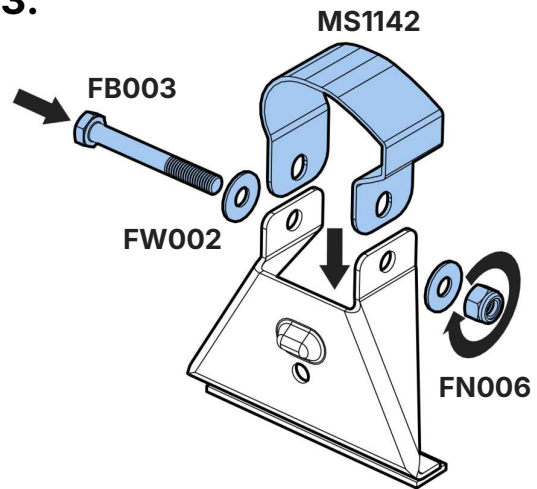
1.



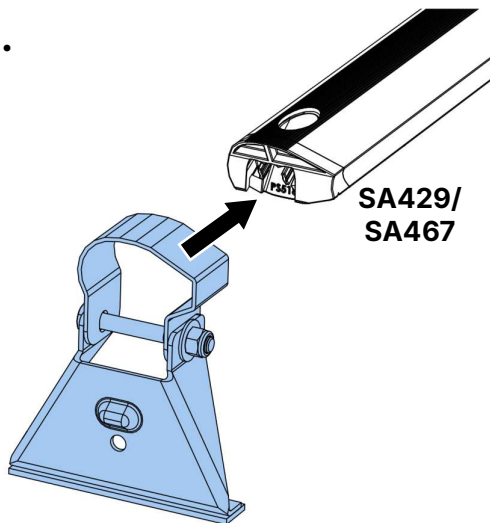
2.



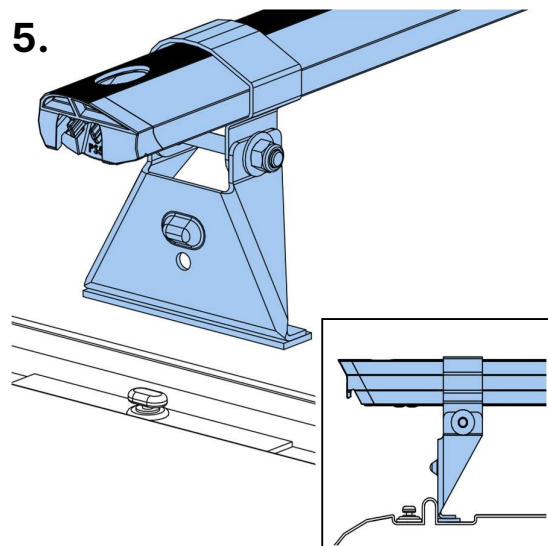
3.

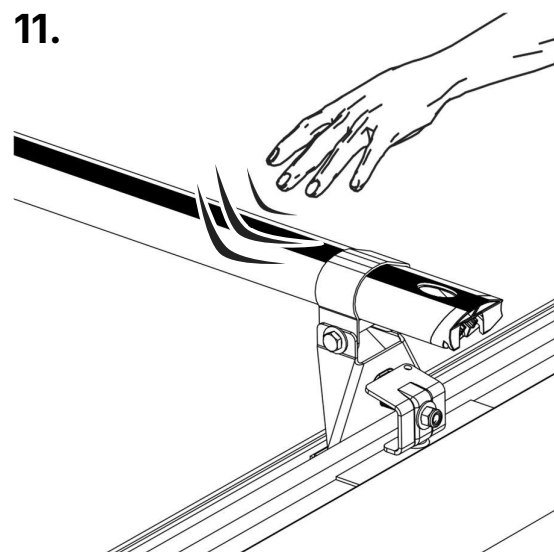
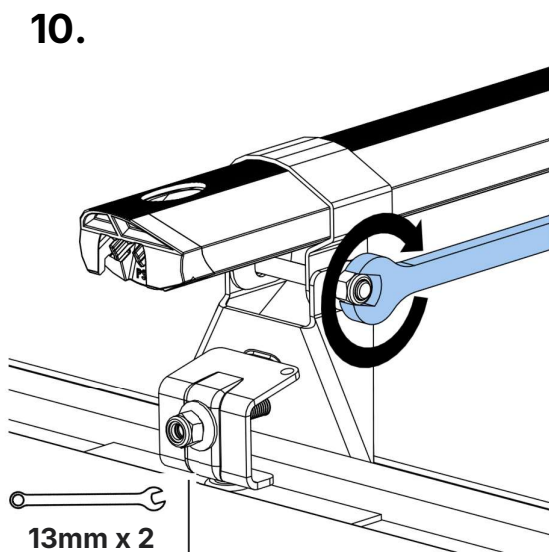
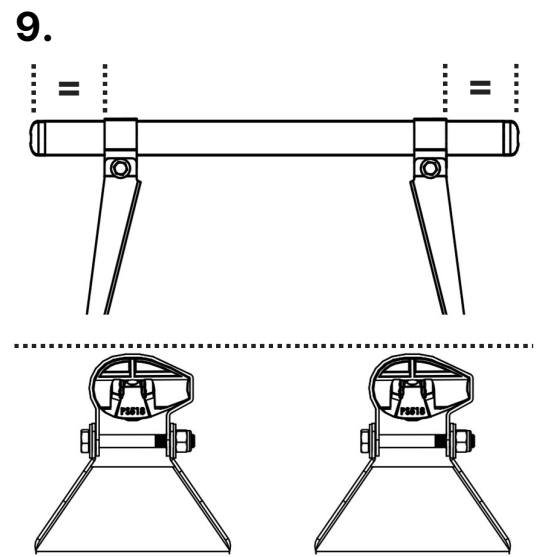
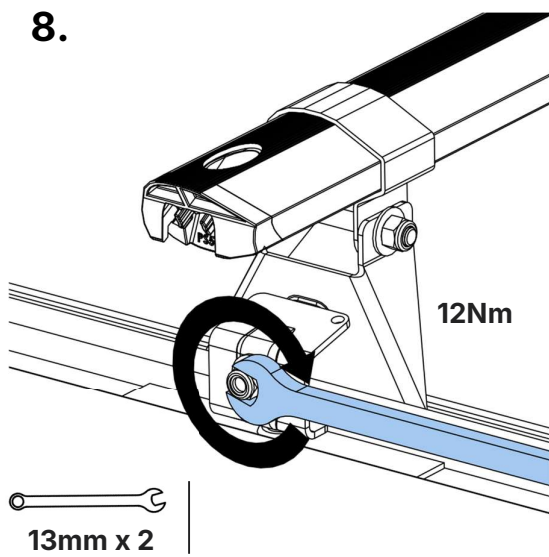
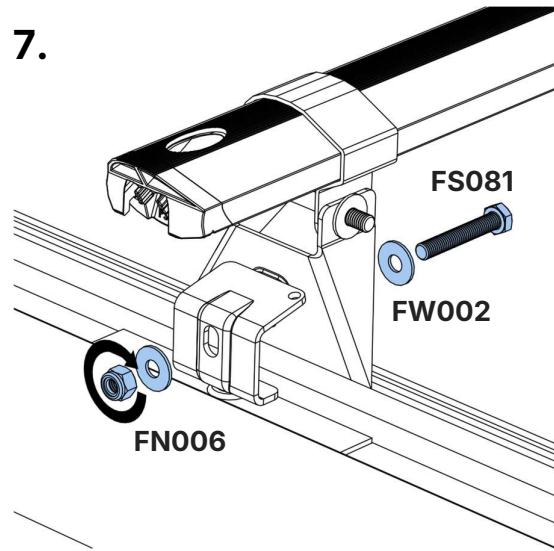
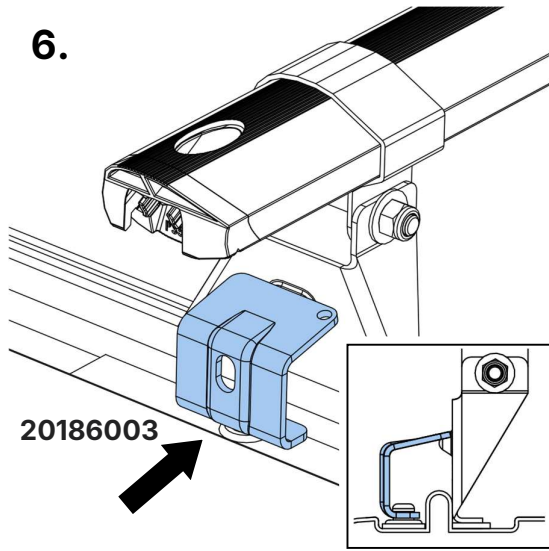


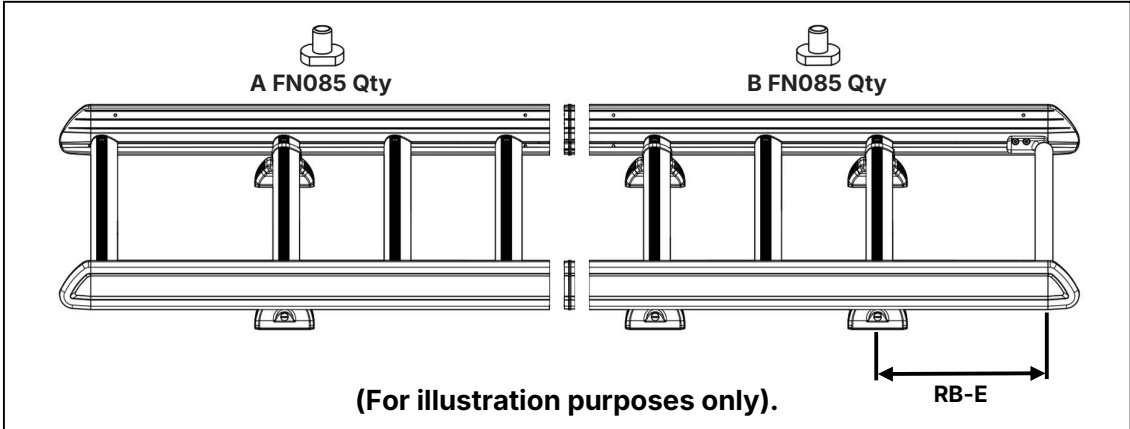
4.



5.

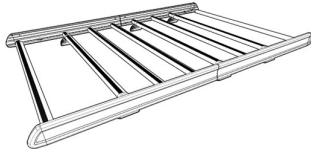




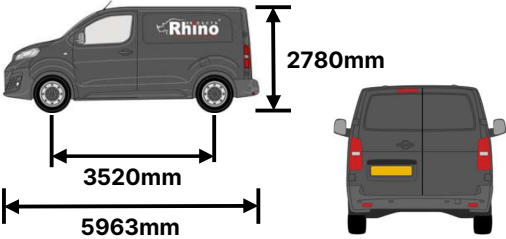


L640/LB640- Iveco Daily 2014-, L3-H3 (Twin)

Max Load = 150kg/330lbs

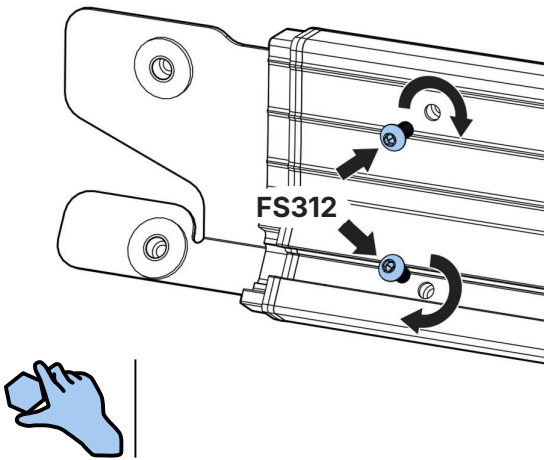


L640/LB640 = 31kg/68lbs

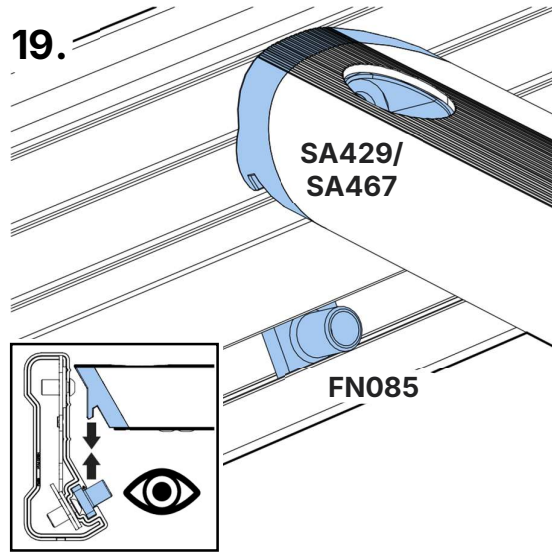


A FN085 Qty	B FN085 Qty	Rear Bar – End (mm)
4	5	945

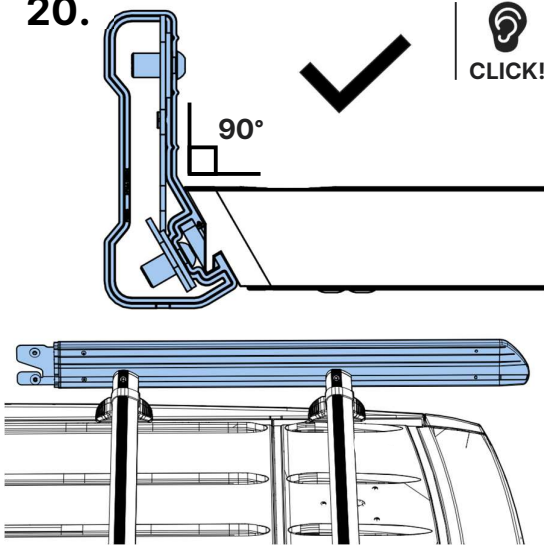
18.



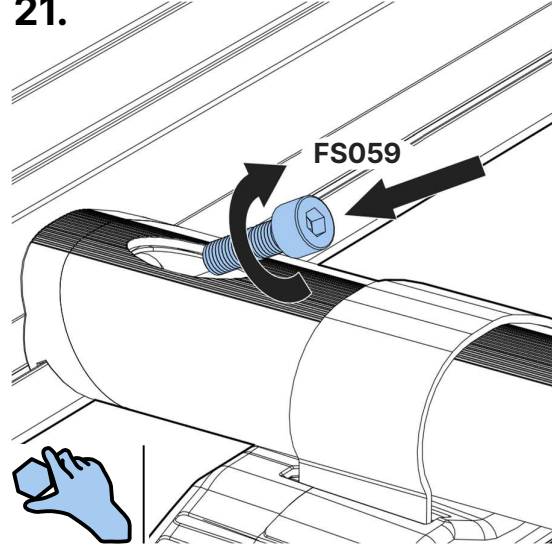
19.



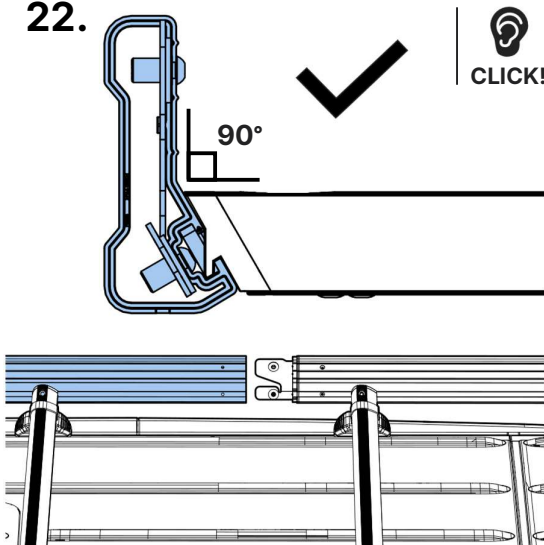
20.



21.



22.



23.

