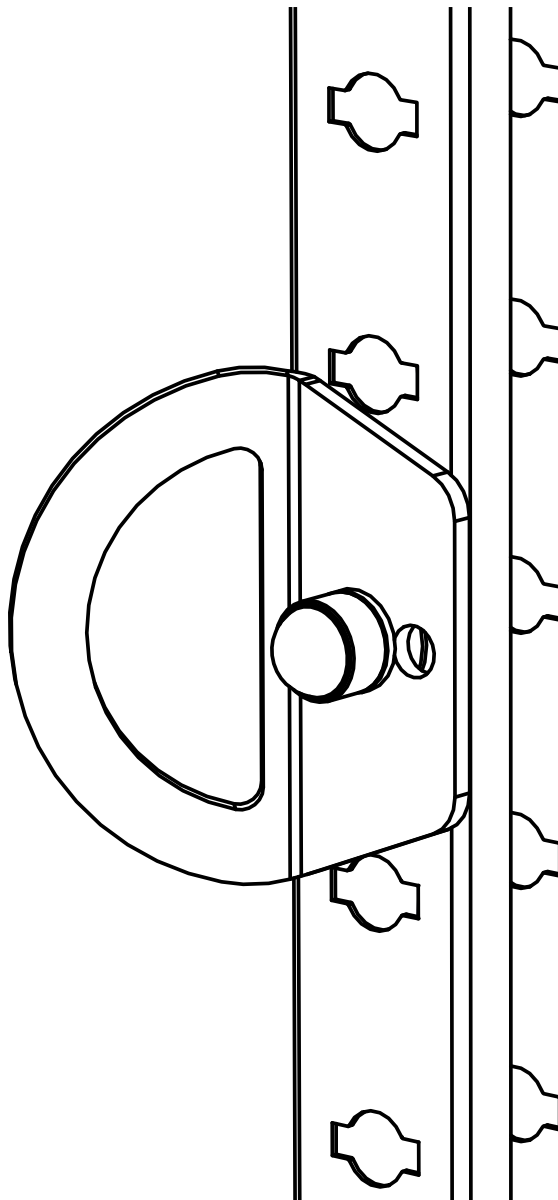


# AC23FI

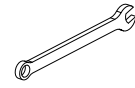
# MR4

## Instructions

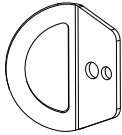




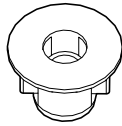
AC23  
0.16Kg/0.35lbs



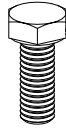
10mm



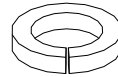
**EYE1**  
x 2



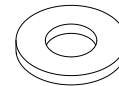
**FN003**  
(M6)  
x 2



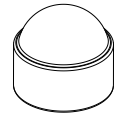
**FS188**  
(M6x16)  
x 2



**FW004**  
(M6x10)  
x 2



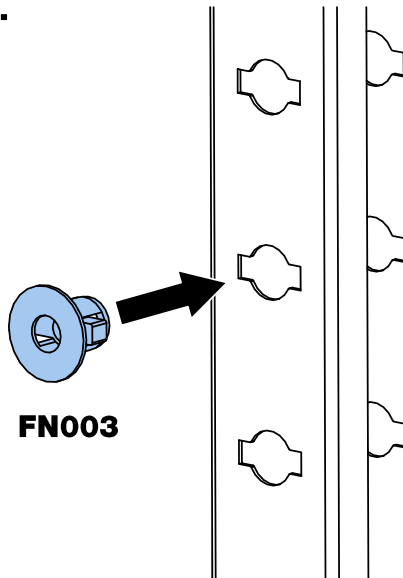
**FW001**  
(M6x20)  
x 2



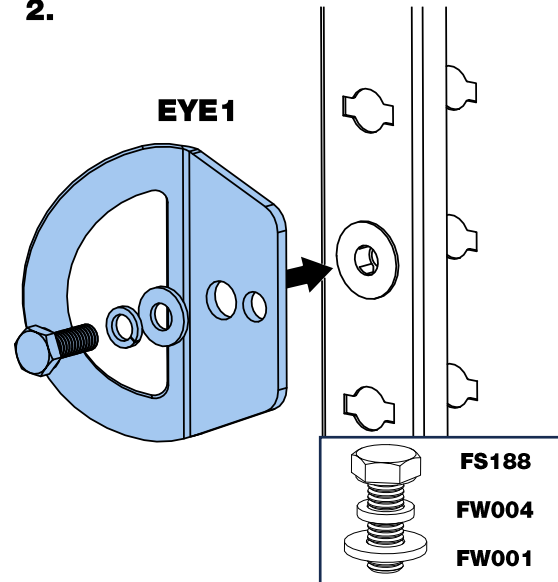
**PS259**  
x 2



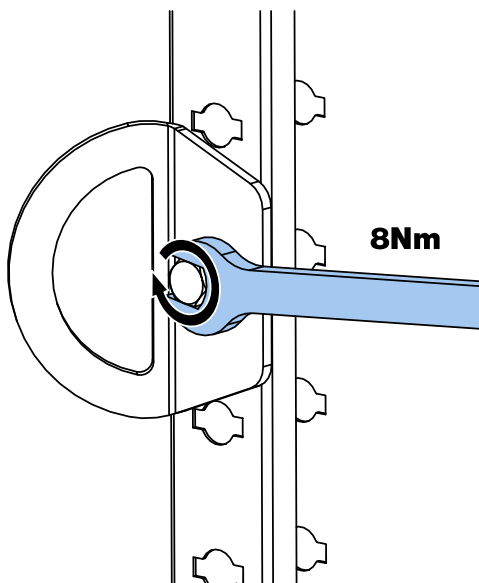
1.



2.



3.



4.

