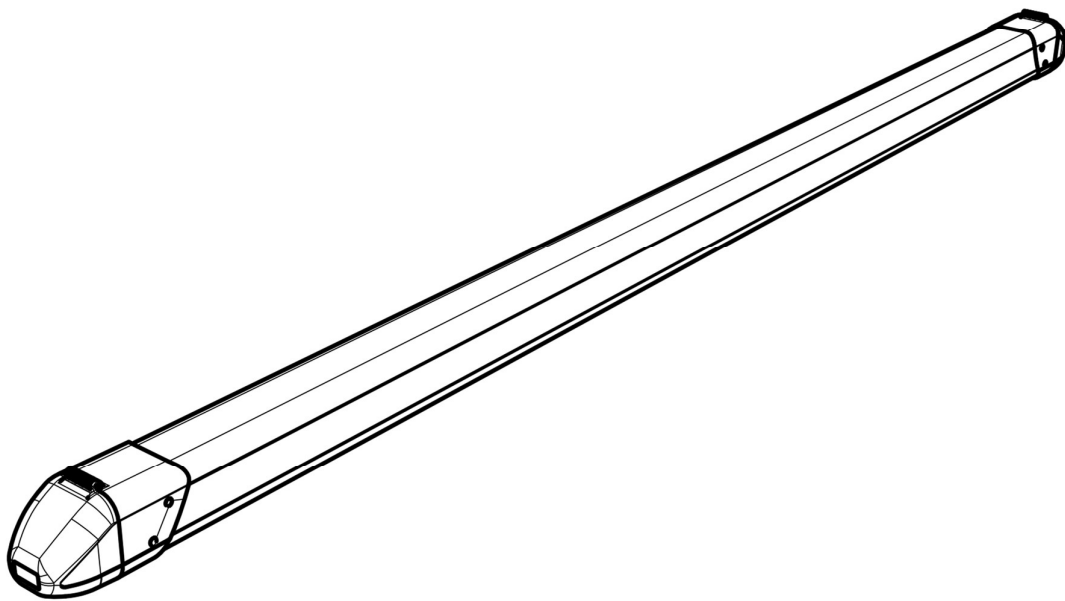


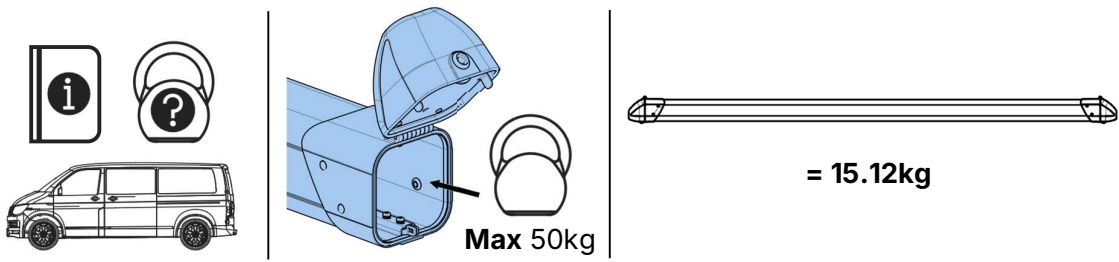
ISSUE:	DRAWN BY:	CHECKED BY:	CRF No:	DATE:	DESCRIPTION:
a	DP	KB	3649	29/01/26	First Issue
b					
c					
d					

RP31FI/RP32FI

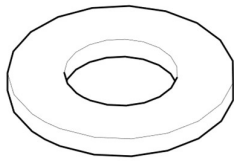
PipeTube Pro.

Instructions

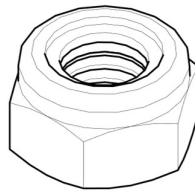




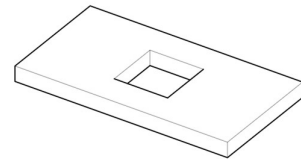
Fitting Kit



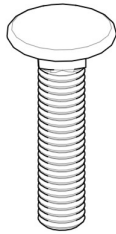
FW021 x 4



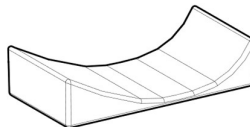
FN006 x 4



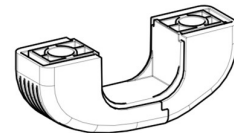
MS393 x 4



FS030 x 4

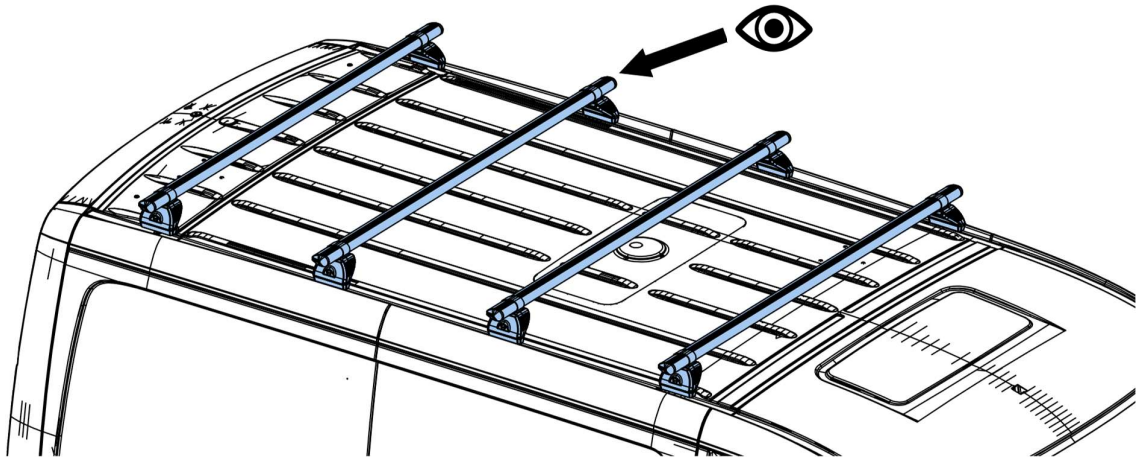


PS206 x 2

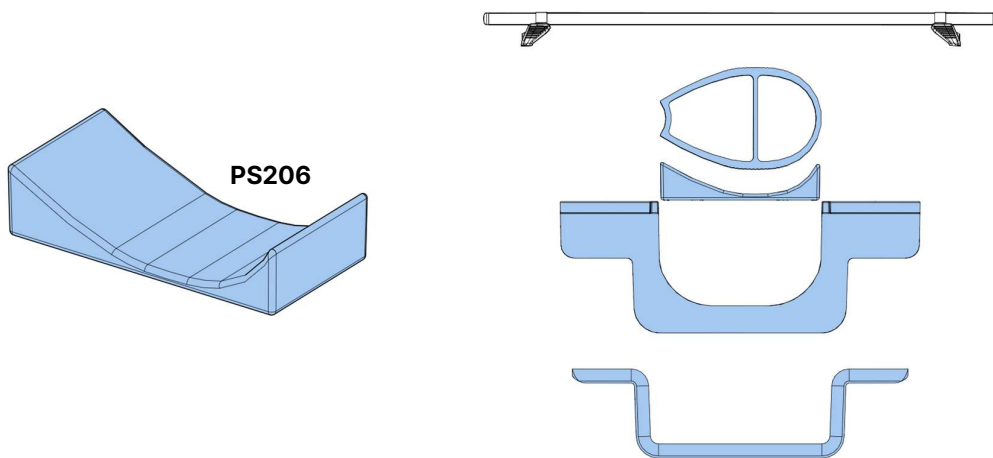


SA603 x 2





a. Rhino KammBar / Rhino Aluminium Rack



b.

