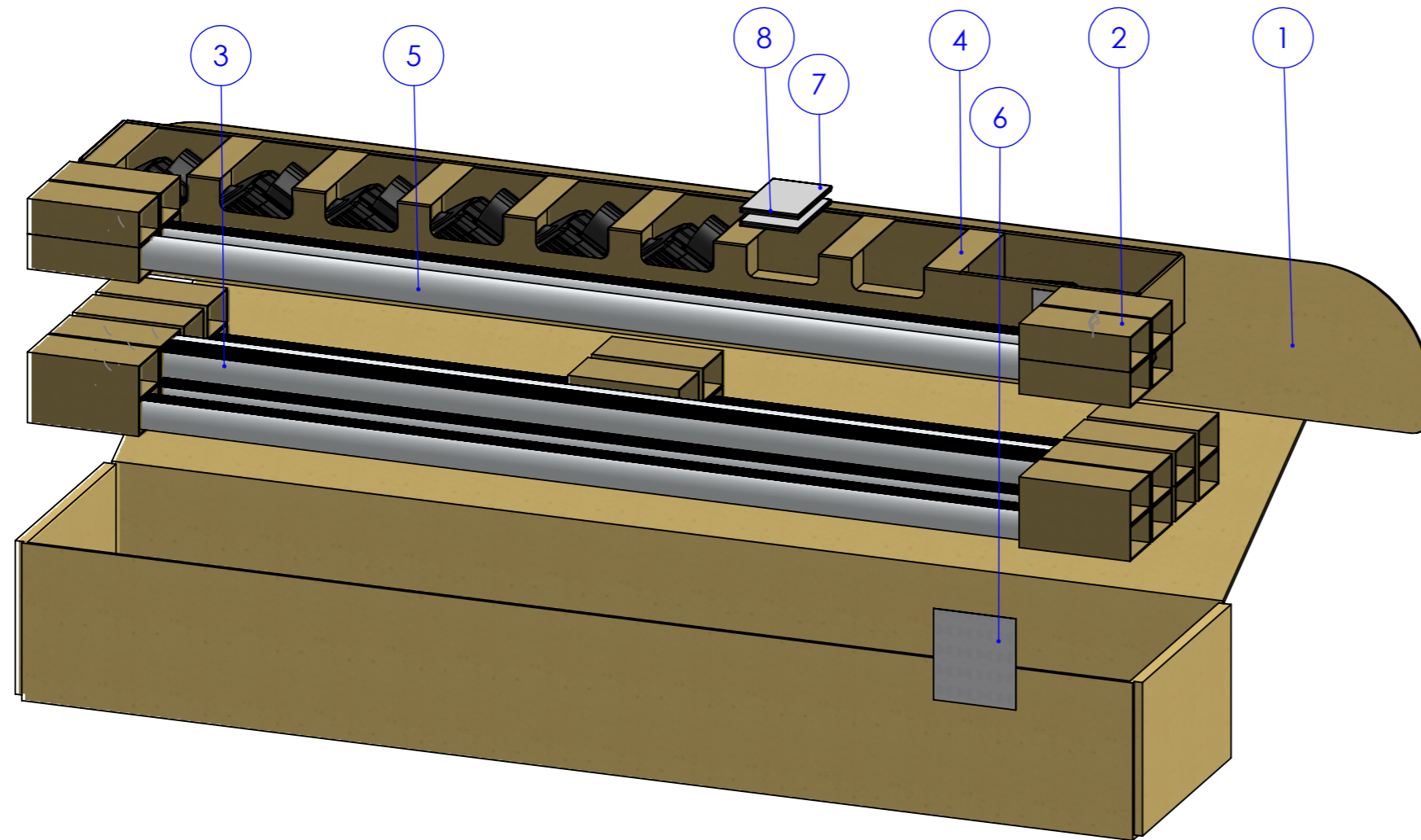


ITEM NO.	PART NUMBER	DESCRIPTION	QTY.
1	PA421	KammRack 1200mm Bar Box	1
2	PA423	KammBar Ends	14
3	SA428	1.2m Assembled Cross Tube	6
4	PB3FK	"PB" 6 Leg Fitting Kit	1
5	SA436	1175mm roller assembly for KammRack	1
6	LA038	Printed Label, Kit Box	1
7	(PB3KRFI)	Customer Instruction Sheet(s)	1
8	DC07	Customer Instruction Sheet(s)	1

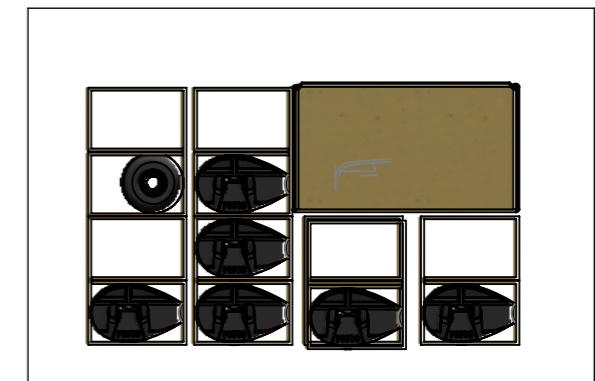
ISSUE:	DRAWN BY:	CHECKED BY:	CRF NO:	DATE:	DESCRIPTION:
a	MK	KB	2785	19/08/22	First issue
b	MK	KB	2829	01/11/22	Added 2x PA423
c	LE	KB	2897	06/02/23	Removed LA262 Rhino branded label from packaging.

**INSTRUCTIONS PB3KRFI:**

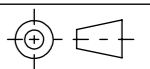
**Print Settings - A4, portrait, greyscale. Do not print first page.  
Staple DC07 to the back of PB3KRFI.  
Place both on top of the legs.**



**Bar Layout**



IF IN DOUBT PLEASE ASK



THIRD ANGLE PROJECTION

UNLESS OTHERWISE SPECIFIED:  
DIMENSIONS ARE IN MM

0.00 ±0.2  
0.0 ±0.5  
ANG ±0.5°

DERIVED DIMENSIONS SHOWN IN BRACKETS

<F> - CRITICAL FIT DIMENSION  
<S> - SAFETY CRITICAL DIMENSION

DEBURR AND BREAK ALL SHARP EDGES

SHEET SIZE A3 SHEET SCALE: 1:10

**MATING PARTS:**

DRAWING NO: <b>PB3KR (1 of 2)</b>	DESCRIPTION: <b>1200mm PB3 KammRack Kit</b>	DESIGNED BY: M. Kilshaw 19/08/22
MATERIAL SIZE:	MATERIAL SPEC: Material <not specified>	WEIGHT: 13.44Kg
© NOTE: This drawing is the property of Rhino Products Ltd and must not be used or copied without written consent. The Rhino Products name and logo must remain clearly visible in any reproduction.		



