

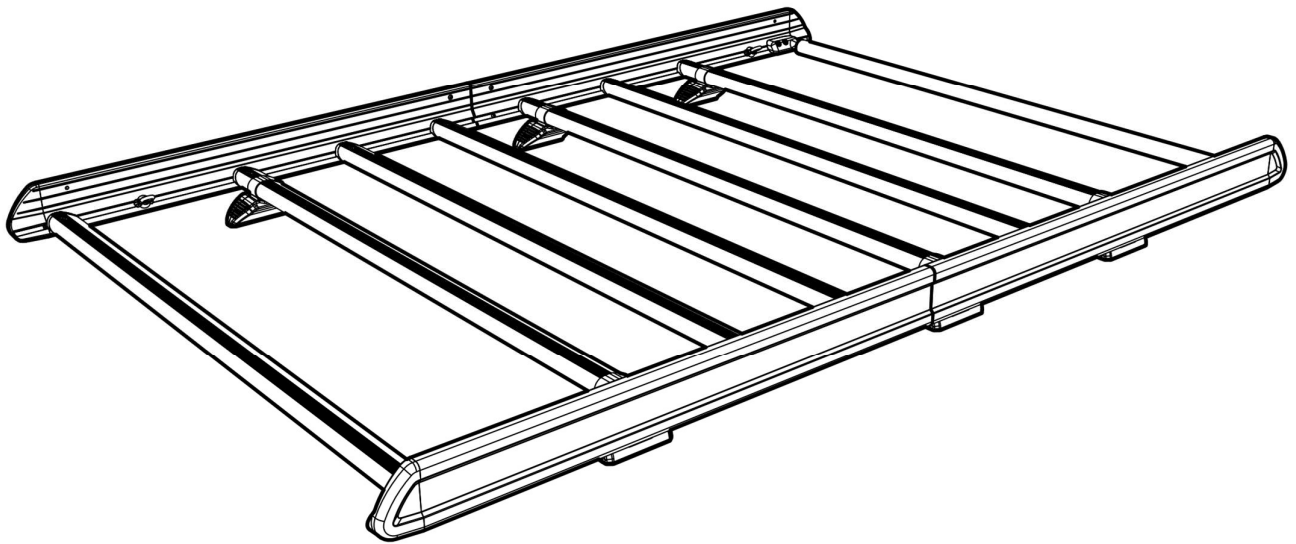
Issue:	Drawn By:	Checked By:	CRF No.:	Date:	Description:
a	SJ	KB	3609	21/10/25	First Issue
b					
c					
d					

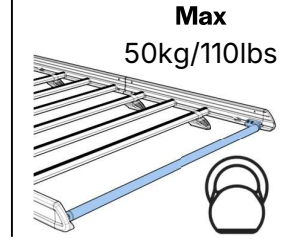
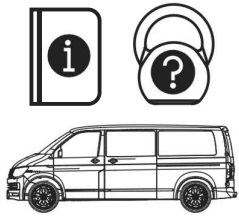


TC3KE

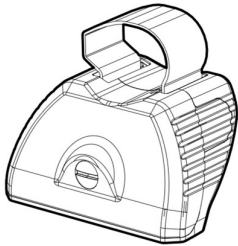
KammEdge.

Instructions

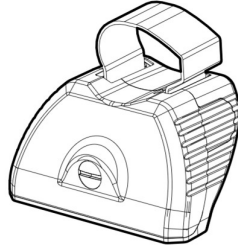




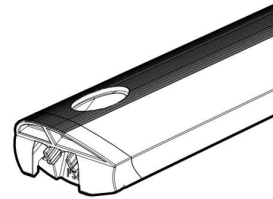
KammEdge.



SA397U x 3



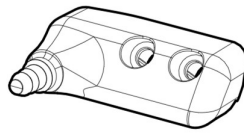
SA398U x 3



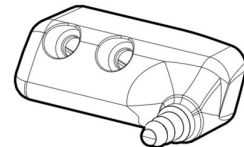
SA430/SA468 x 8



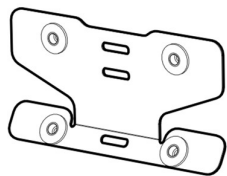
SA438 x 1



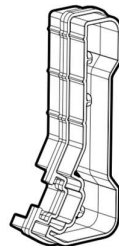
PS519 x 1



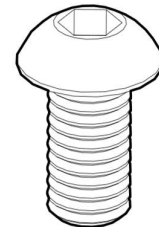
PS520 x 1



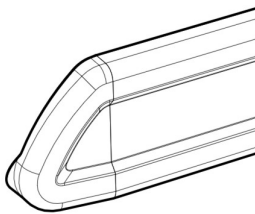
SA610 x 2



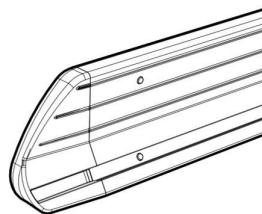
PS635 x 2



**FS323
(M6 x 16) x 8**



LSF (L) x 2

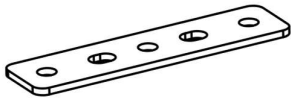


LSF (R) x 2

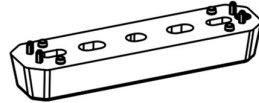


**C04 x 6
*optional upgrade***

Fitting Kit



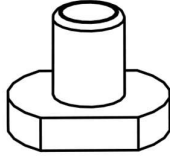
PS023 x 6



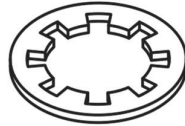
PS183 x 6



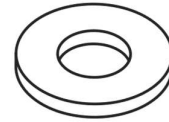
FS059
(M8 x 25) x 20



FN085 x 20



FW009 (M8) x 6



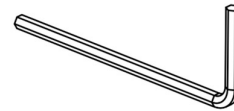
FW002 (M8) x 6



FS081
(M8 x 50) x 6



FT01 x 1



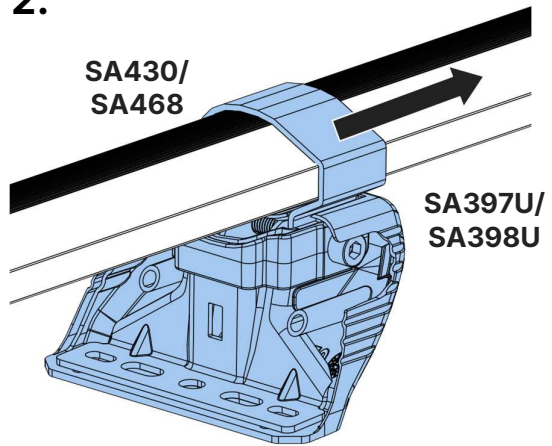
FT05 x 1



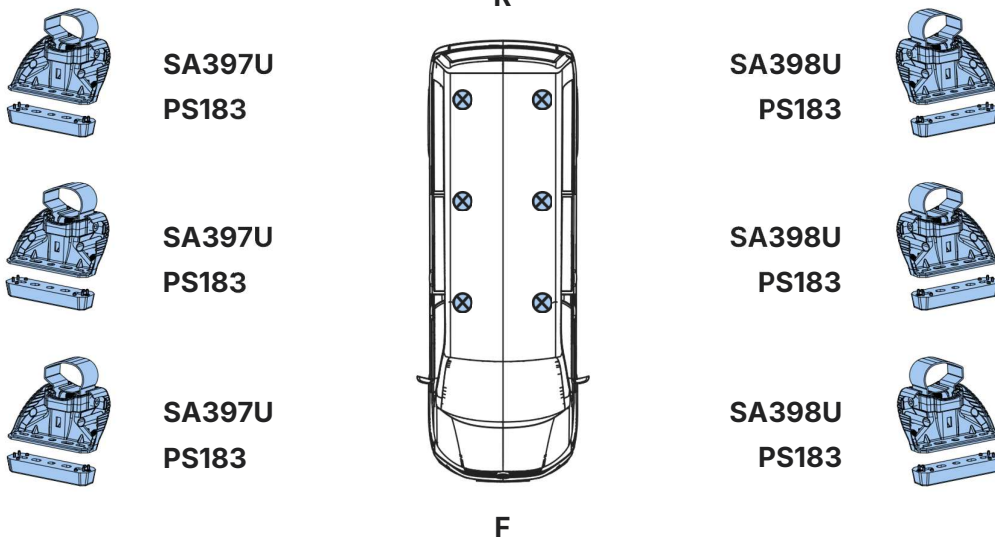
1.



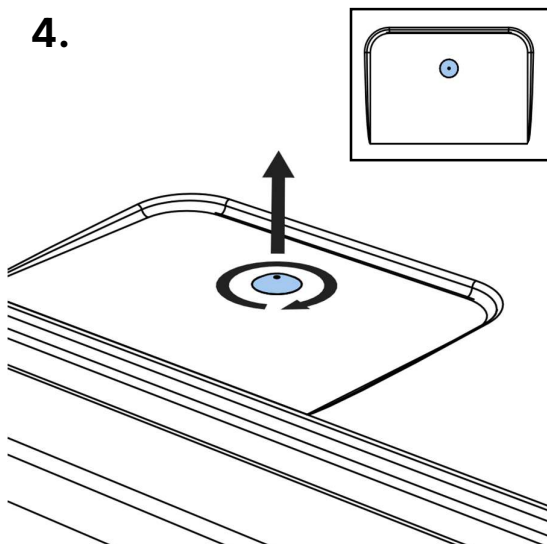
2.



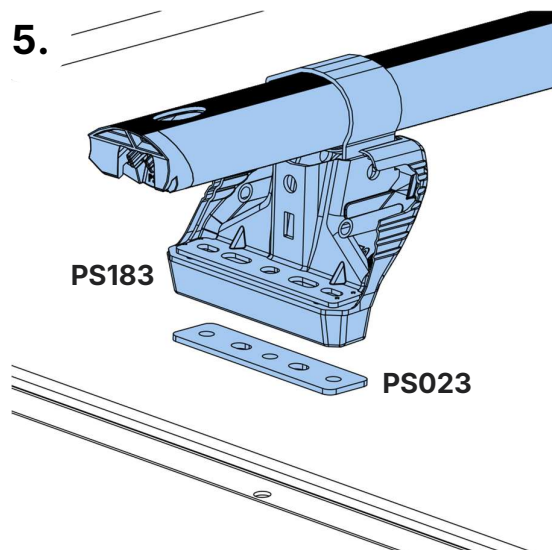
3.



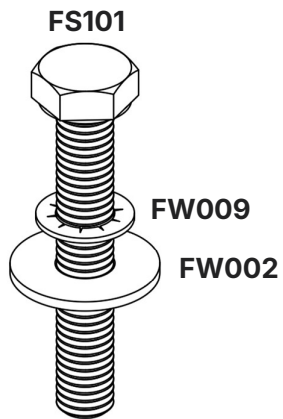
4.



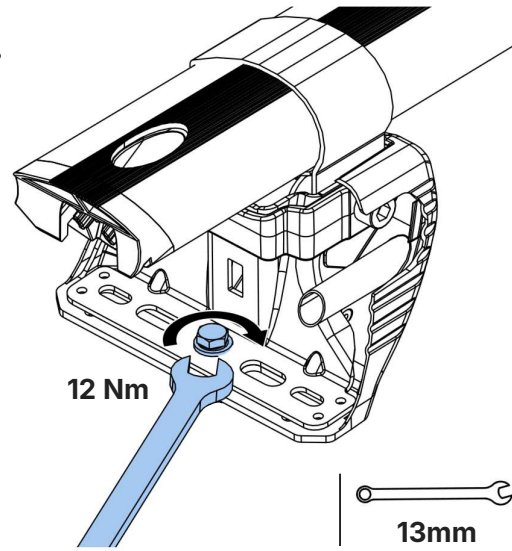
5.



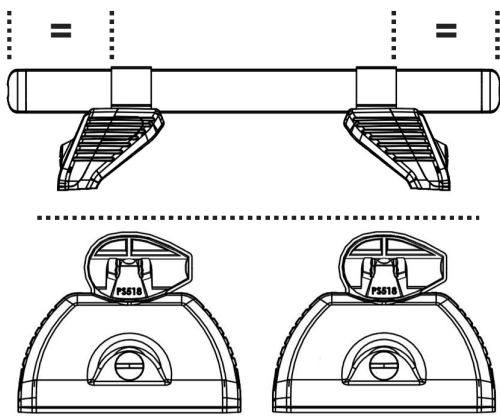
6.



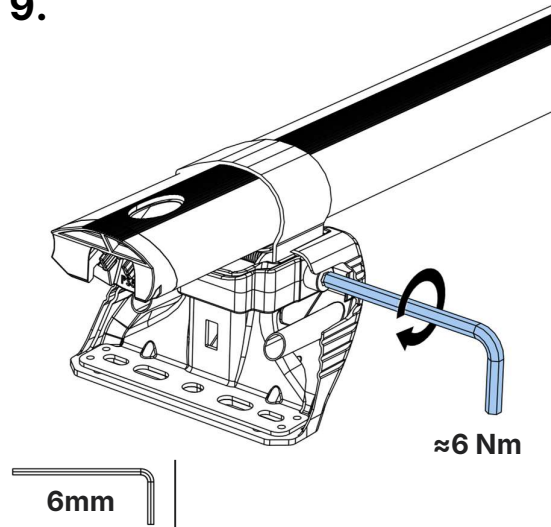
7.



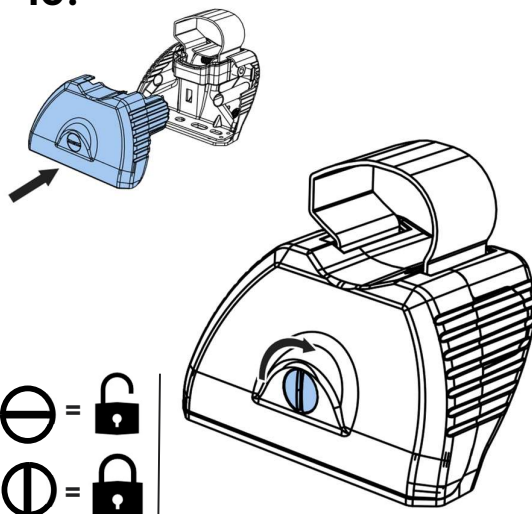
8.



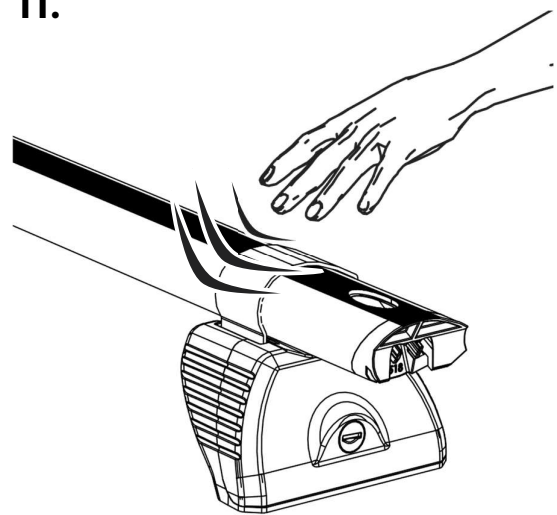
9.

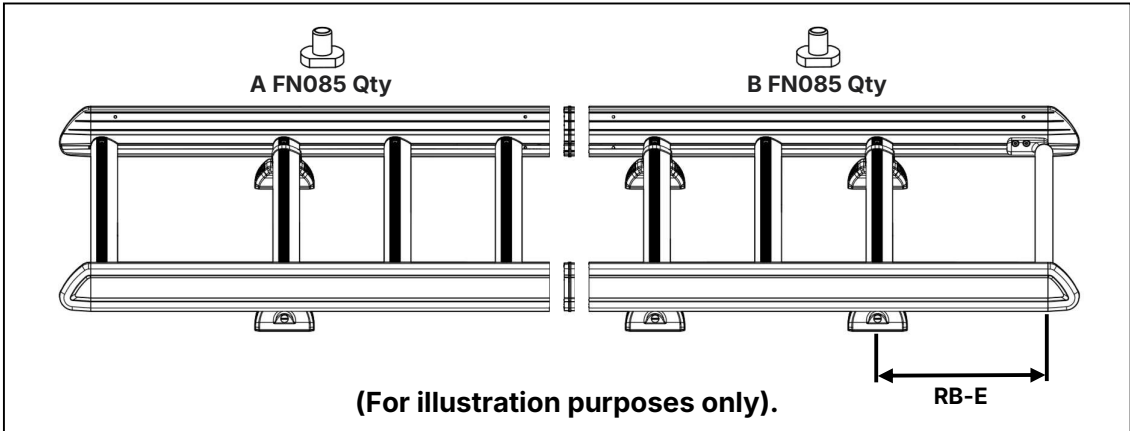



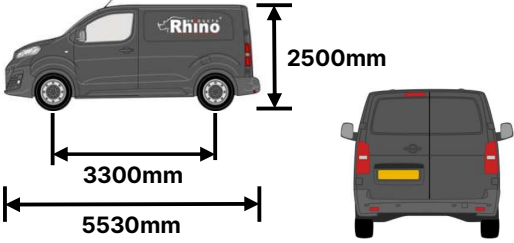
10.


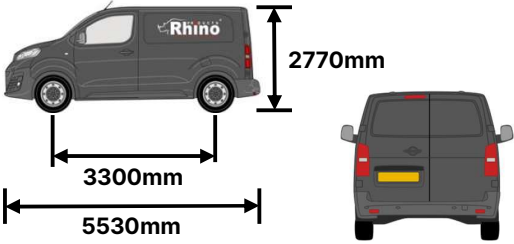


11.

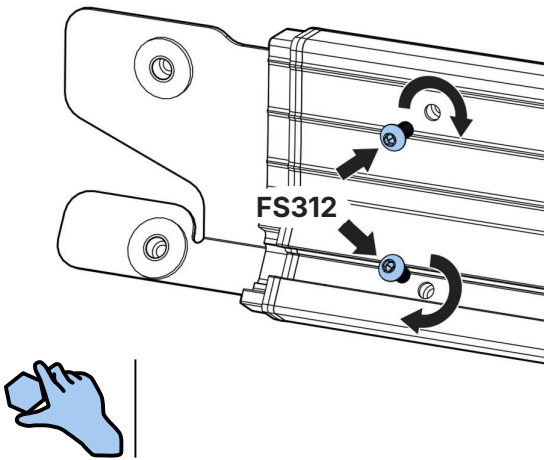




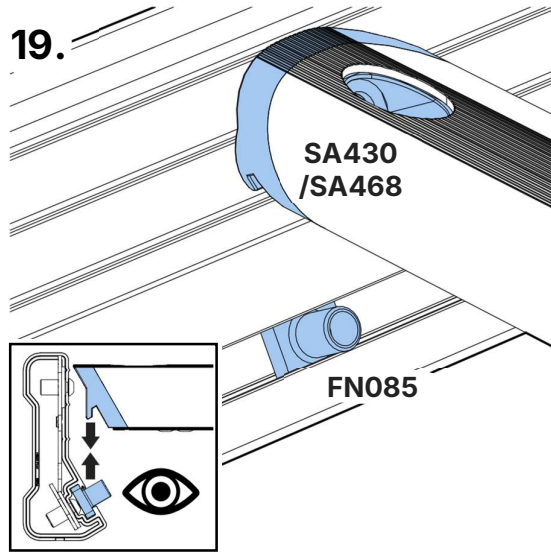
L625/LB625- Transit 2014- L2-H2 (Twin)		
<p>Max Load = 150kg/330lbs</p>  <p>L625/LB625 = 28kg/62lbs</p>		
A FN085 Qty	B FN085 Qty	Rear Bar – End (mm)
4	6	595

L649/LB649- Transit 2014- L2-H3 (Twin)		
<p>Max Load = 150kg/330lbs</p>  <p>L649/LB649 = 28kg/62lbs</p>		
A FN085 Qty	B FN085 Qty	Rear Bar – End (mm)
4	6	595

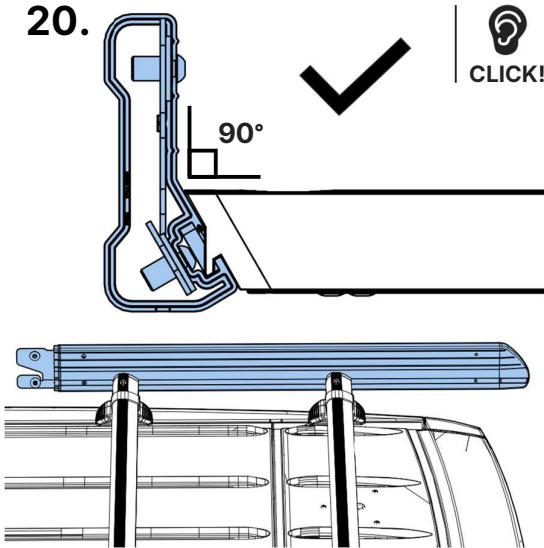
18.



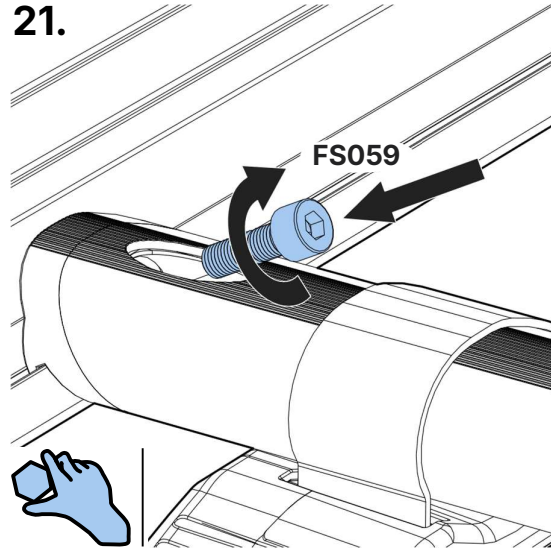
19.



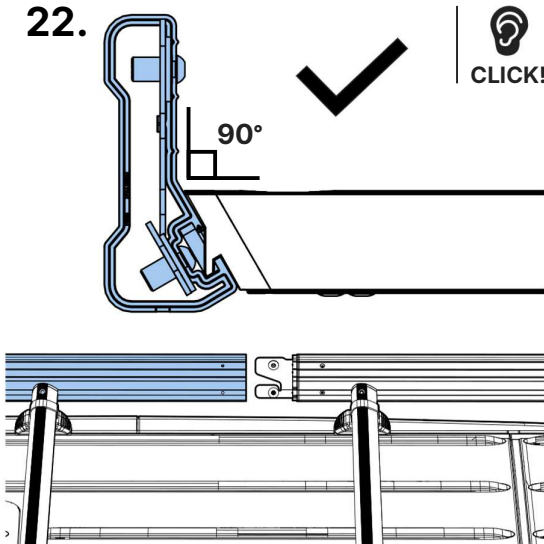
20.



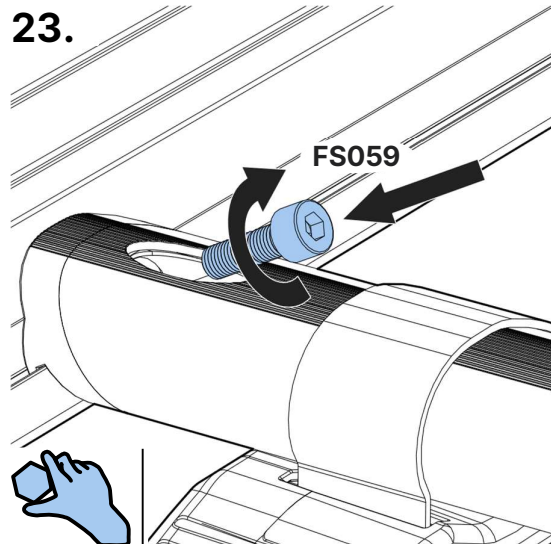
21.

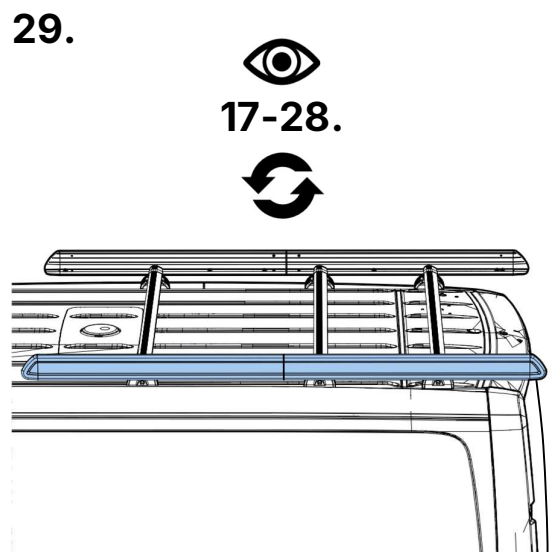
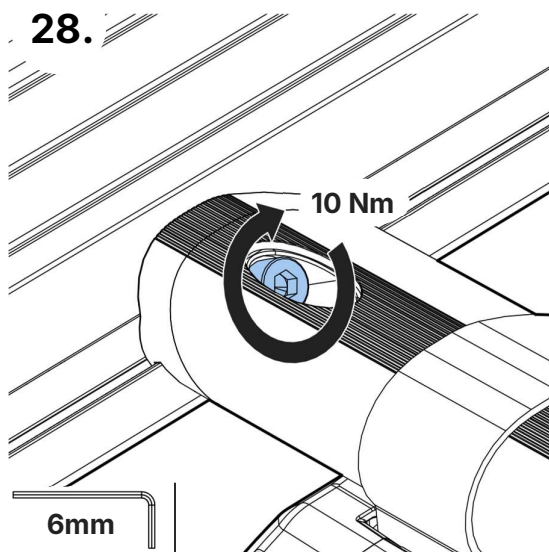
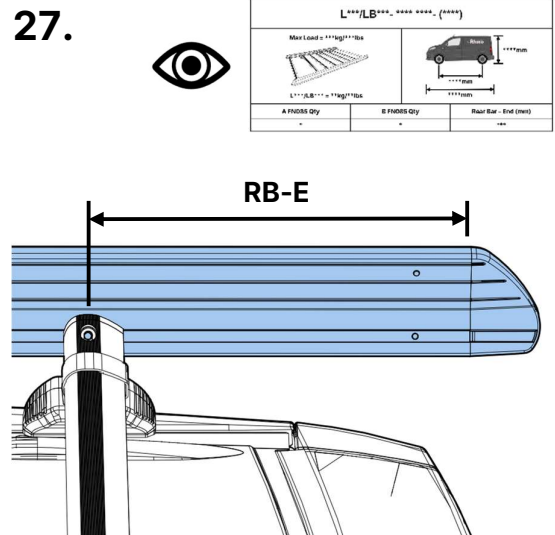
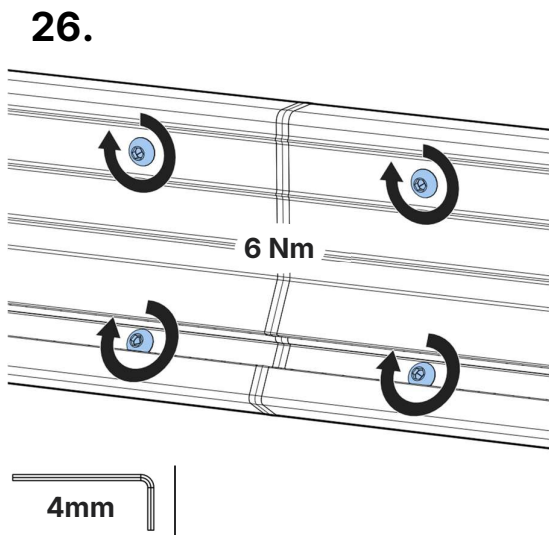
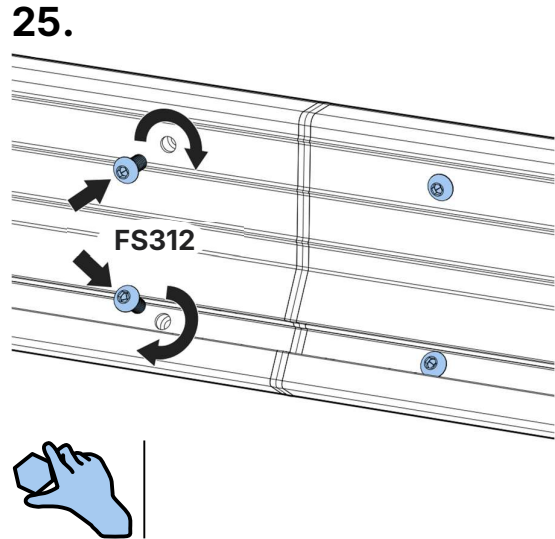
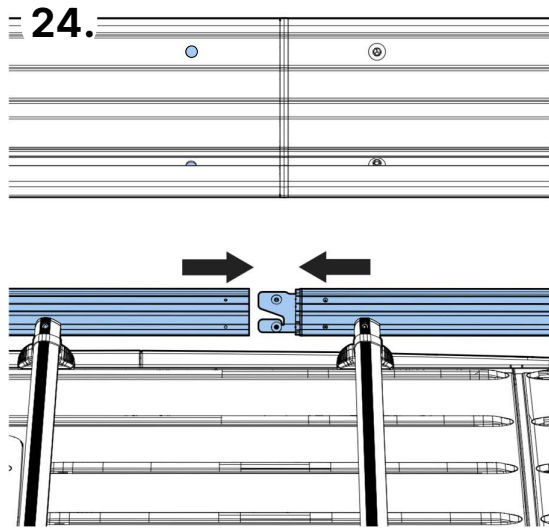


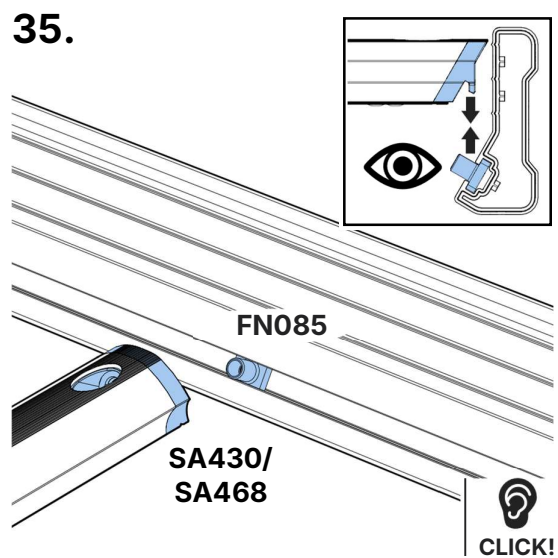
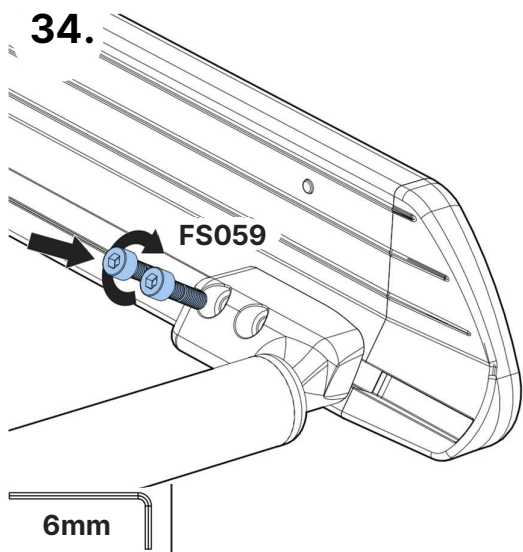
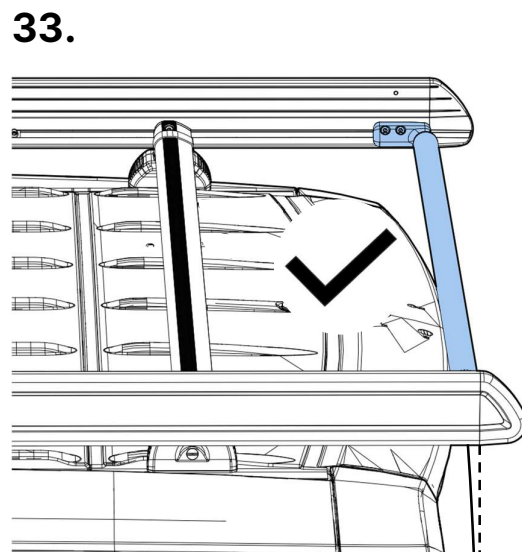
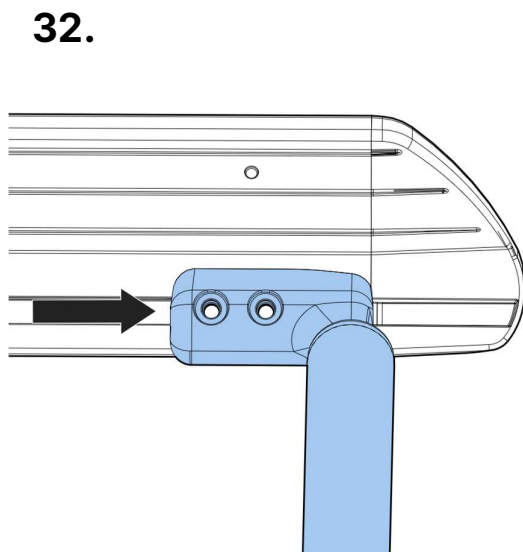
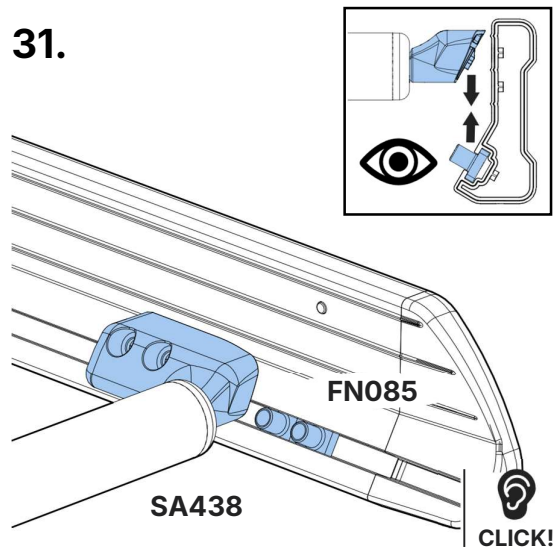
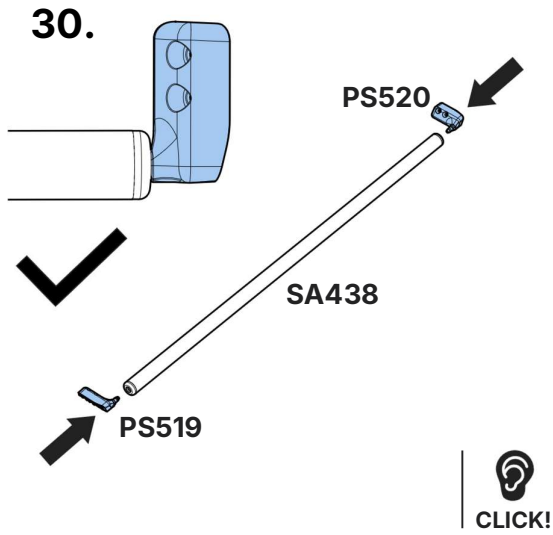
22.



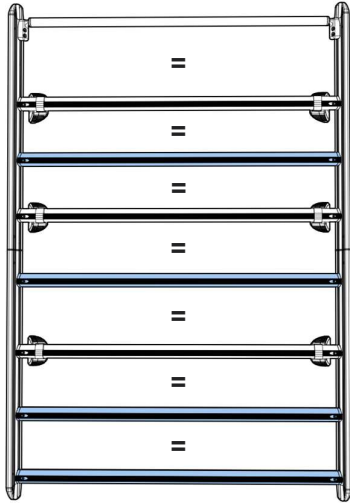
23.



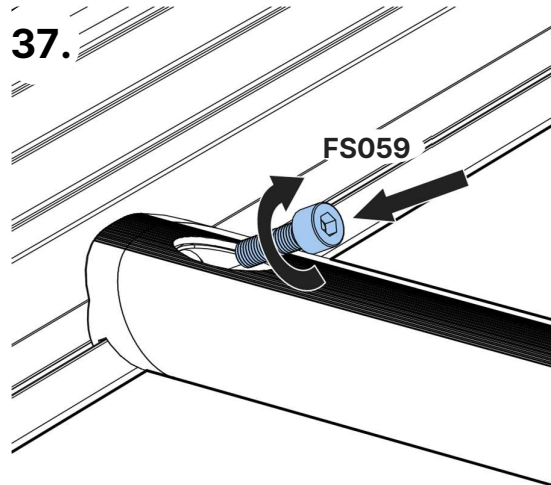




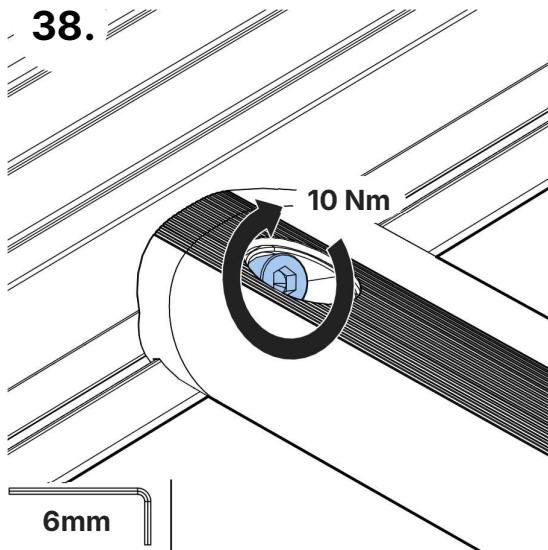
36.



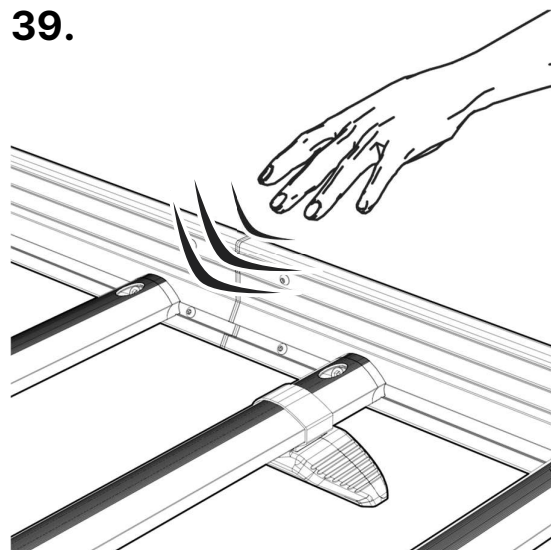
37.



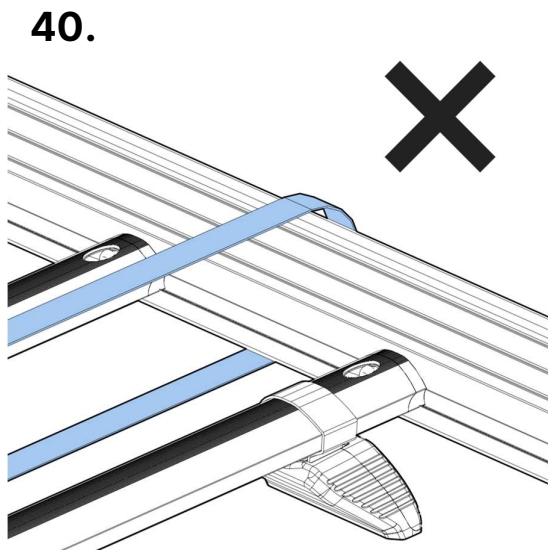
38.



39.



40.



41.

