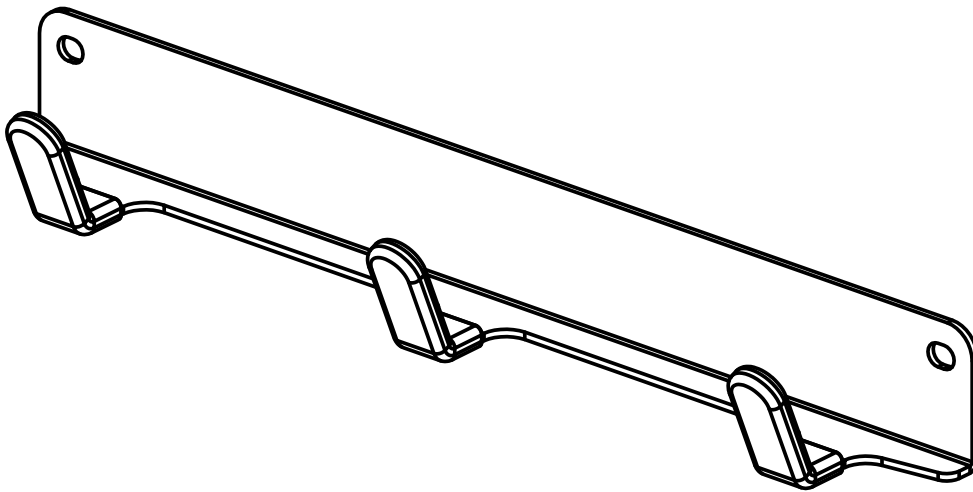
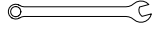


AC6FI MR4 Instructions

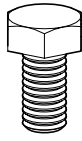




≈5 min

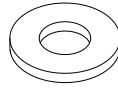


10mm



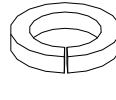
FS188
(M6x16)

x 2



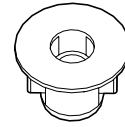
FW001
(M6)

x 2



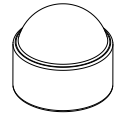
FW004
(M6)

x 2

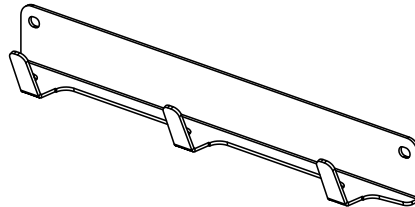


FN003
(M6)

x 2

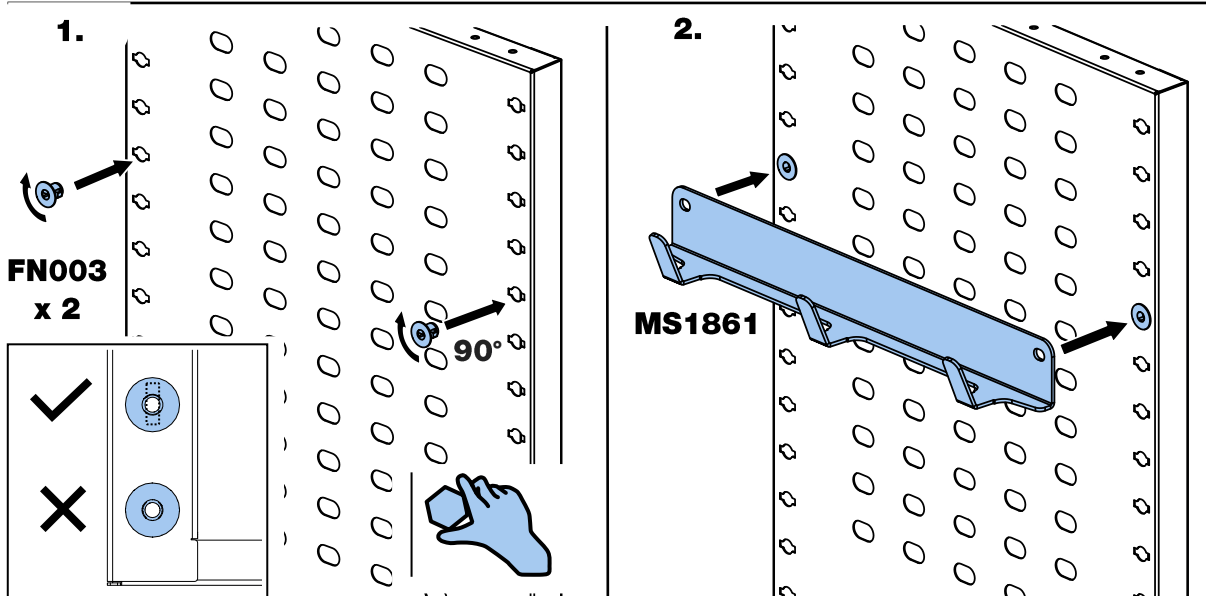


PS259
x 2



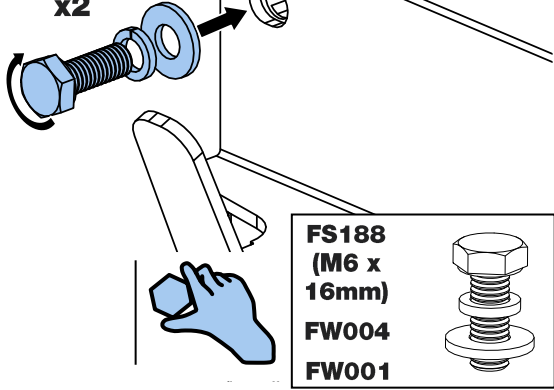
MS1861

x 1



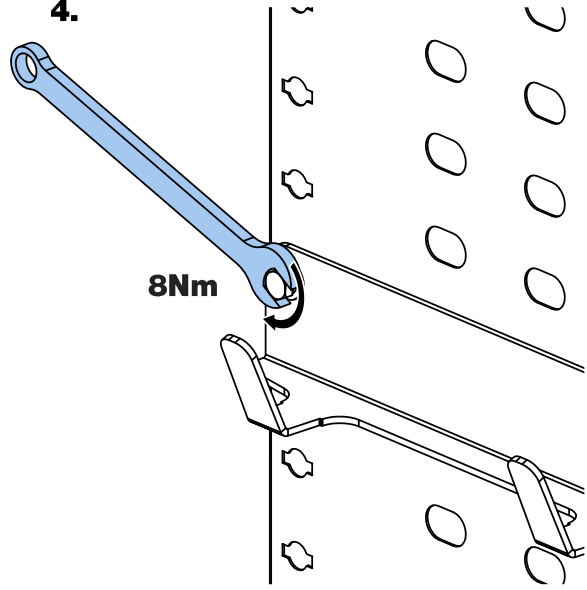
3.

x2



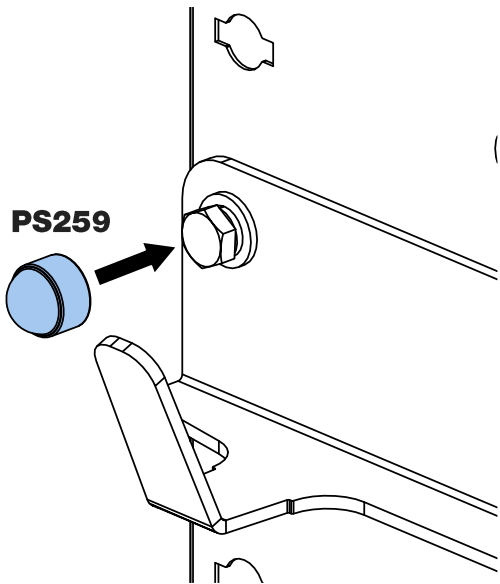
4.

8Nm



5.

PS259



5.

