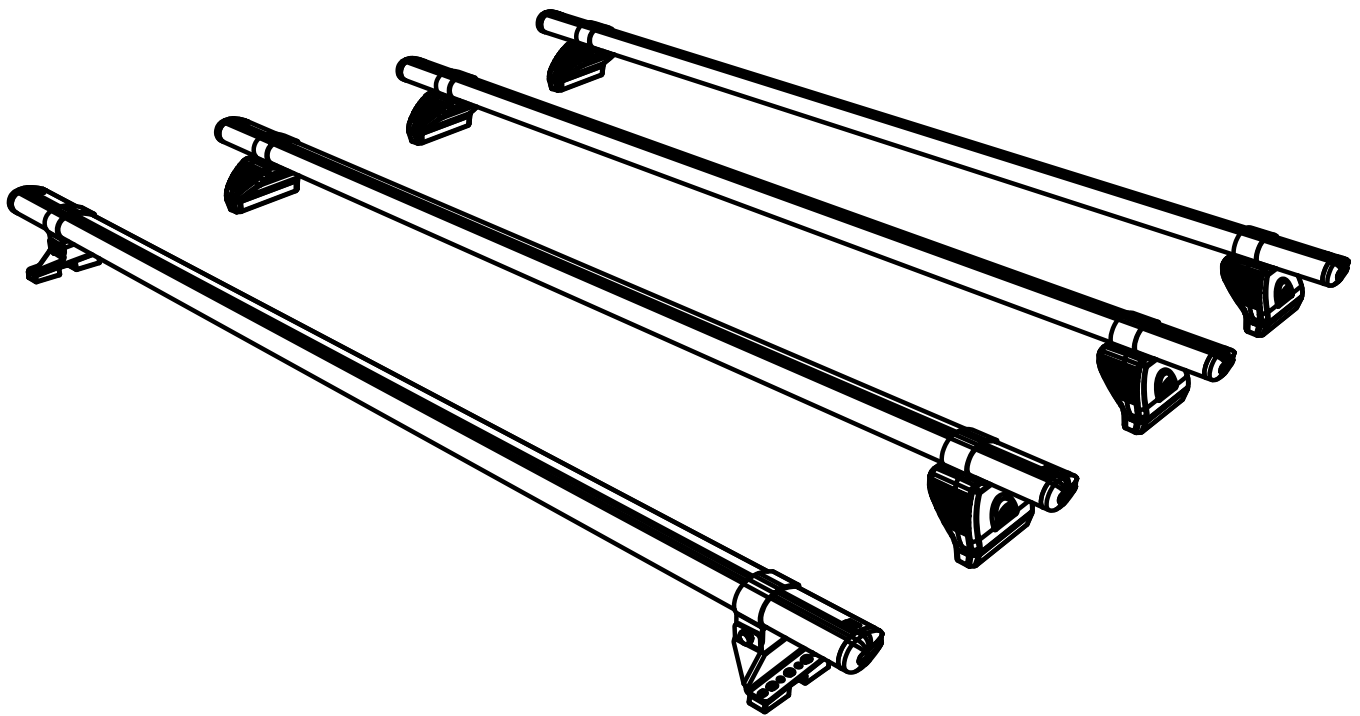


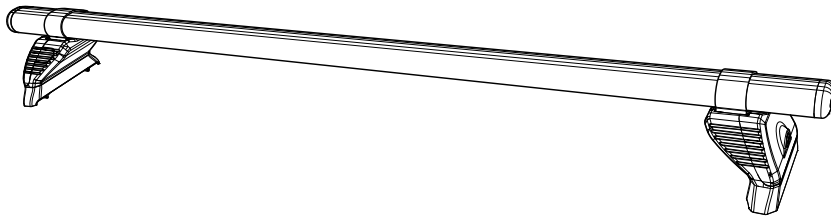
ISSUE:	DRAWN BY:	CHECKED BY:	CRF No:	DATE:	DESCRIPTION:
a	SJ	KB	2832	16/11/22	First Issue
b					
c					
d					
e					
f					
g					
h					
i					
j					
k					
l					
m					

MB4FL KammBar Instructions



CITY CRASH (✓)

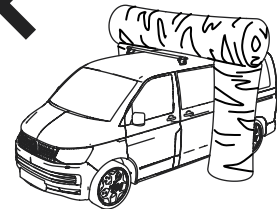
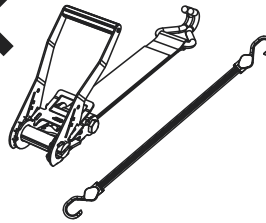
According to ISO/ PAS 11154:2006



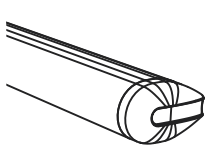
KammBar Fleet x 1
2.5kg/5.5lbs



Max
50kg/110lbs



KammBar Fleet



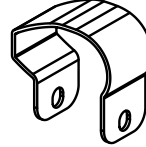
SA395 x 4



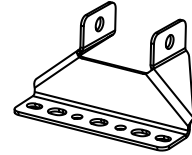
SA397 x 3



SA398 x 3

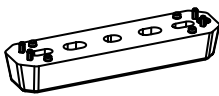


MS1142 x 2



MS1664 x 2

Fitting Kit



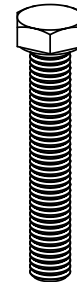
PS183 x 6



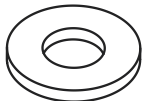
FT01 x 1



FN020 (M6) x 14



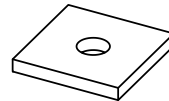
FS042
(M6 x 40)
x 12



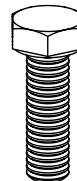
FW001 (M6) x 14



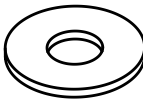
FW008 (M6) x 14



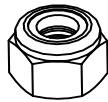
PS024 x 12



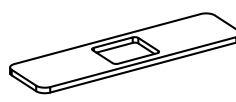
FS001
(M6 x 20)
x 2



FW002 (M8) x 4



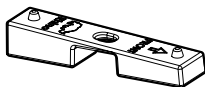
FN006 (M8) x 2



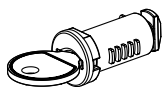
PS047 x 2



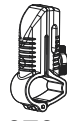
FB003 (M8
x 65) x 2



PS035 x 2

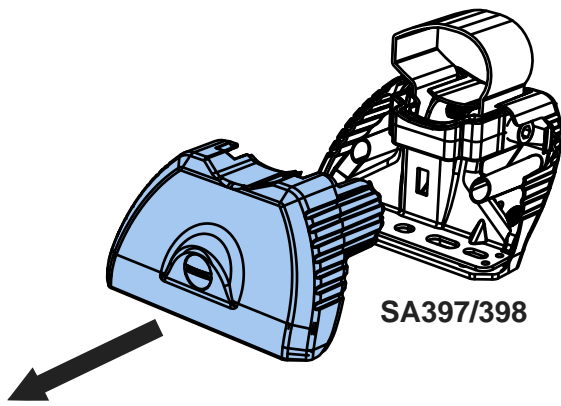


C04 x 4
optional upgrade

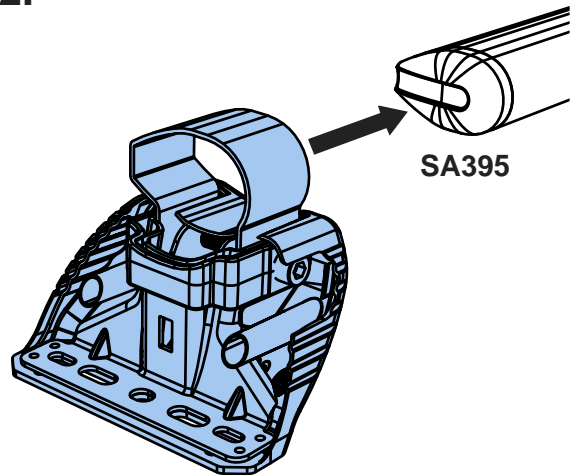


SA070 x 4
optional upgrade

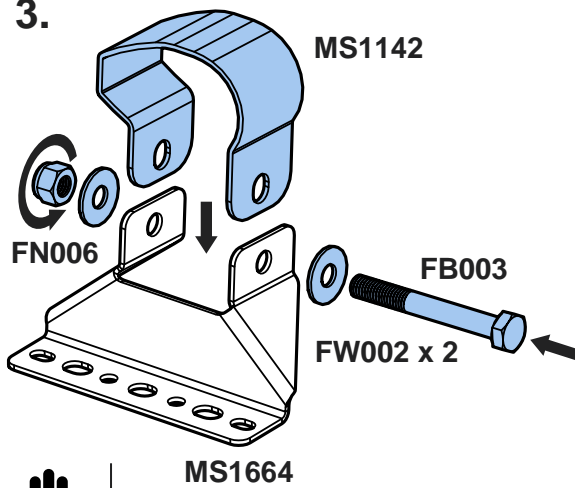
1.



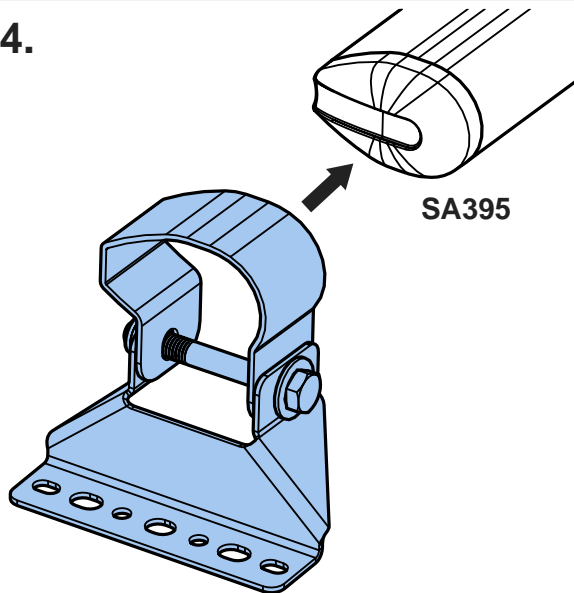
2.



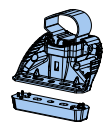
3.



4.

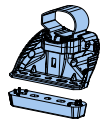


5.



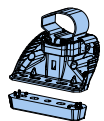
SA397

PS183



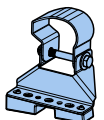
SA397

PS183



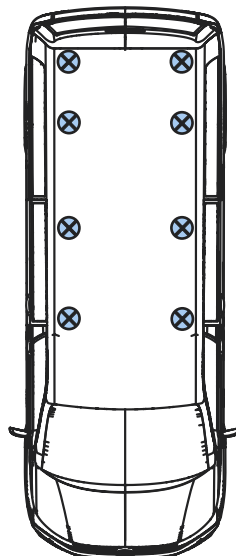
SA397

PS183

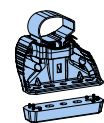


MS1664

PS035

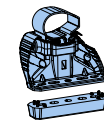


SA398



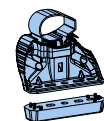
PS183

SA398



PS183

SA398

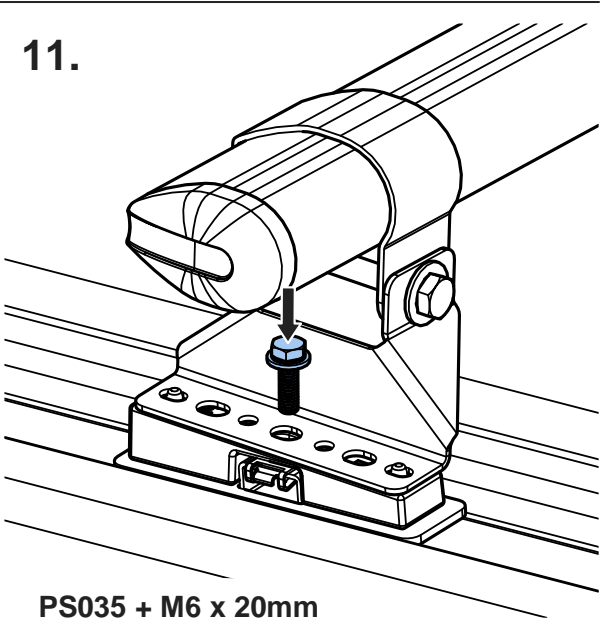
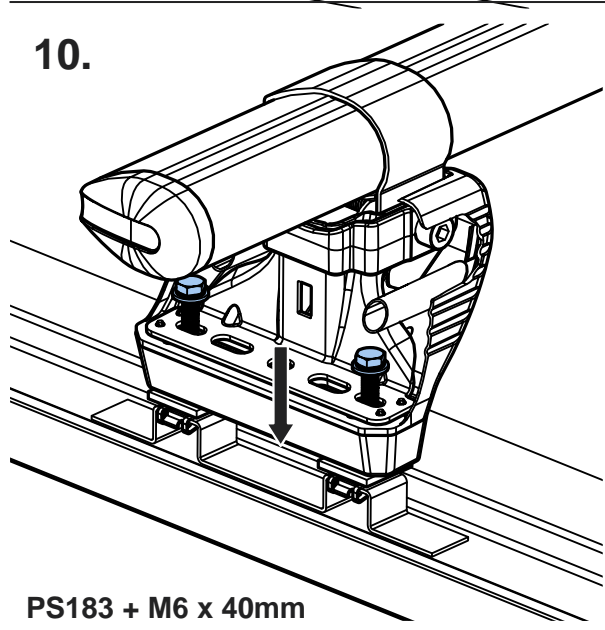
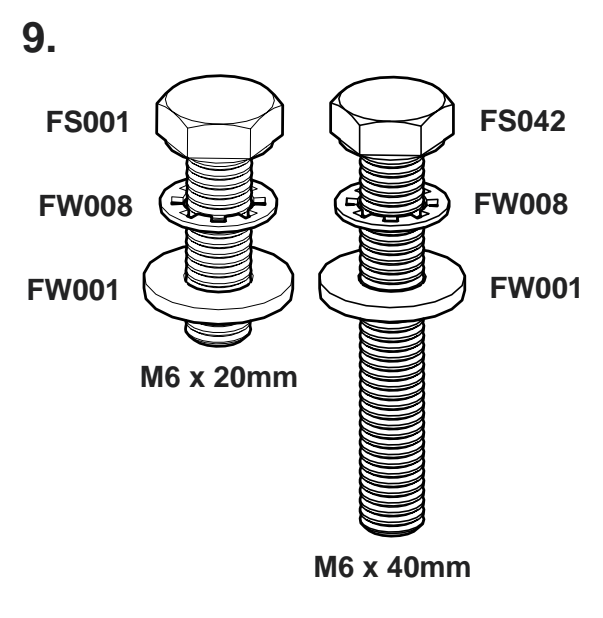
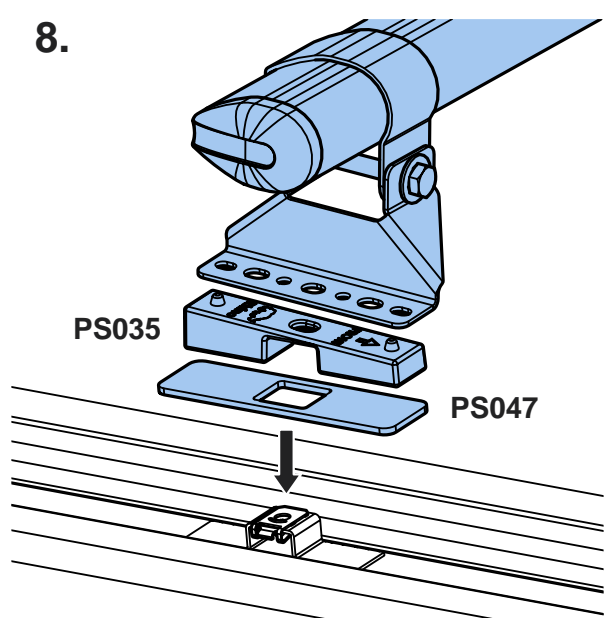
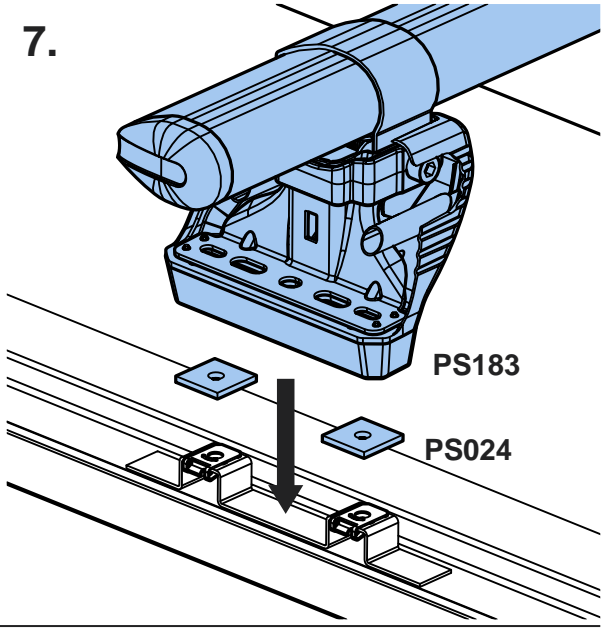
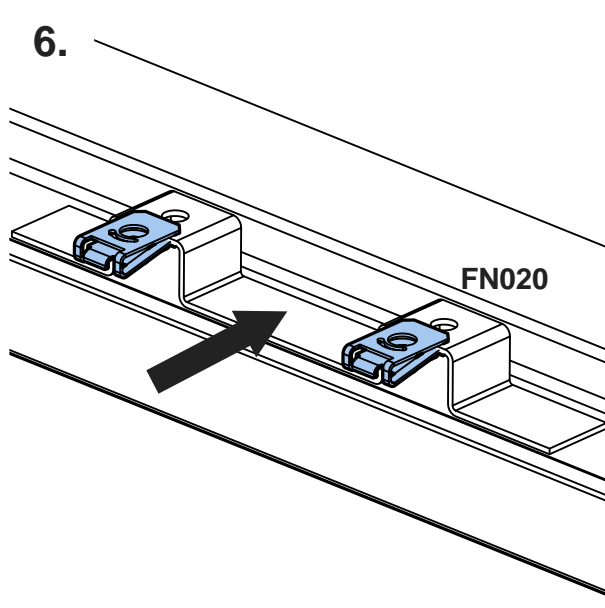


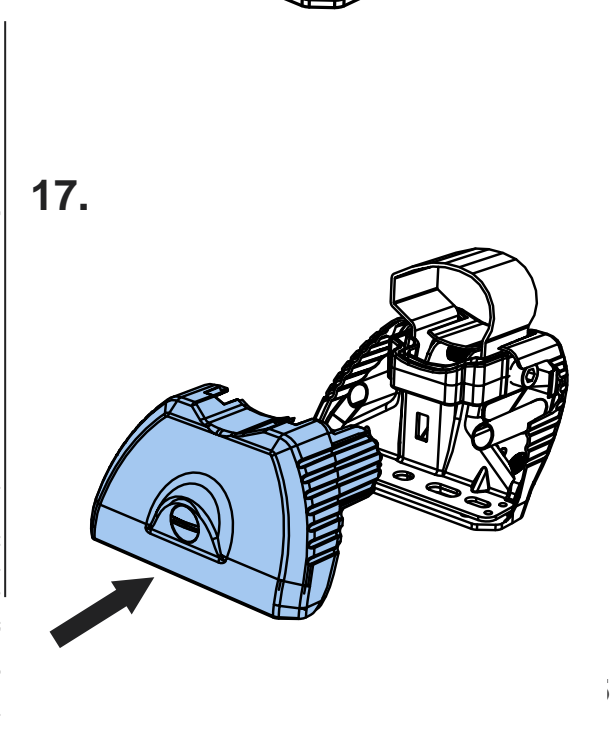
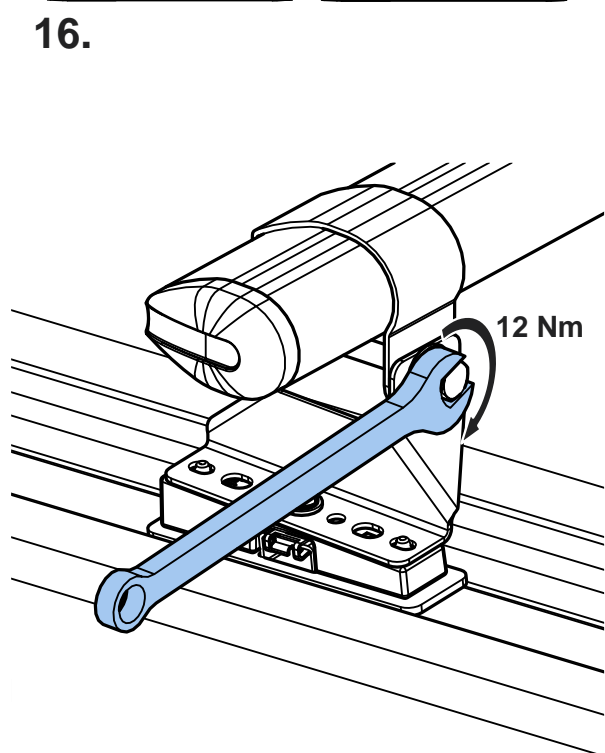
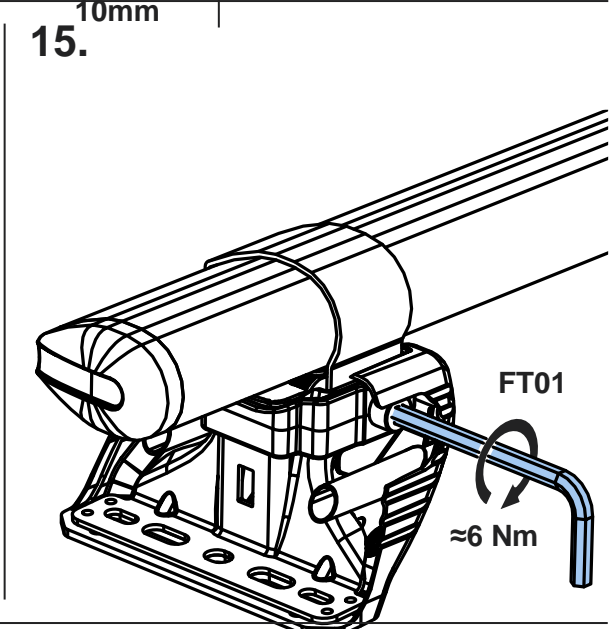
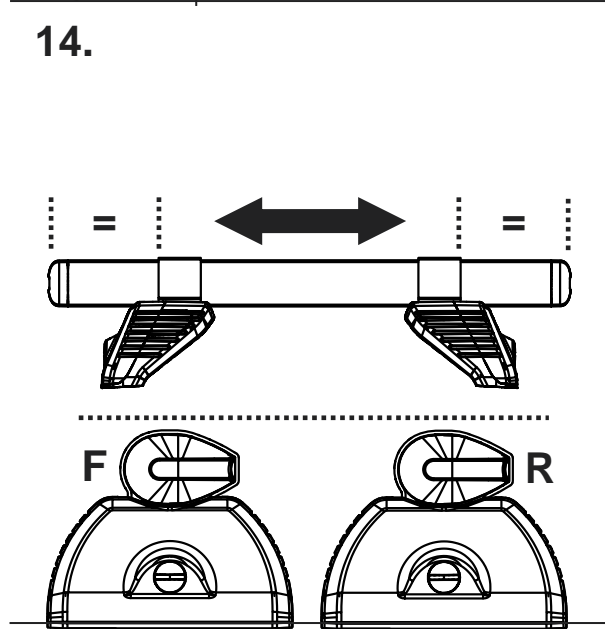
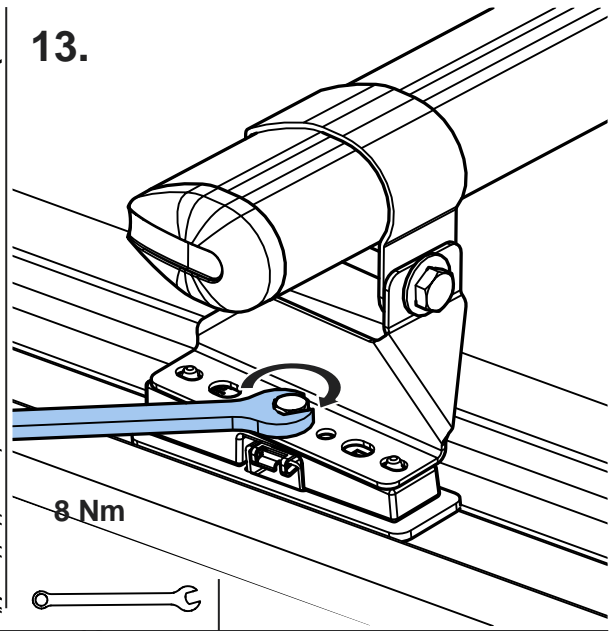
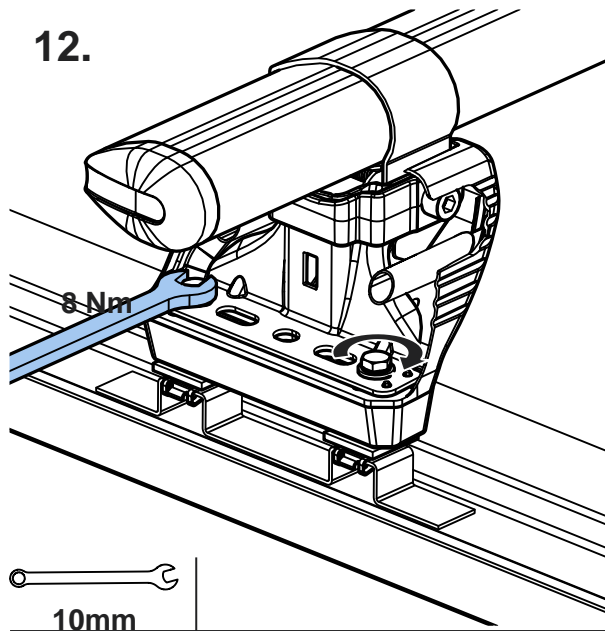
PS183

MS1664



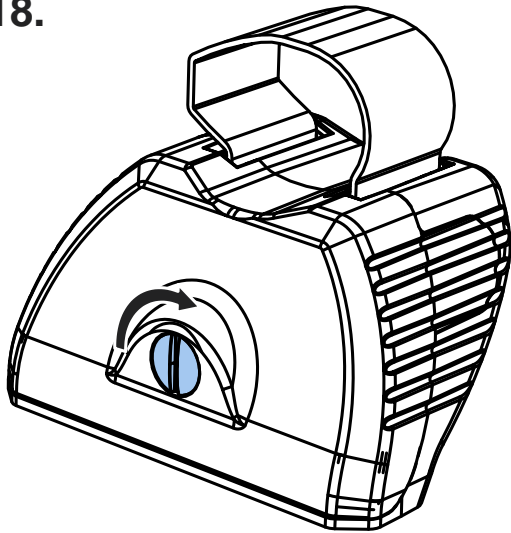
PS035





13mm x 2

18.



19.

