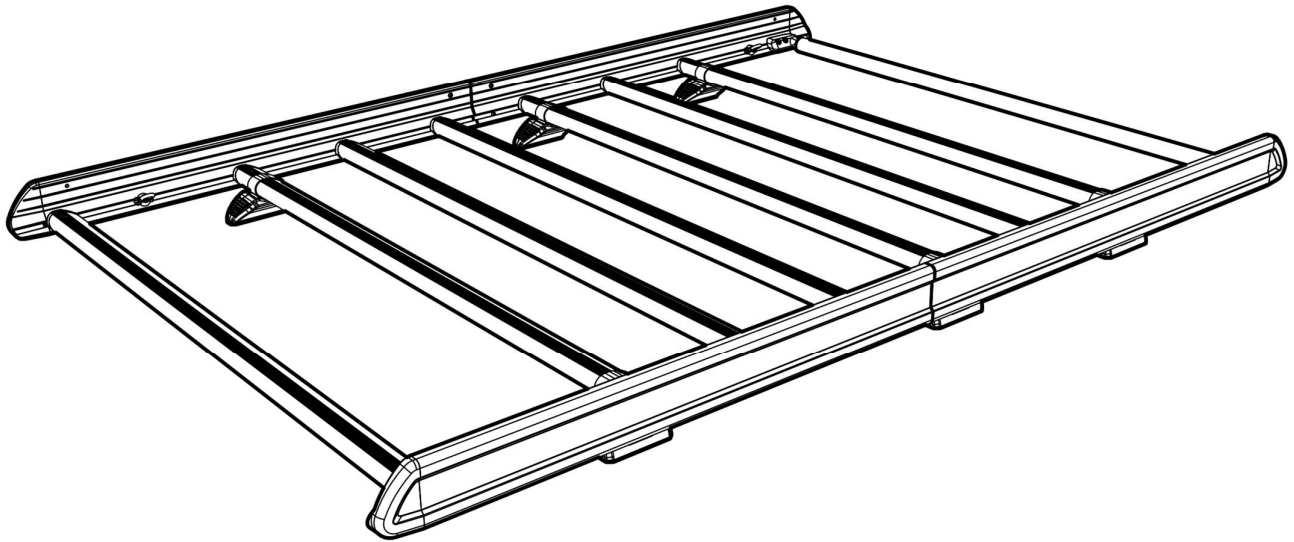


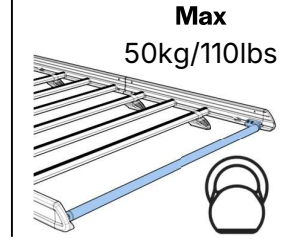
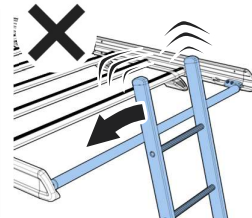
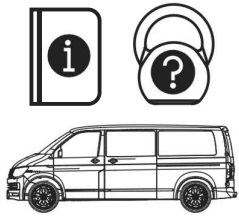
<b>Issue:</b>	<b>Drawn By:</b>	<b>Checked By:</b>	<b>CRF No.:</b>	<b>Date:</b>	<b>Description:</b>
a	SJ	KB	3609	21/10/25	First Issue
b					
c					
d					

# **XC4KE**

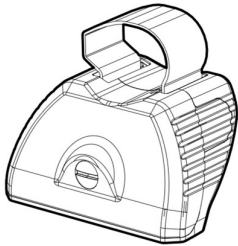
# **KammEdge.**

## **Instructions**

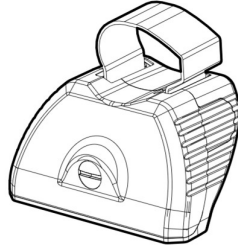




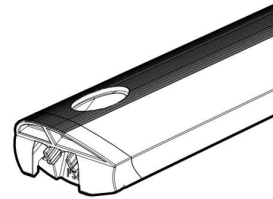
**KammEdge.**



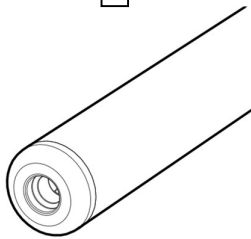
**SA397U x 4**



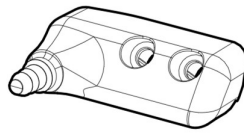
**SA398U x 4**



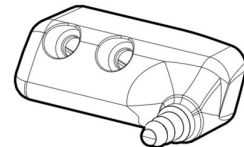
**SA430/SA468 x 8**



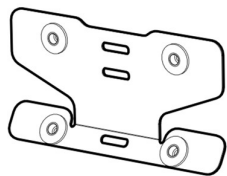
**SA438 x 1**



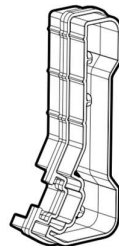
**PS519 x 1**



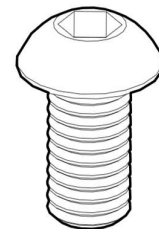
**PS520 x 1**



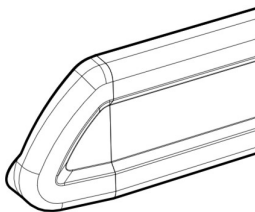
**SA610 x 2**



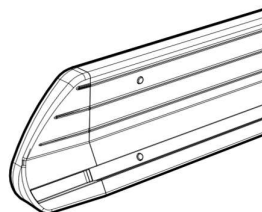
**PS635 x 2**



**FS323  
(M6 x 16) x 8**



**LSF (L) x 2**

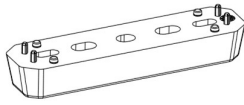


**LSF (R) x 2**

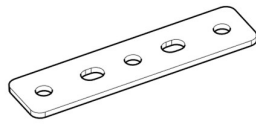


**C04 x 8**  
\*optional upgrade\*

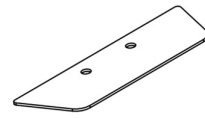
# Fitting Kit



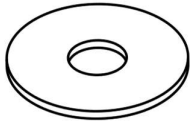
**PS183 x 8**



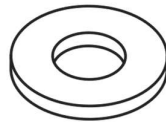
**PS023 x 8**



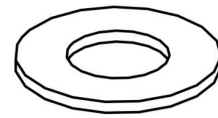
**PS619 x 2**



**PS208 (M8) x 10**



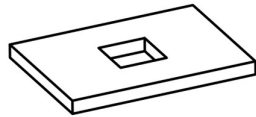
**FW002 (M8) x 10**



**FW021 (M8) x 8**



**FN006 (M8) x 14**



**MS209 x 6**



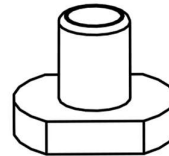
**PS020 (M8) x 6**



**SW525 x 2**



**FS059  
(M8 x 25) x 20**



**FN085 x 20**



**FS024  
(M8 x 100) x 6**



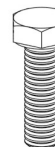
**FT05 x 1**



**FT01 x 1**

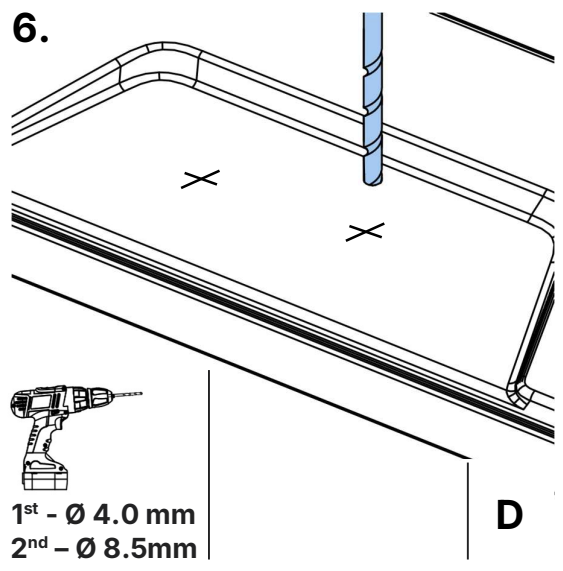
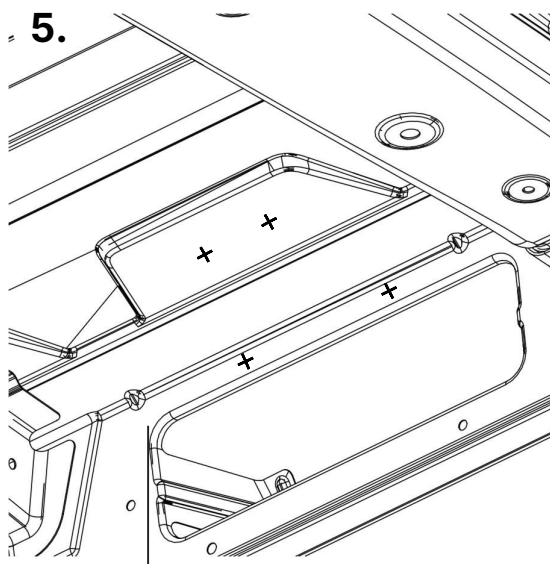
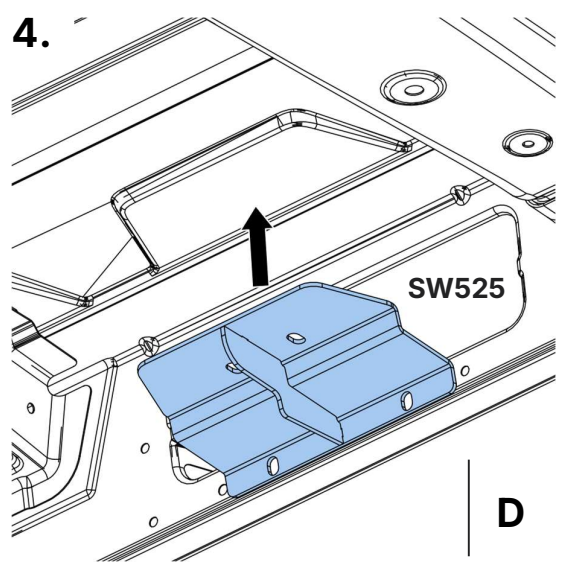
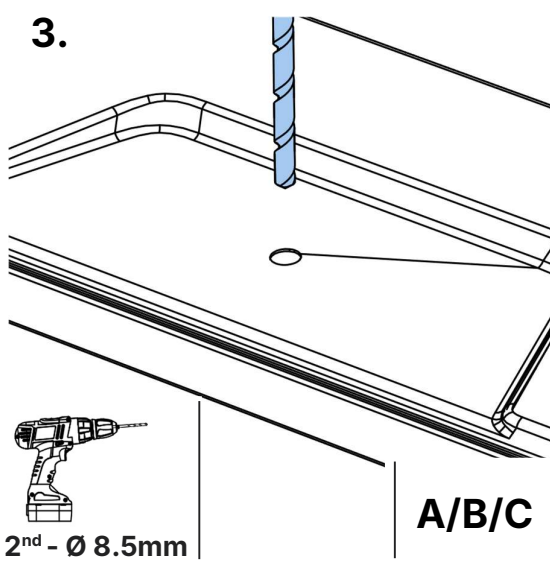
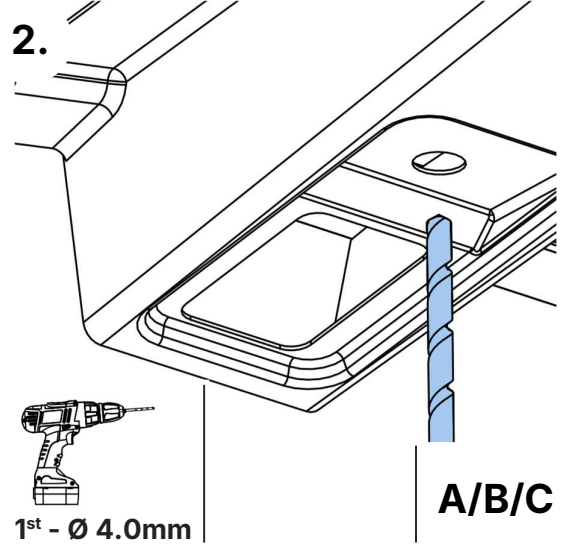
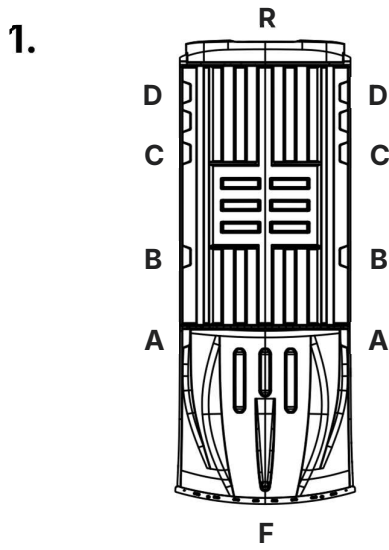


**FS081  
(M8 x 50) x 4**

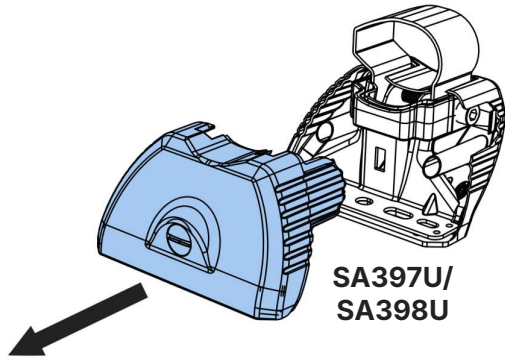


**FS067  
(M8 x 20) x 4**

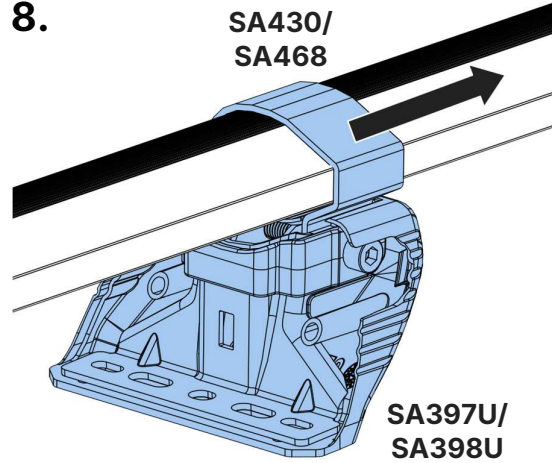




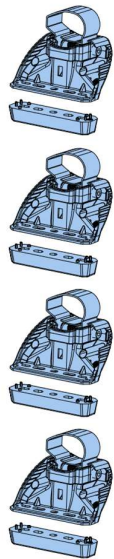
7.



8.



9.



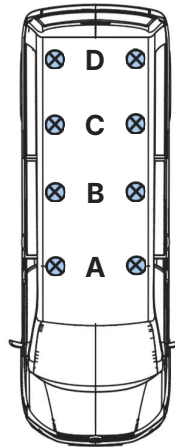
SA397U  
PS183

SA397U  
PS183

SA397U  
PS183

SA397U  
PS183

R



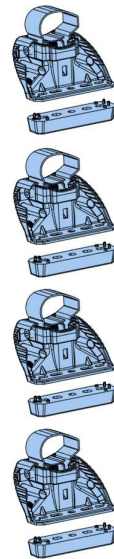
F

SA398U  
PS183

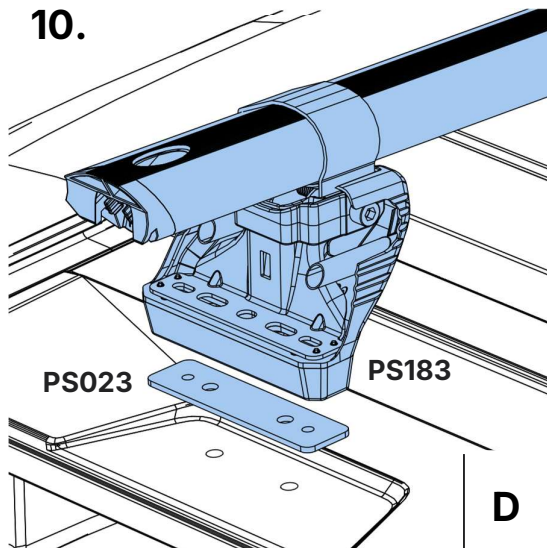
SA398U  
PS183

SA398U  
PS183

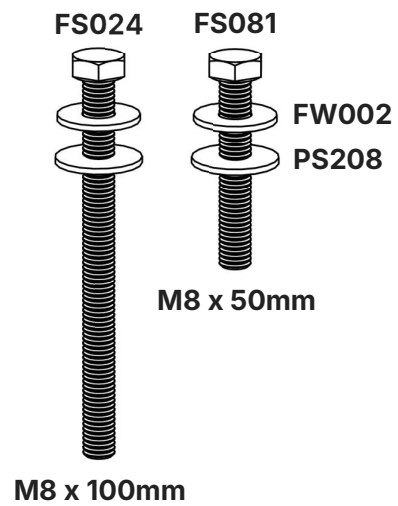
SA398U  
PS183

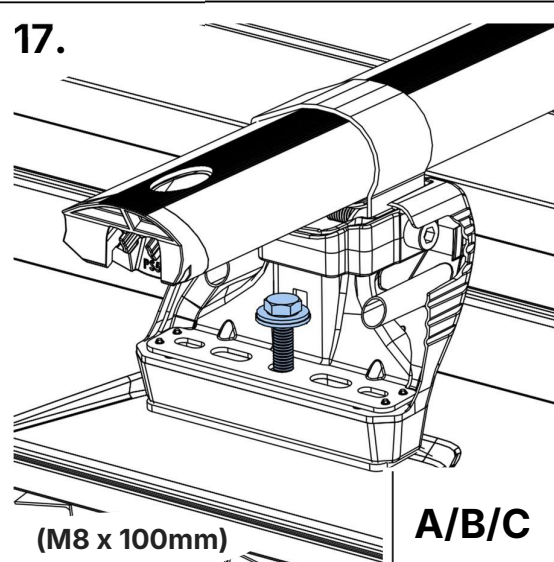
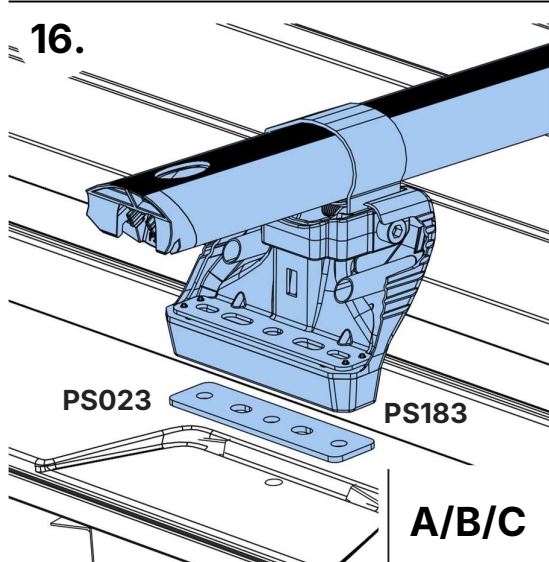
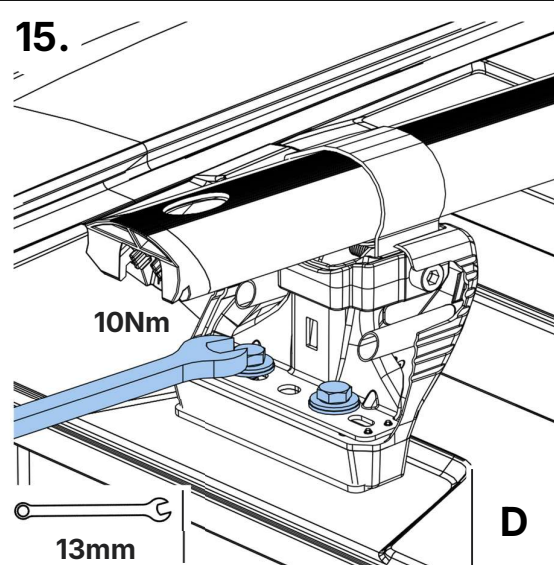
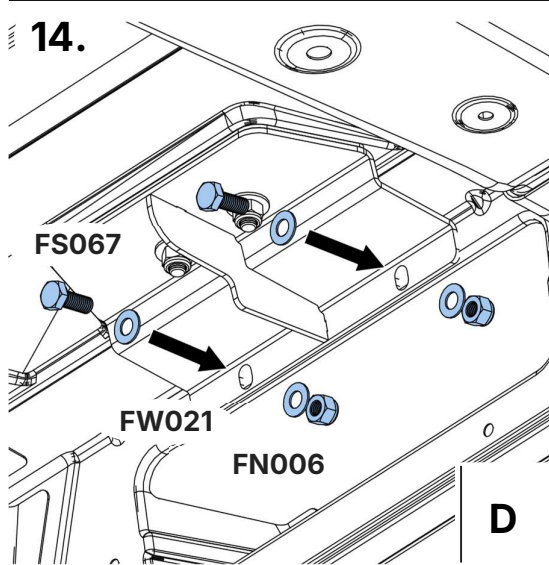
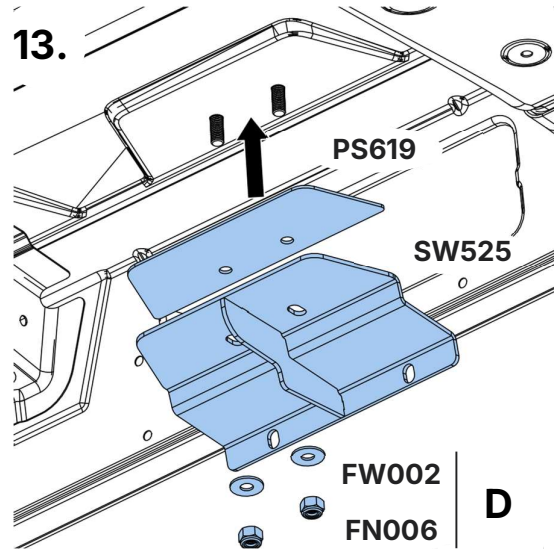
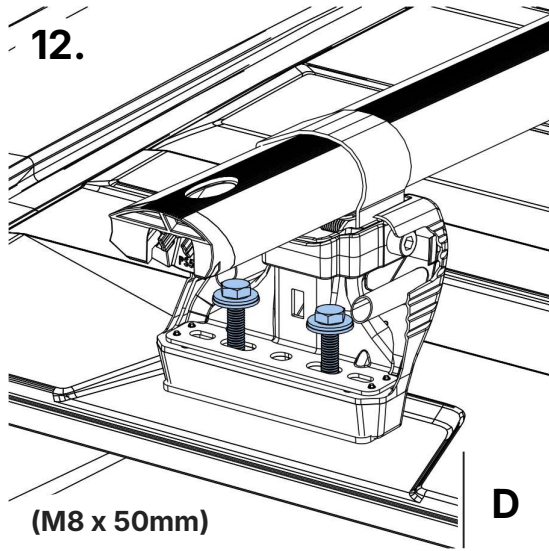


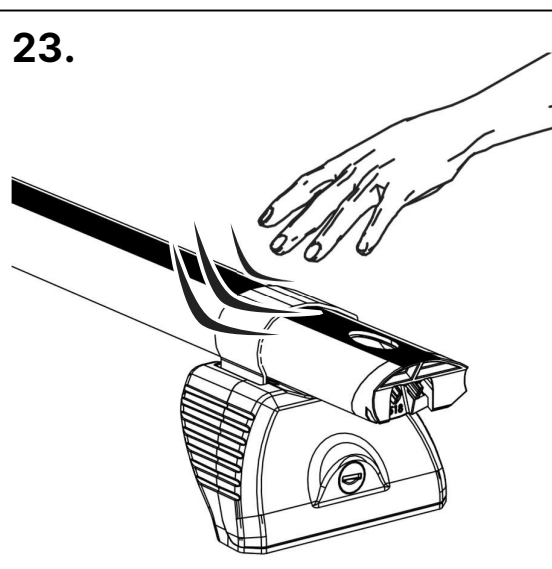
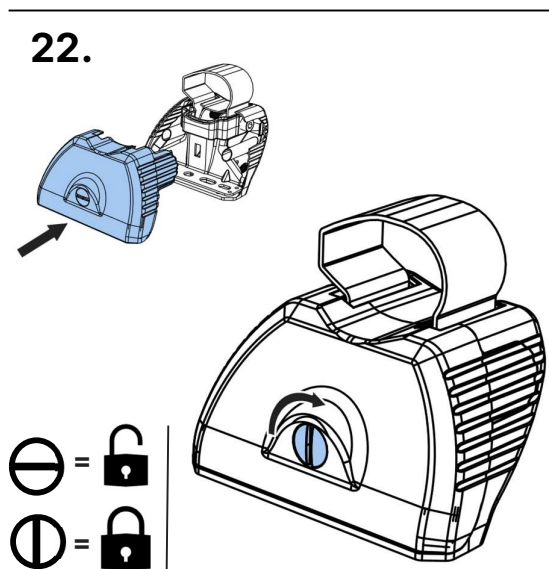
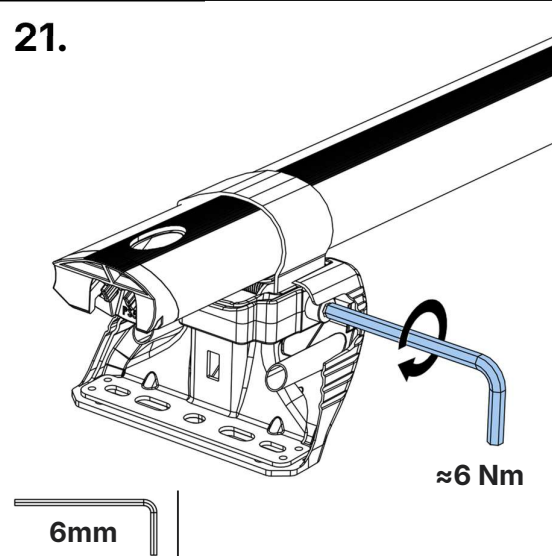
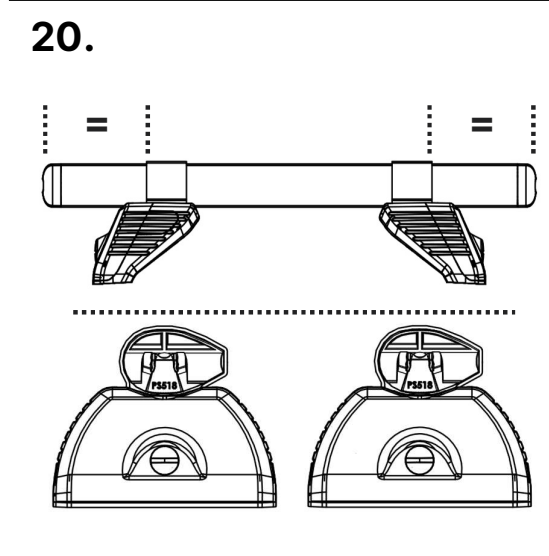
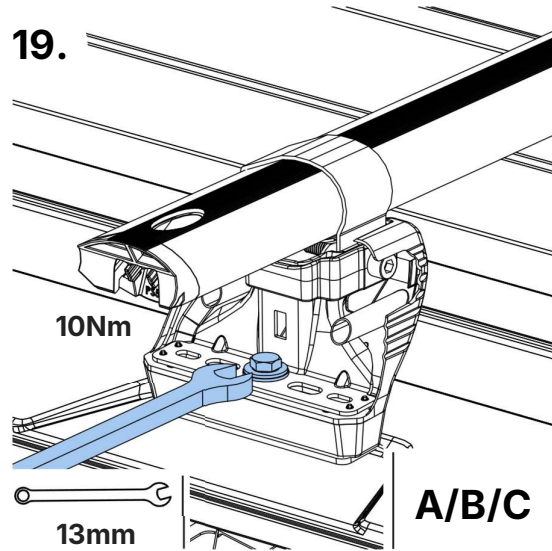
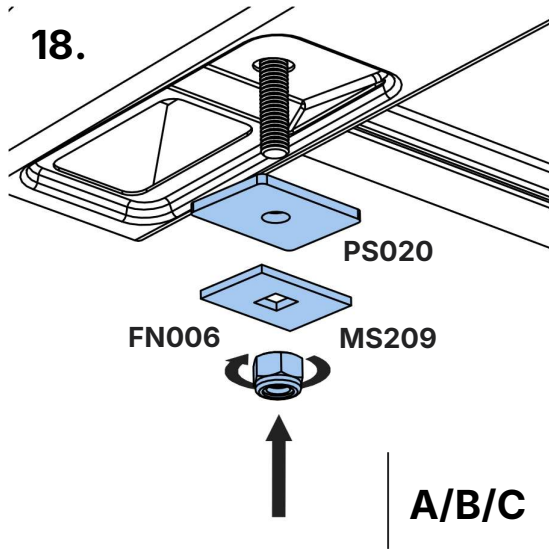
10.

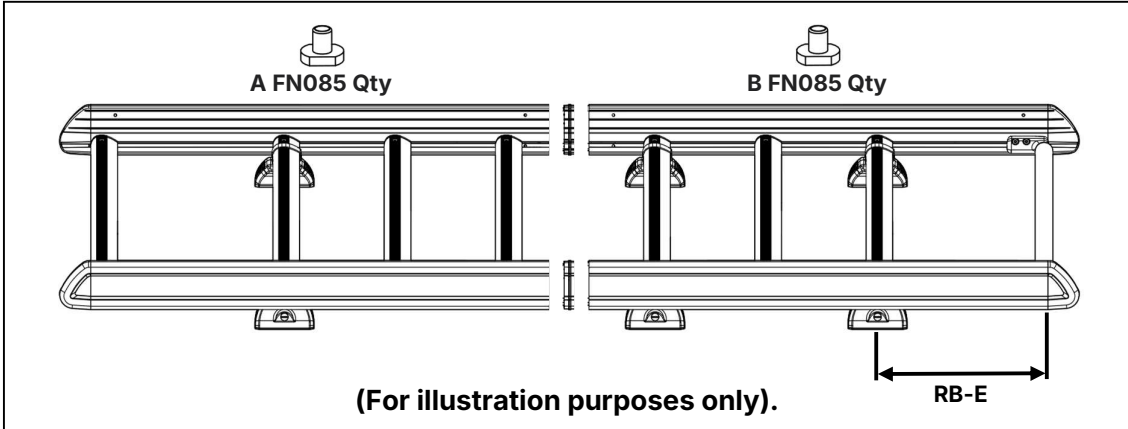


11.



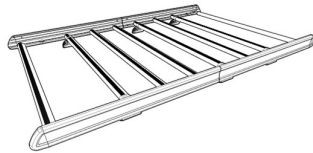




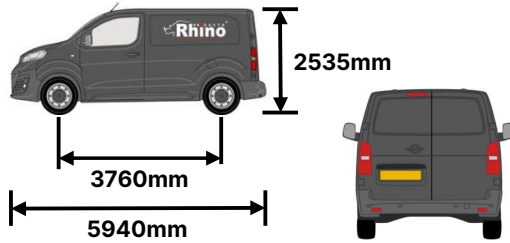


### L678/LB678- Deliver 9 2020-, L3-H2 (Twin)

Max Load = 150kg/330lbs



L678/LB678 = 29kg/64lbs



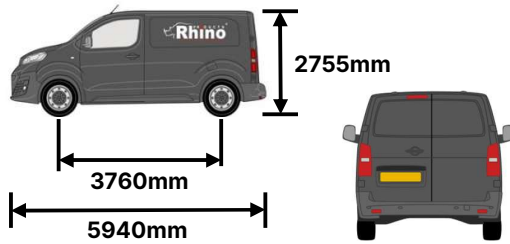
A FN085 Qty	B FN085 Qty	Rear Bar – End (mm)
4	6	280

### L679/LB679- Deliver 9 2020-, L3-H3 (Twin)

Max Load = 150kg/330lbs



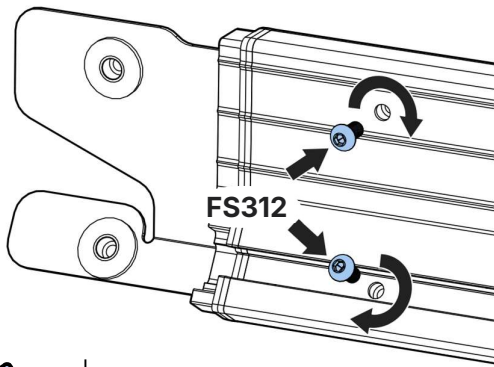
L679/LB679 = 29kg/64lbs



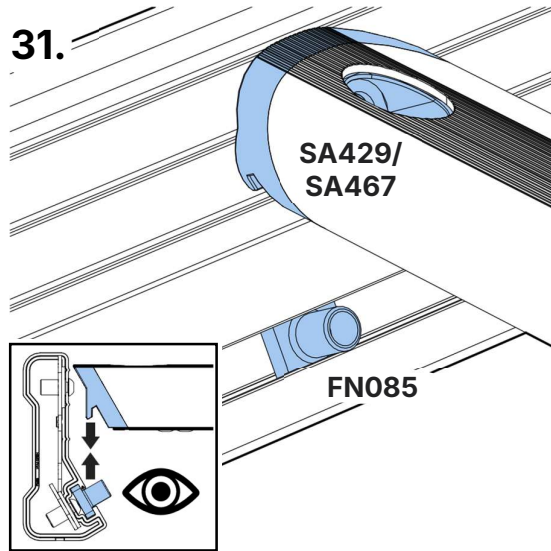
A FN085 Qty	B FN085 Qty	Rear Bar – End (mm)
4	6	358



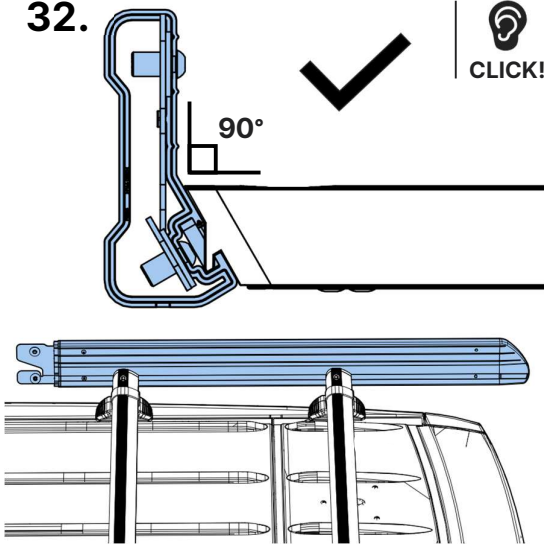
30.



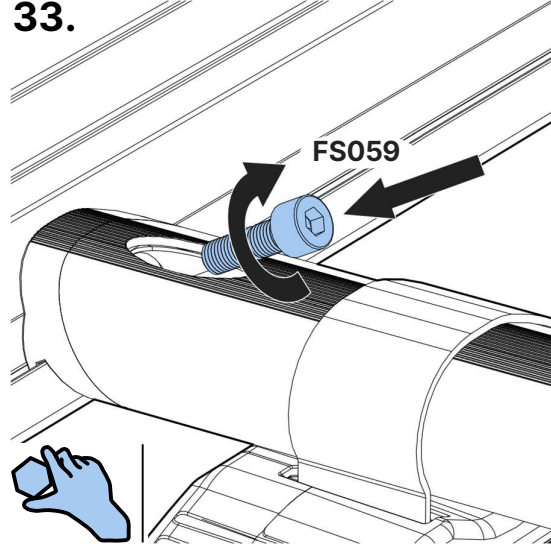
31.



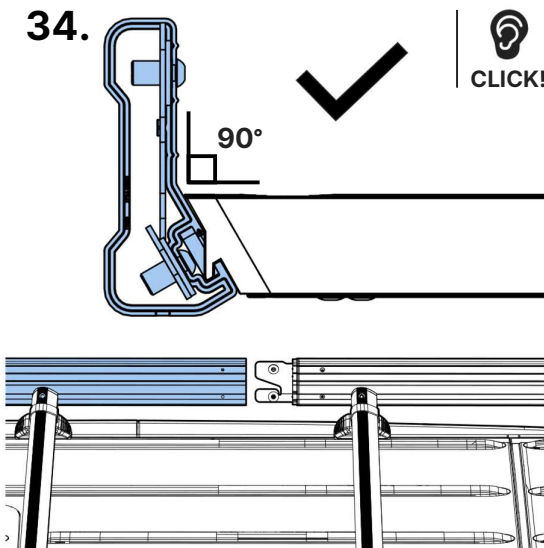
32.



33.



34.



35.

