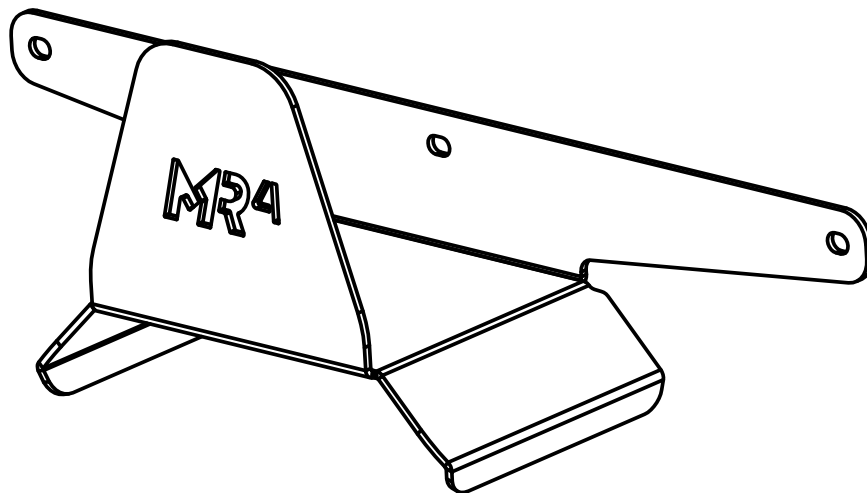
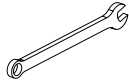


AC27 MR4 Instructions





≈5 min



10mm



4mm



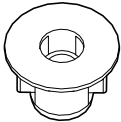
MS2018

x 1



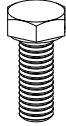
0.91 Kg

2.01 lbs



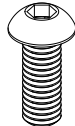
FN003
(M6)

x 2



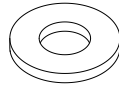
FS188
(M6x16)

x 2



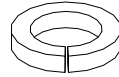
FS233
(M6x14)

x 1



FW001
(M6x13)

x 3



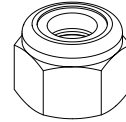
FW004
(M6)

x 2



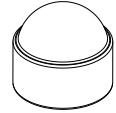
FW011
(M6x20)

x 1



FN001
(M6)

x 1



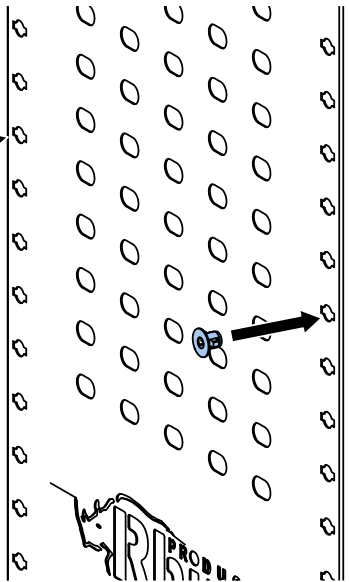
PS259
(M6)

x 2

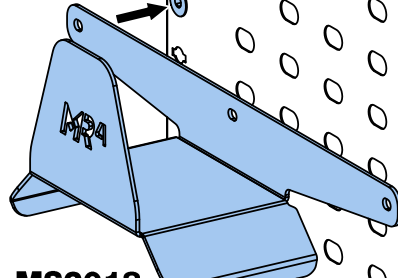


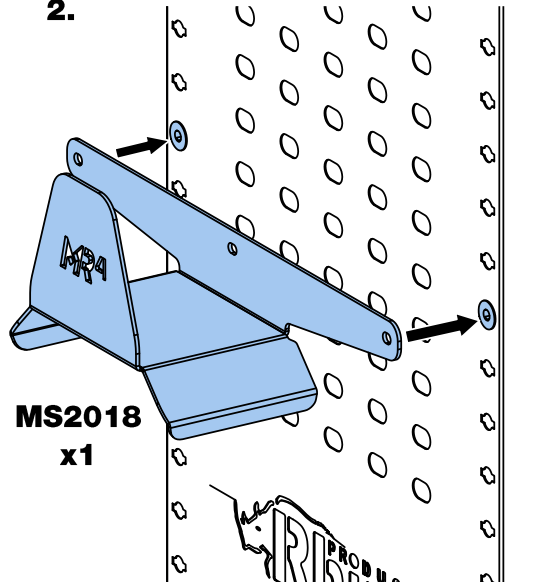
1.


FN003
x2



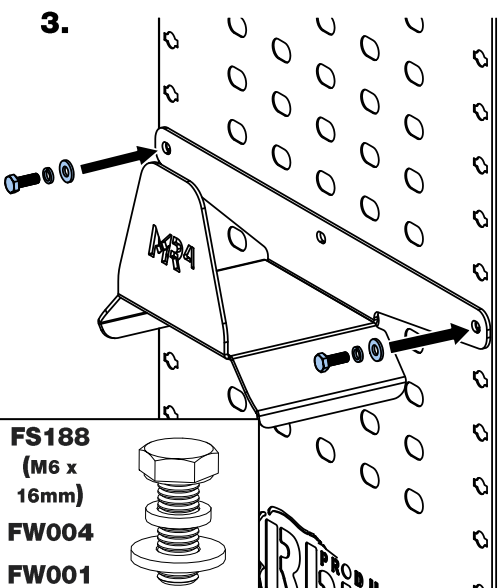
2.


MS2018
x1



3.


FS188
(M6 x 16mm)
FW004
FW001



4.


FS233
(M6 x 14mm)
FW001

