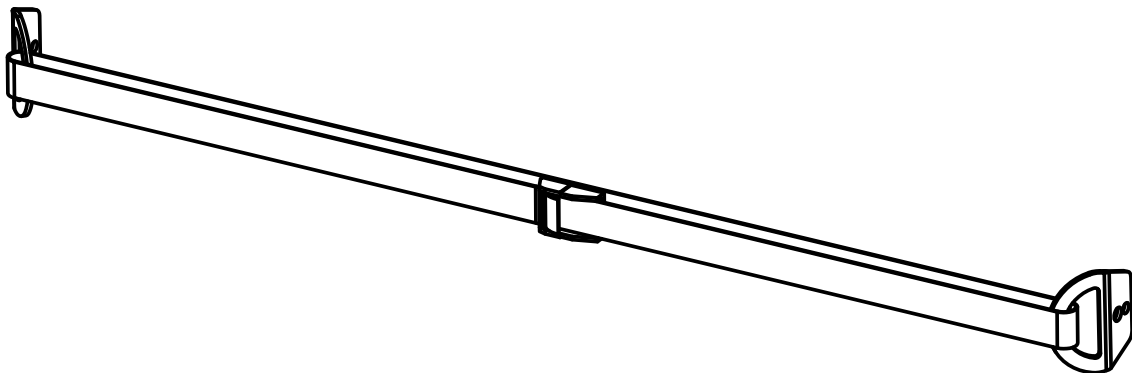
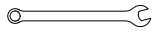
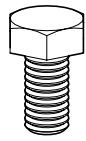


AC21FI MR⁴ Instructions



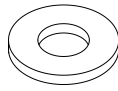


10mm



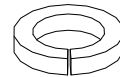
FS188
(M6x16)

x 2



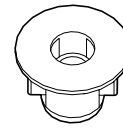
FW001
(M6)

x 2



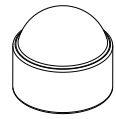
FW004
(M6)

x 2



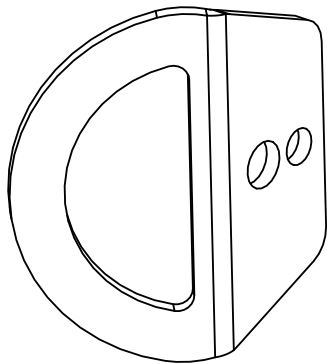
FN003
(M6)

x 2



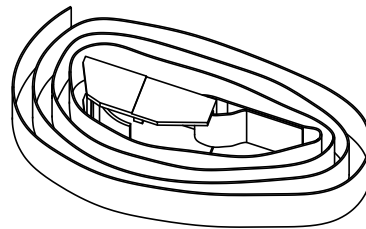
PS259
x 2

x 2



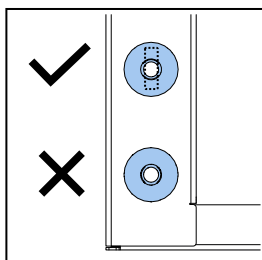
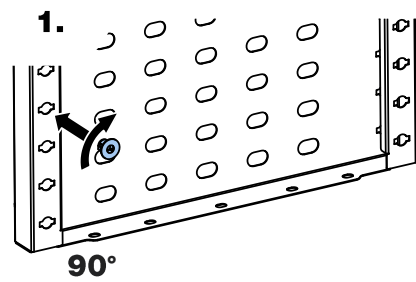
EYE 1

x 2

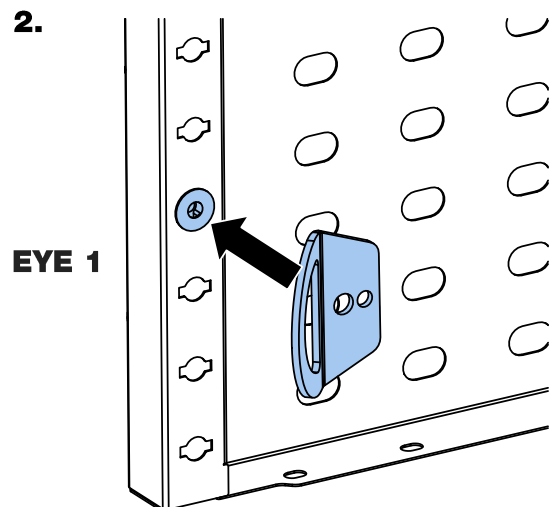
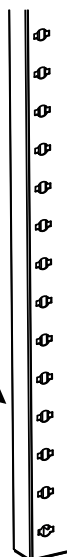


AC20

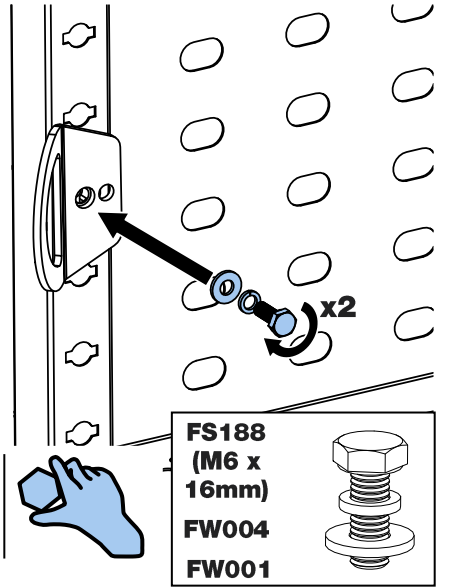
x 1



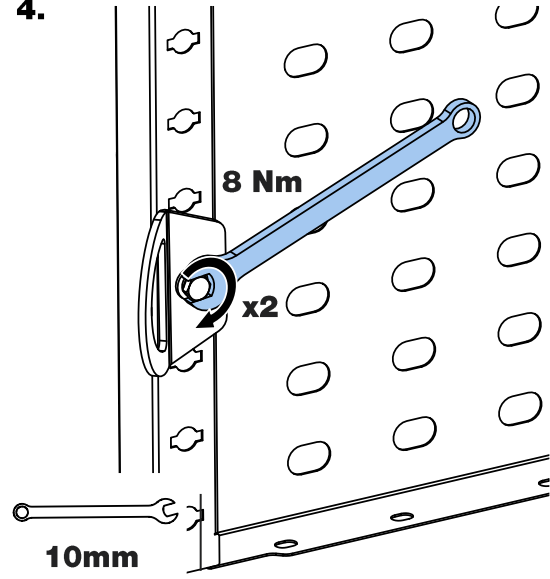
FN003 x2



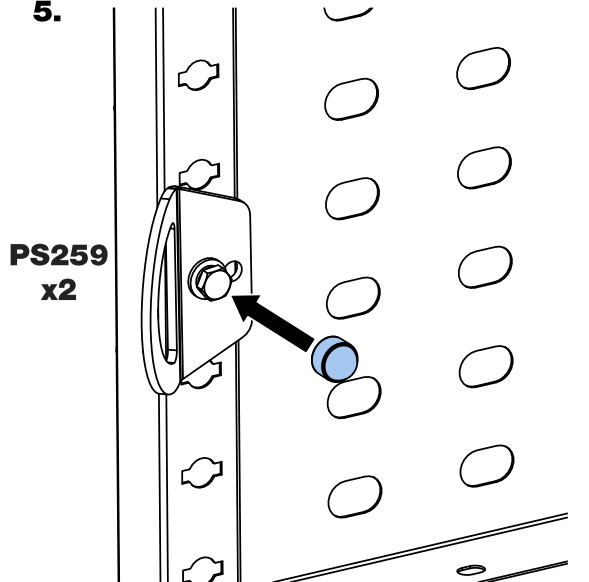
3.



4.



5.



6.

