


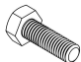


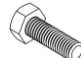













VECTA BAR™ Fitting Instructions

3 Bar Roof Kit – Citroen Relay, Fiat Ducato & Peugeot Boxer (All) [2006 onwards]

3 Bar Kit: IA3VFK			
Roof Bar HS06-37		QTY 3	Checked <input type="checkbox"/> Total Weight: 5.982 Kg
Foot Pack Kit			
Item		QTY	<input type="checkbox"/>
06 – NS		3	<input type="checkbox"/>
06 – OS		3	<input type="checkbox"/>
		6	<input type="checkbox"/>
M8 x 20		6	<input type="checkbox"/>
M8 x 20		12	<input type="checkbox"/>
M8		6	<input type="checkbox"/>
M6 x 20		12	<input type="checkbox"/>
M6		12	<input type="checkbox"/>
FOOT PACK COMPLETED BY: _____			Foot Pack Weight: 0.784 Kg

Load Stop Kit			
Item Load stop		QTY 4	Checked <input type="checkbox"/>
Crown		4	<input type="checkbox"/>
M6 x 40		4	<input type="checkbox"/>
Spanner		1	<input type="checkbox"/>
LOAD STOP KIT COMPLETED BY: _____			LS Kit Weight: 0.38Kg




Top Hat Kit			Number of TH Kits per bar:
Item per bar Top Hat 1		QTY per bar 2	
M8 x 80		2	
M8 x 20		4	
M8		2	
TH KIT COMPLETED BY: _____			TH Kit Weight: 0.29 Kg (per bar)

10 - 25 Mins

8 - 15 Mins



All times are approximate from Hubb Systems testing and kit dependant

10 mm

13 mm


13 mm

MAX 75 kg KG

MAX 75 kg KG

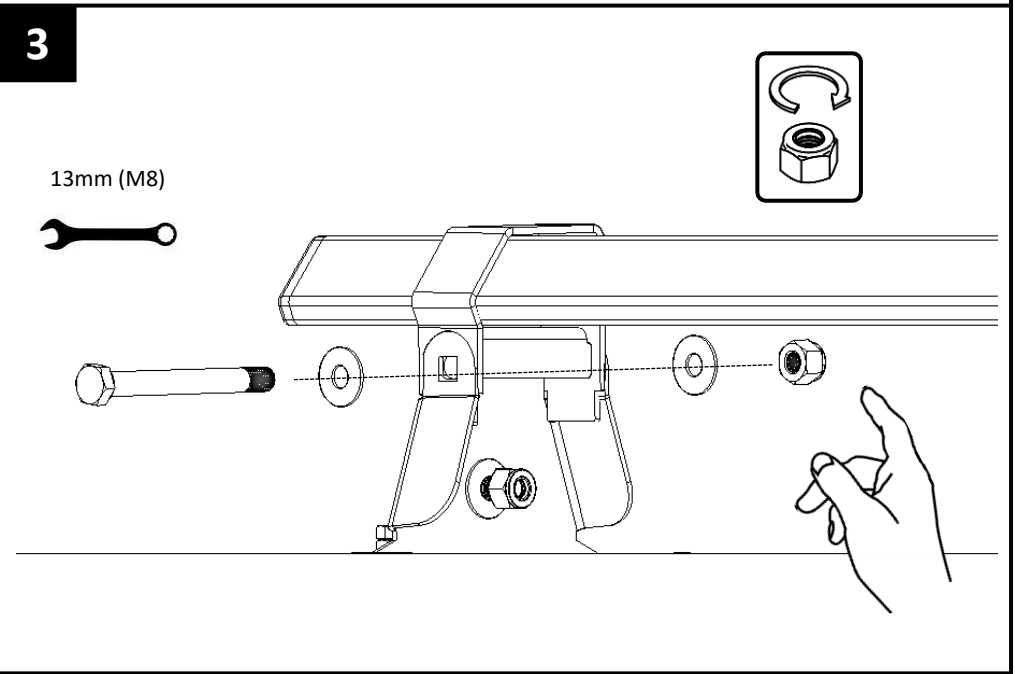
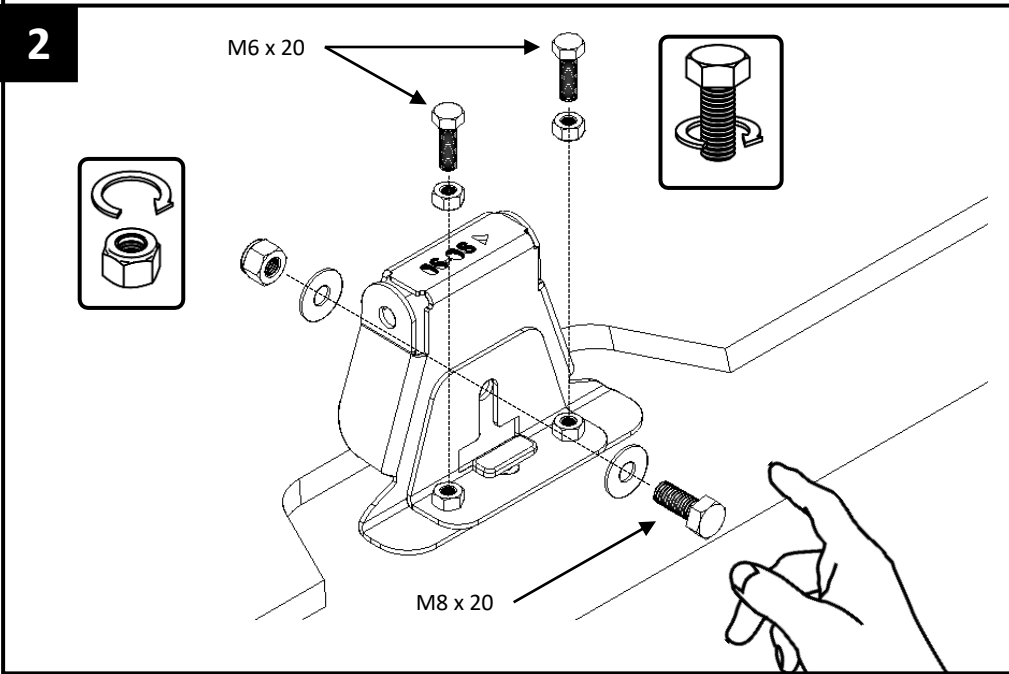
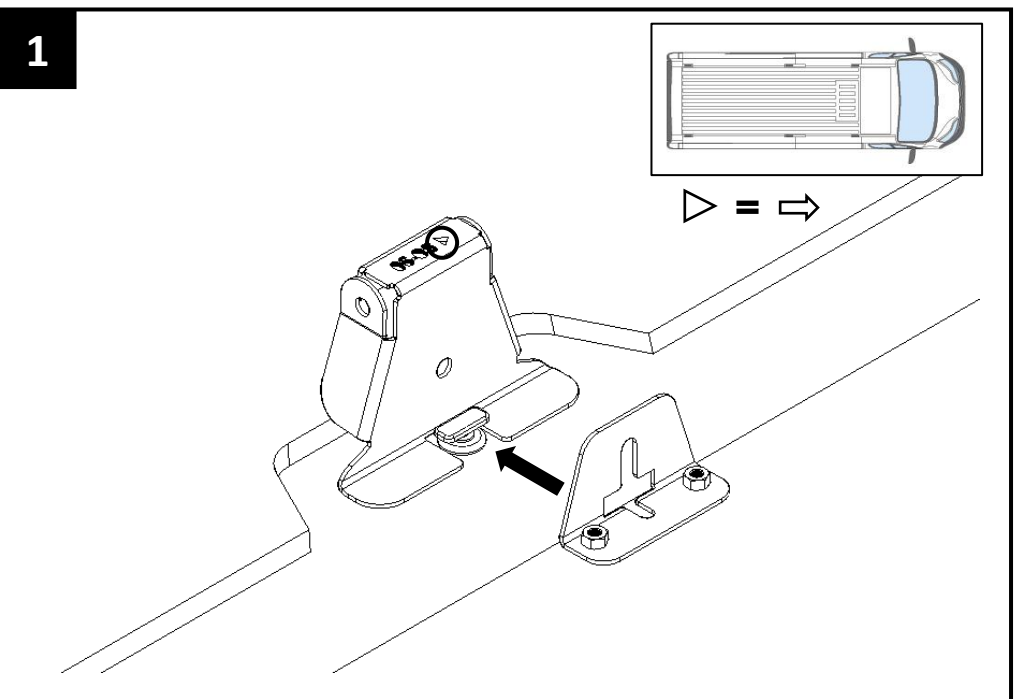
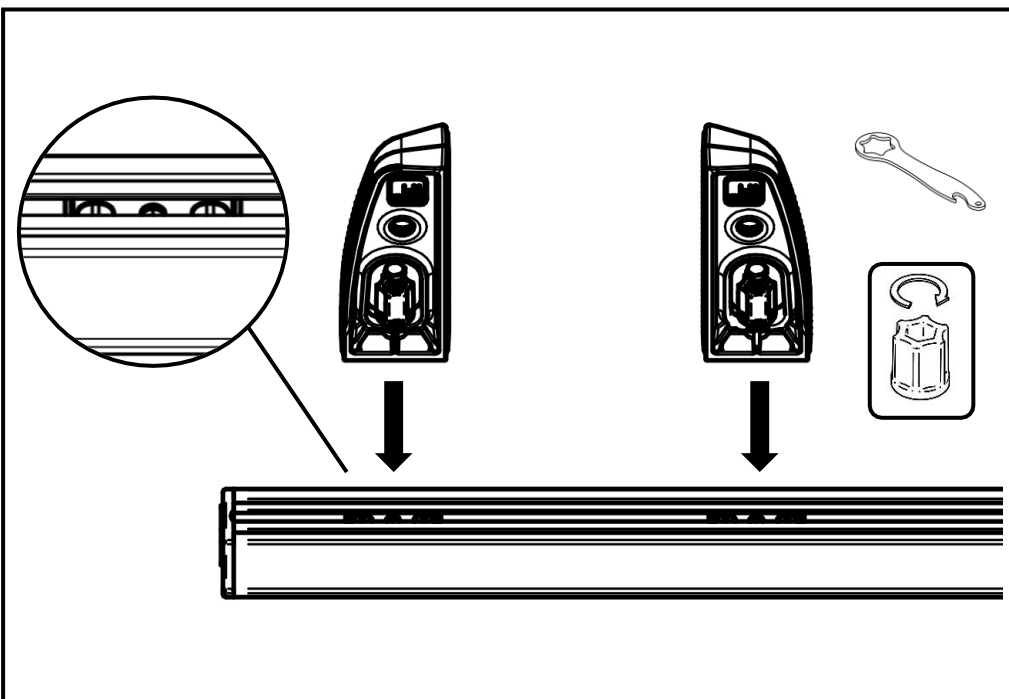
Subject to your Vehicle Handbook Guidelines



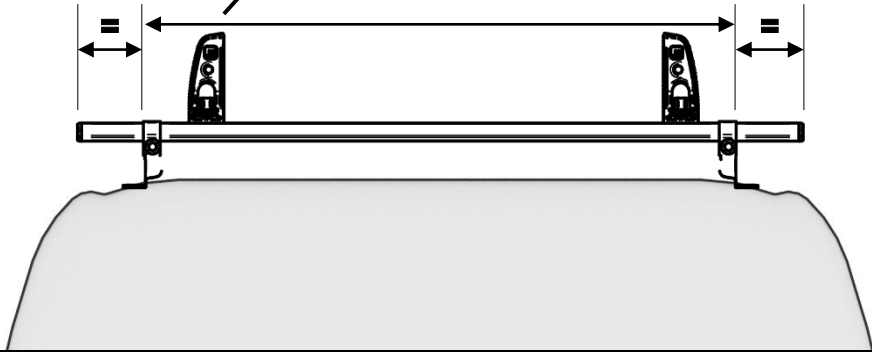
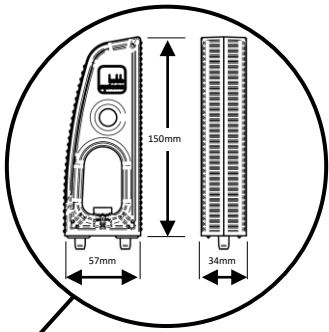
Please follow these instructions carefully and thoroughly to ensure that your product functions correctly

DATE PACKED: _____

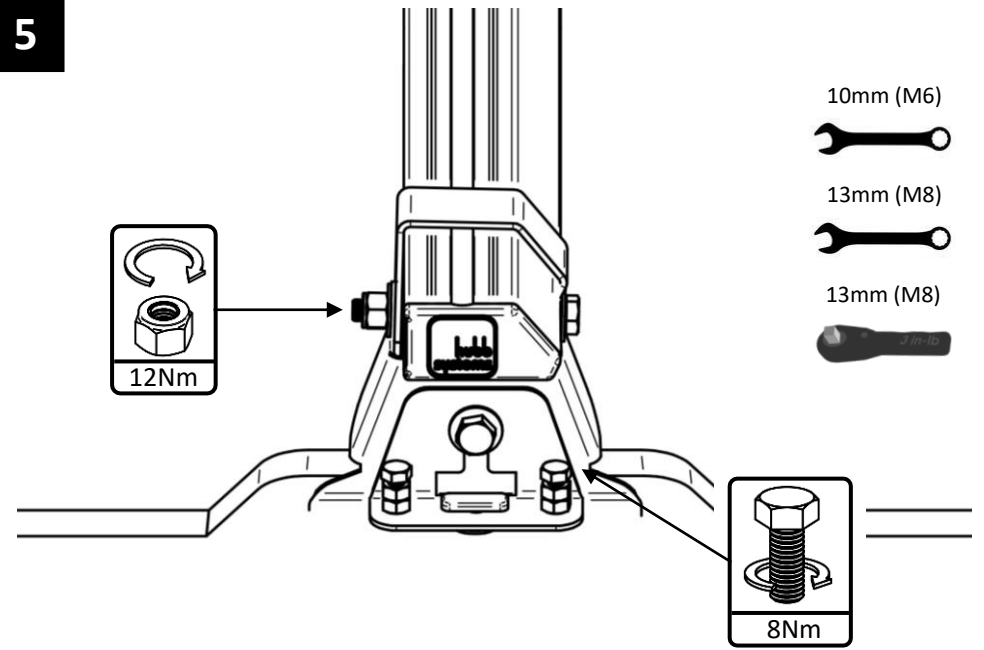
ORDER PACKED BY: _____



4



5



6

