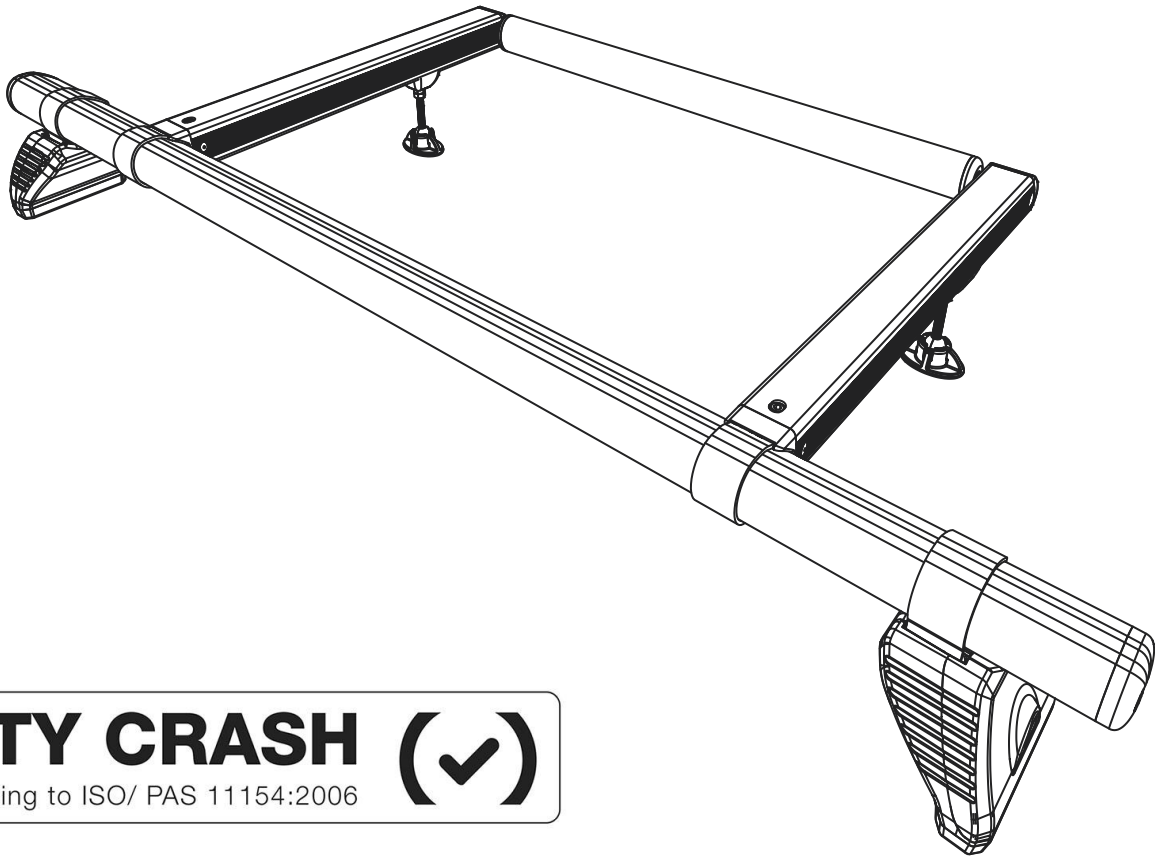


KR36 KammRoller

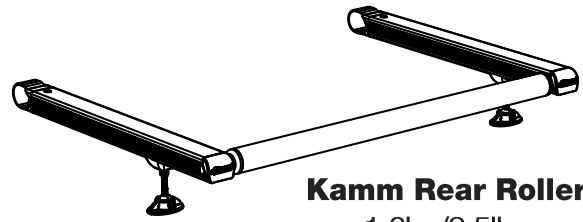
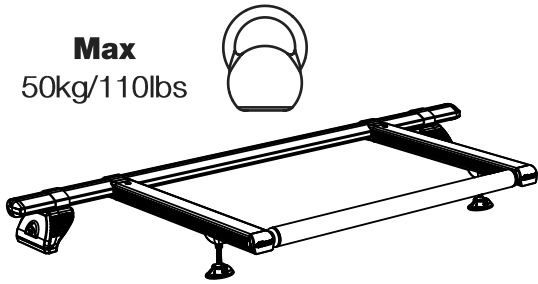
Instructions



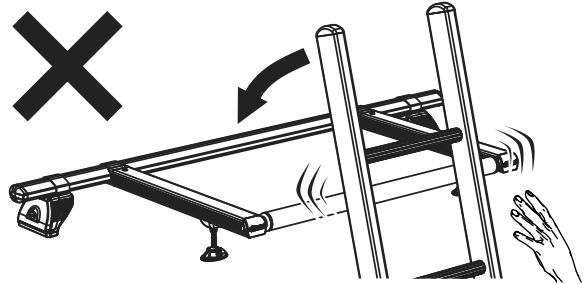
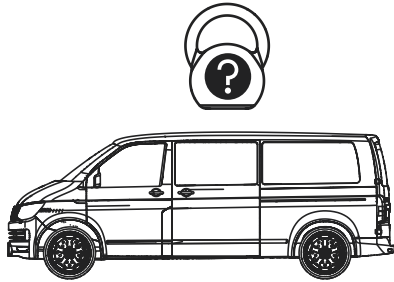
CITY CRASH (✓)

According to ISO/ PAS 11154:2006

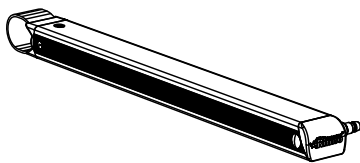
Max
50kg/110lbs



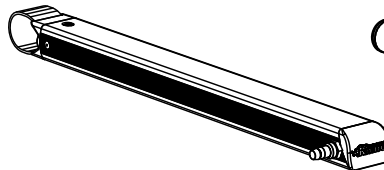
Kamm Rear Roller
1.6kg/3.5lbs



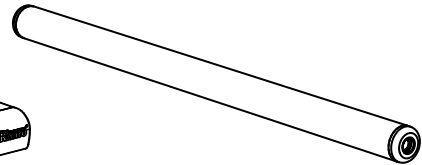
Kamm Rear Roller



SA414 x 1

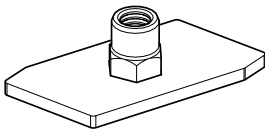


SA415 x 1

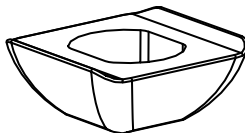


SA403 x 1

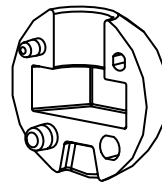
Fitting Kit



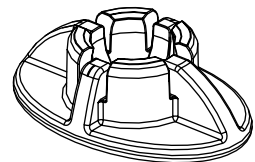
SA527 x 2



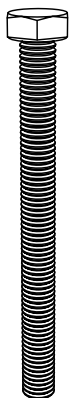
PS202 x 2



PS203 x 4



PS204 x 2

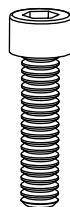


FS316
(M8 x 110) x 2

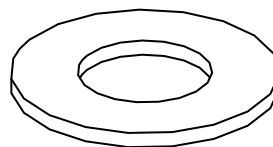
FS109
(M8 x 90) x 2

FS107
(M8 x 75) x 2

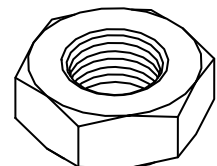
FS105
(M8 x 55) x 2



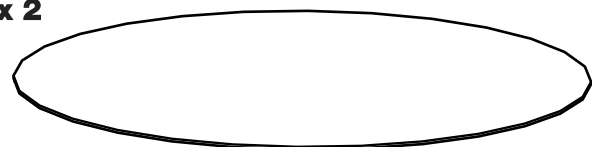
FS103
(M6 x 25) x 2



FW021 (M8) x 2

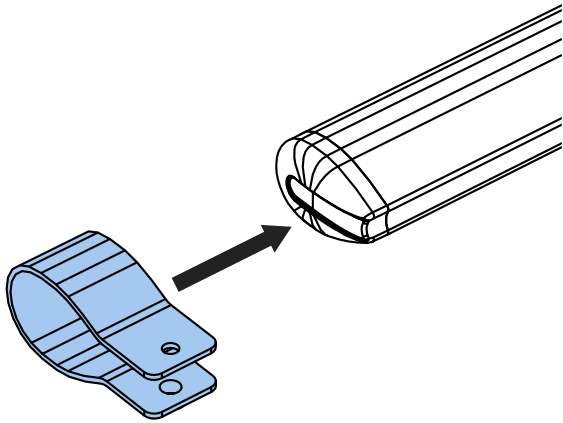


FN039 (M8) x 4

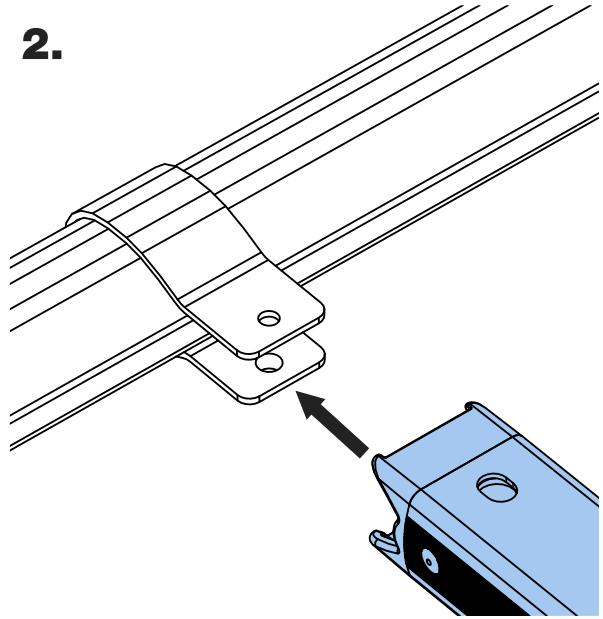


LA074 x 2

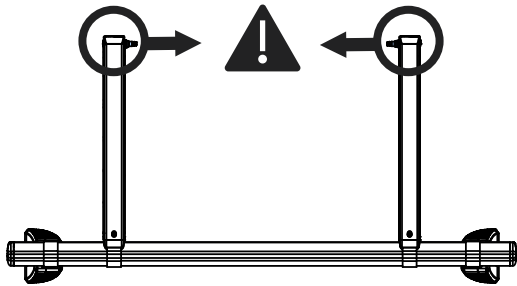
1.



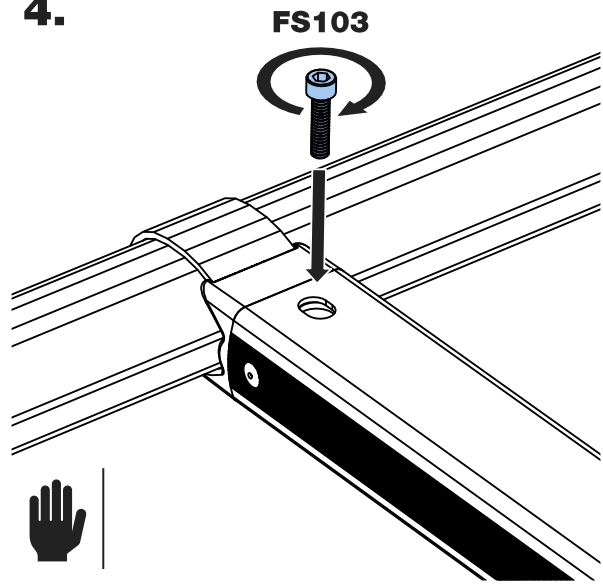
2.



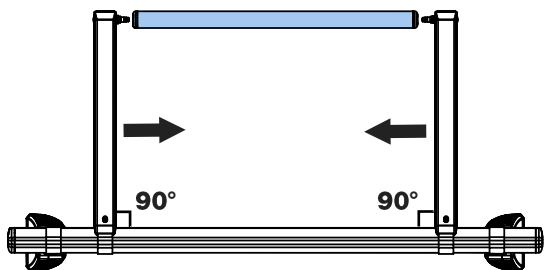
3.



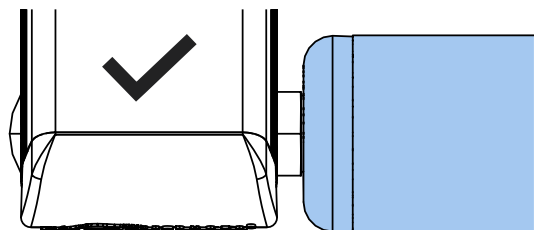
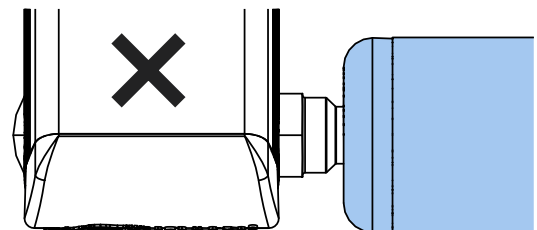
4.



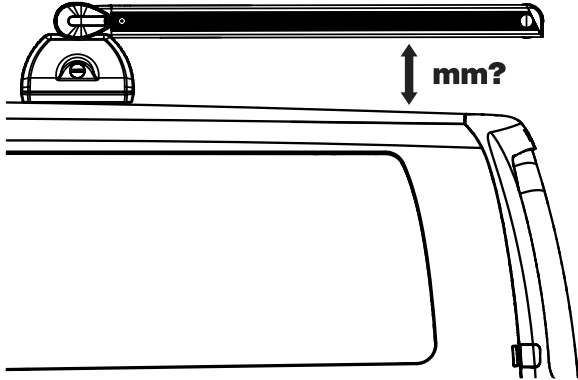
5.



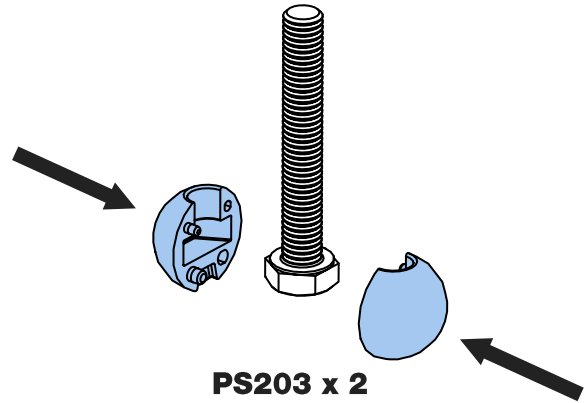
6.



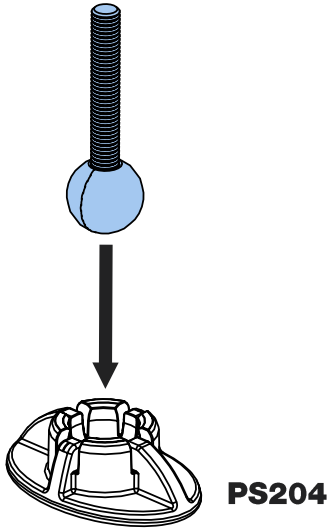
- 7.**
 37-52mm = FS105
 57-72mm = FS107
 73-88mm = FS109
 93-108mm = FS316



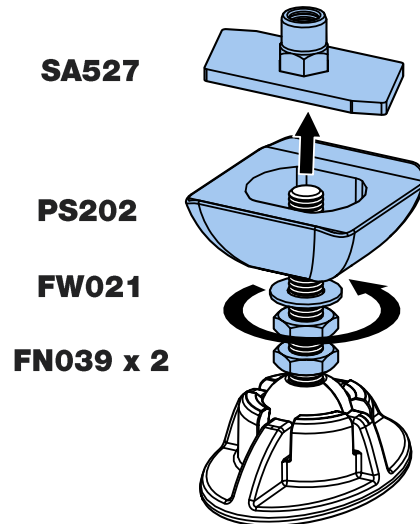
- 8.**
 FS105/FS107/FS109/FS316



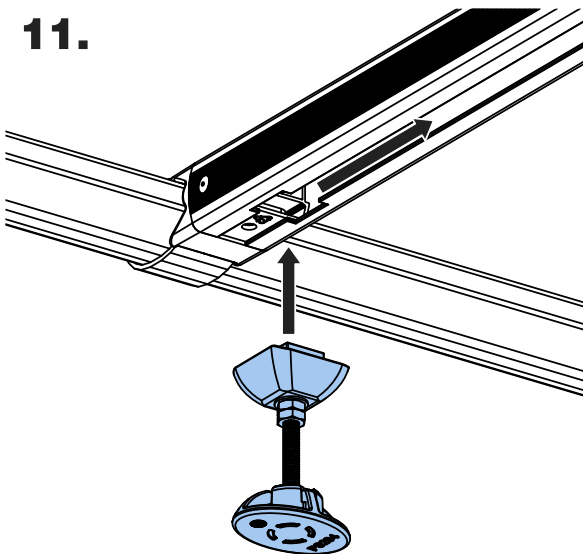
- 9.**



- 10.**



- 11.**



- 12.**

