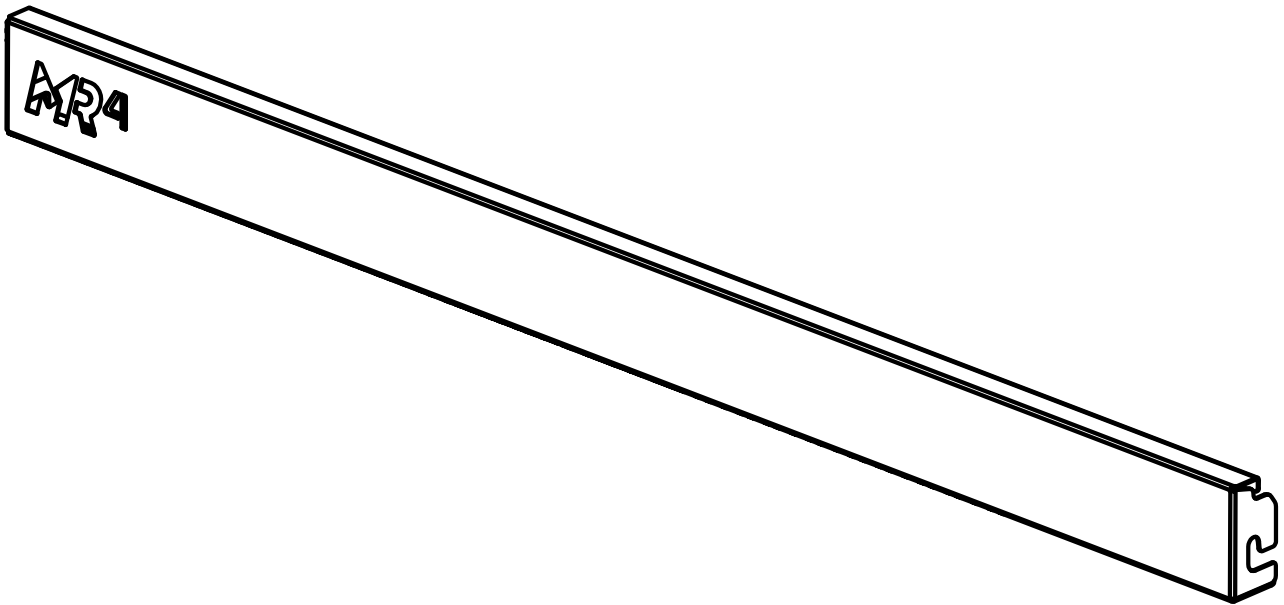
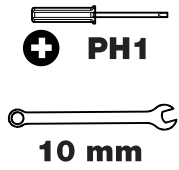


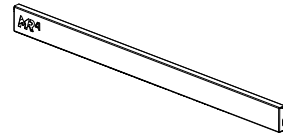
KPFI MR4 Instructions



Assembly
≈10 min

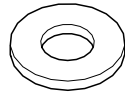


MR4 – Kick Plate

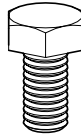


MSXXXX
x1

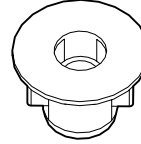
Fitting Kit



FW001
(M6 x 2)



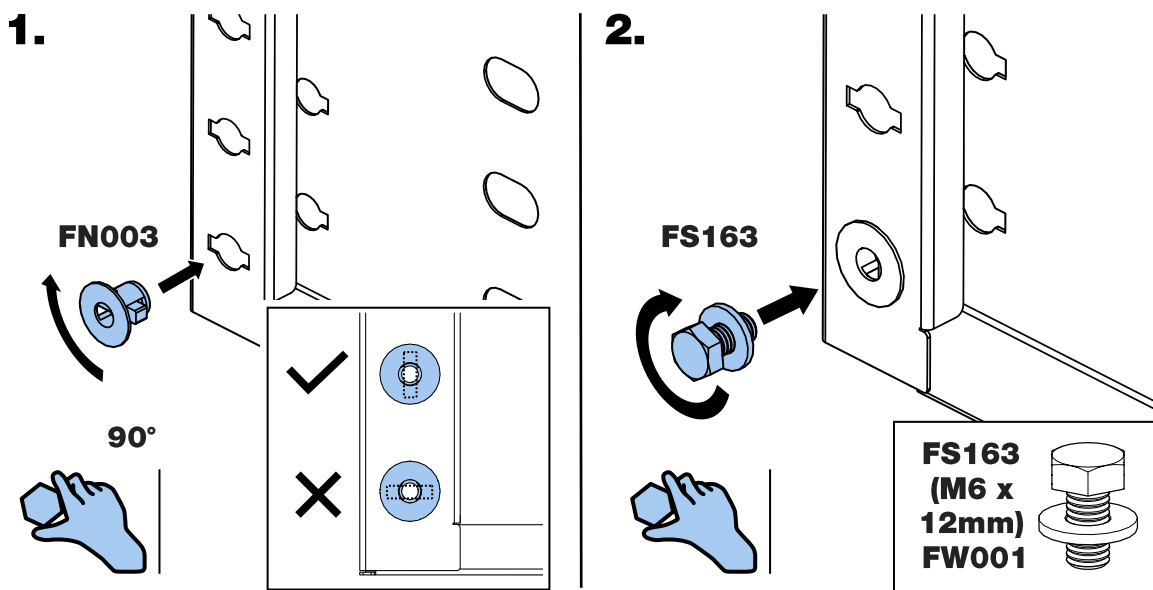
FS163
(M6 x 12mm)
x 2



FN003
(M6) x 2

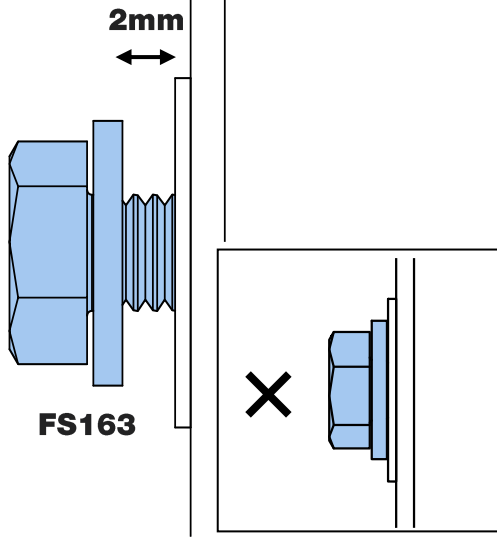


Part No.	Weight (kg/lbs)	KP08	KP09	KP10	KP12	KP14	KP16
MS1751	0.60 / 1.32	✓					
MS1752	0.68 / 1.50		✓				
MS1753	0.75 / 1.65			✓			
MS1754	0.89 / 1.96				✓		
MS1755	1.53 / 3.37					✓	
MS1756	1.75 / 3.86						✓

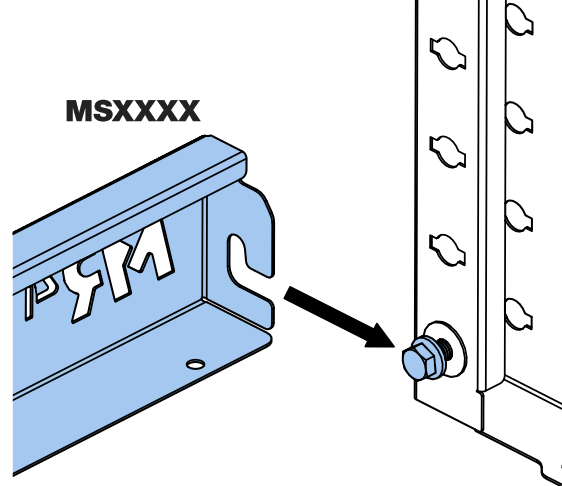


Before you drill! Double check the position of the racking unit and all bracketry, ensuring you have followed the instructions correctly.
Rhino Products Ltd will not accept liability for incorrect fitment.

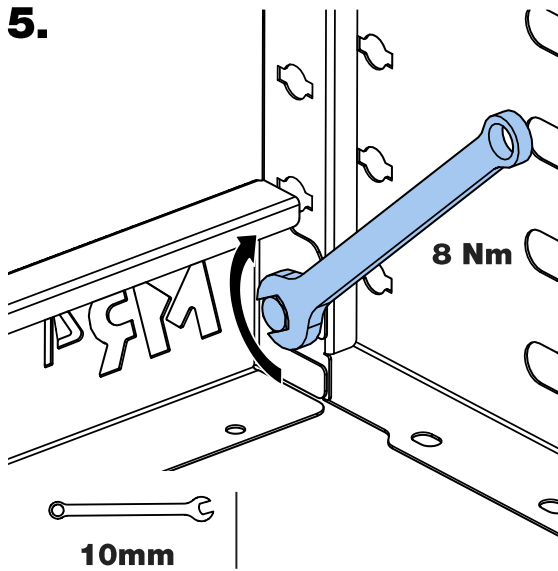
3.



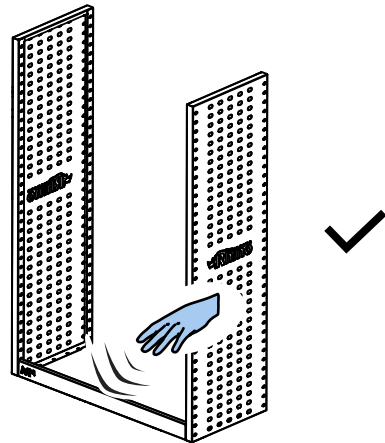
4.



5.



6.



Check every 3 months to ensure the fixings are secure.