

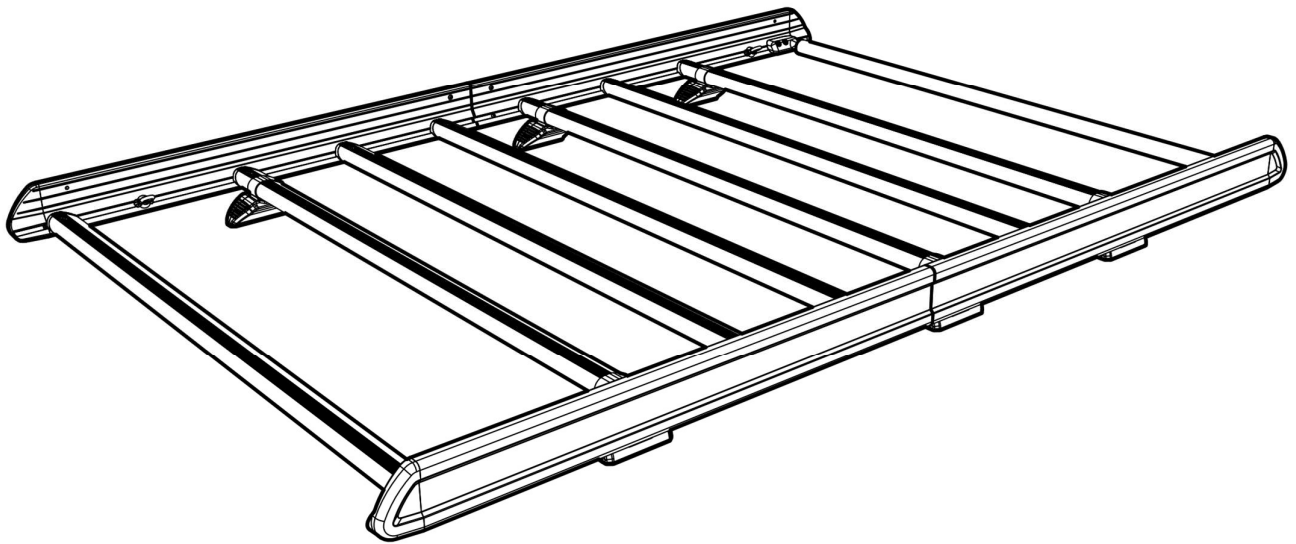
Issue:	Drawn By:	Checked By:	CRF No.:	Date:	Description:
a	SJ	KB	3609	21/10/25	First Issue
b					
c					
d					

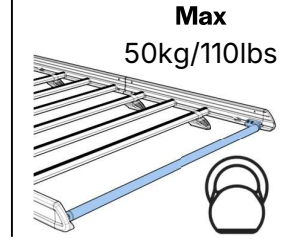


TB3HKE

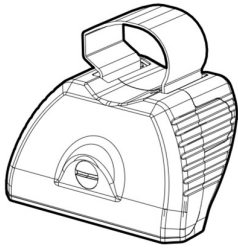
KammEdge.

Instructions

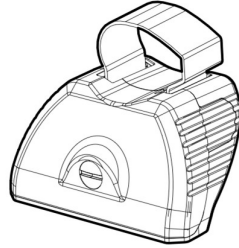




KammEdge.



SA397U x 3



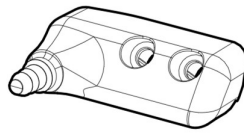
SA398U x 3



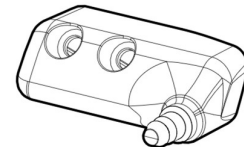
SA428/SA466 x 6



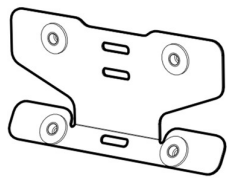
SA436 x 1



PS519 x 1



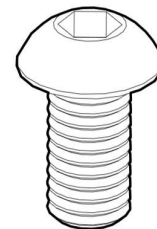
PS520 x 1



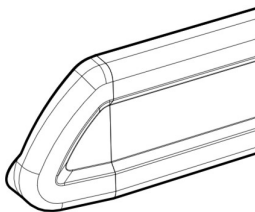
SA610 x 2



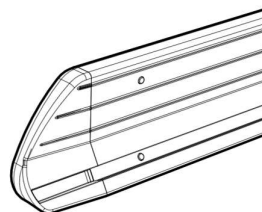
PS635 x 2



**FS323
(M6 x 16) x 8**



LSF (L) x 2

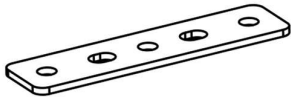


LSF (R) x 2

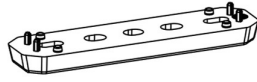


**C04 x 6
*optional upgrade***

Fitting Kit



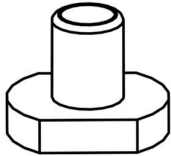
PS023 x 6



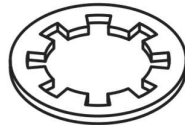
PS178 x 4



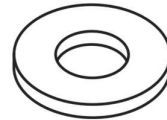
FS059
(M8 x 25) x 16



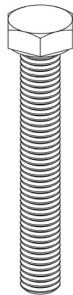
FN085 x 16



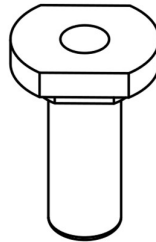
FW009 (M8) x 6



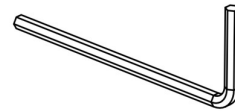
FW002 (M8) x 6



FS101
(M8 x 45) x 6



FN035 (M8) x 6



FT05 x 1



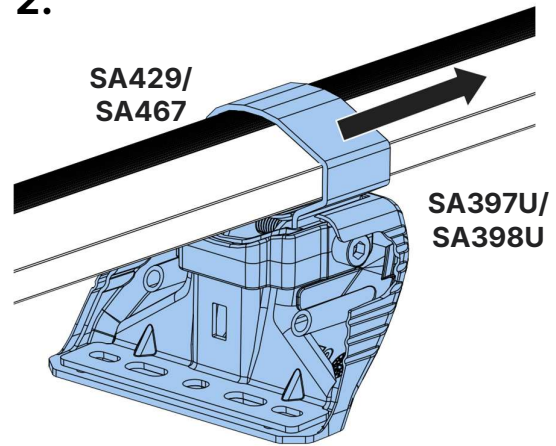
FT01 x 1



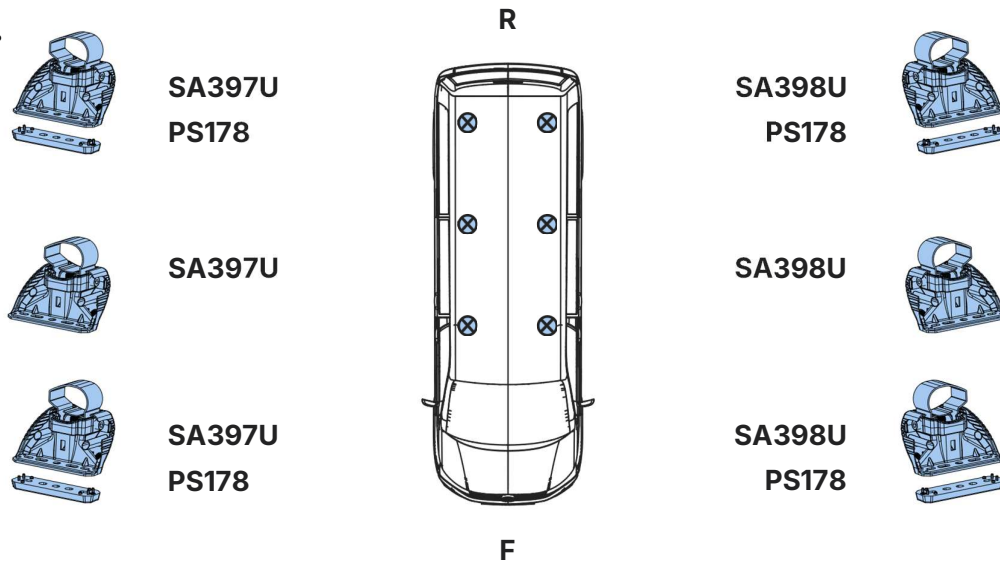
1.



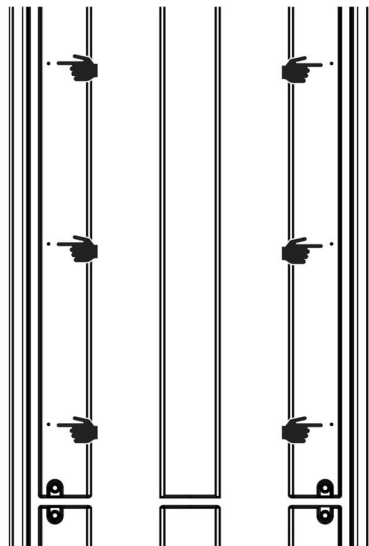
2.



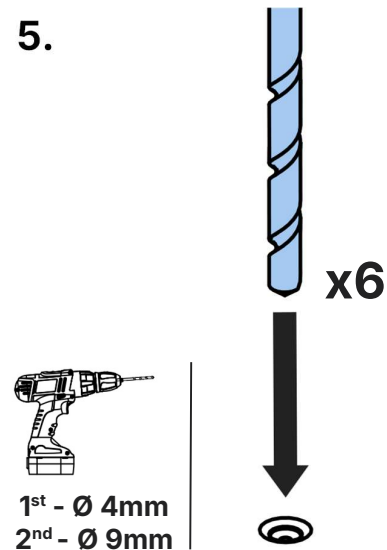
3.

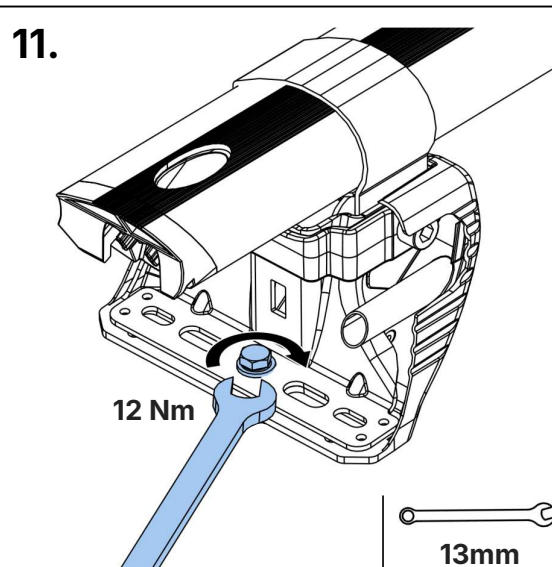
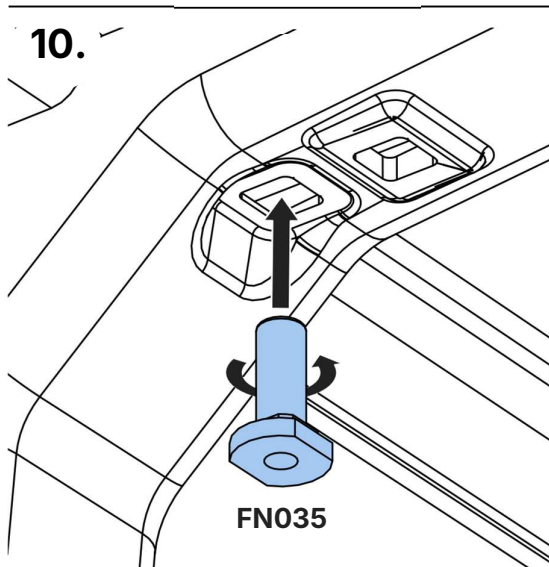
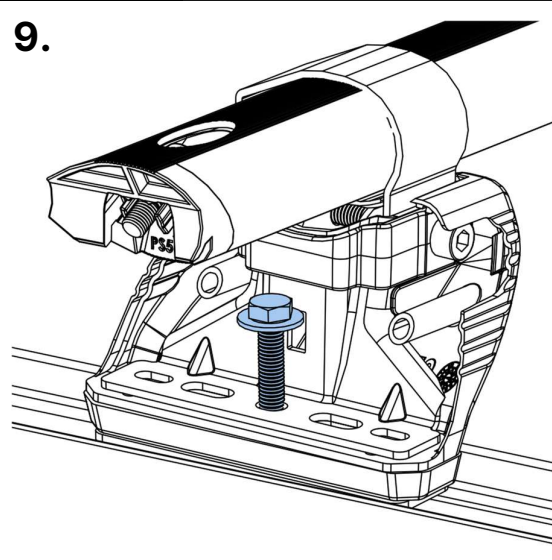
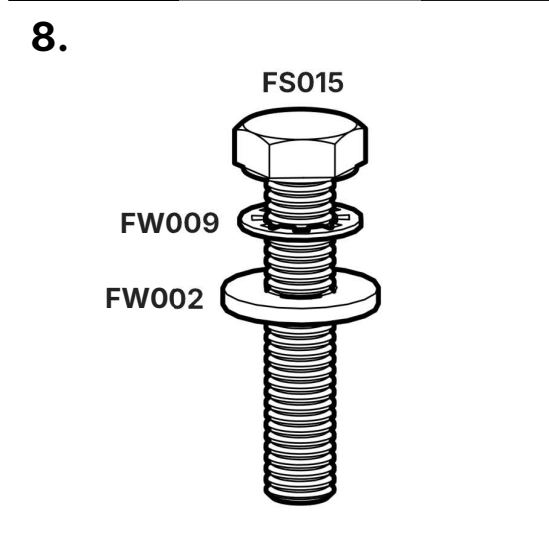
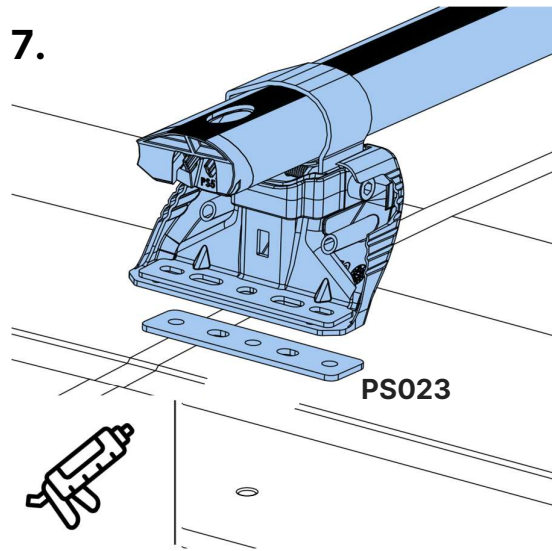
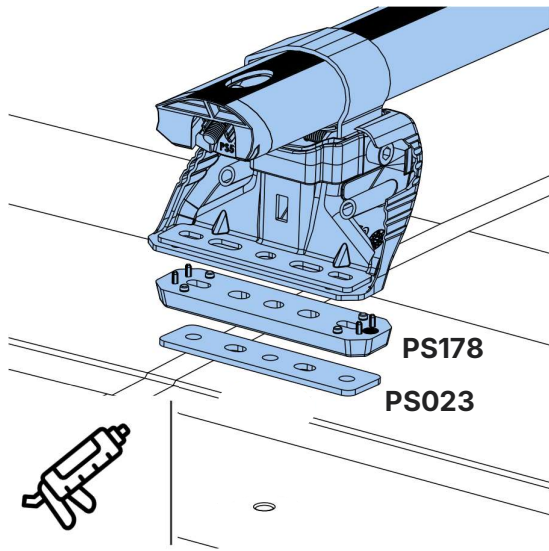


4.

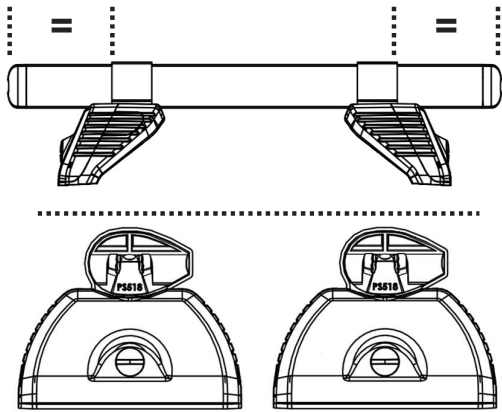


5.

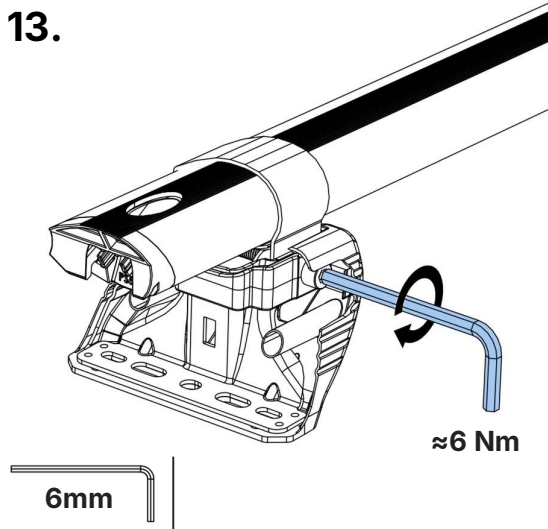




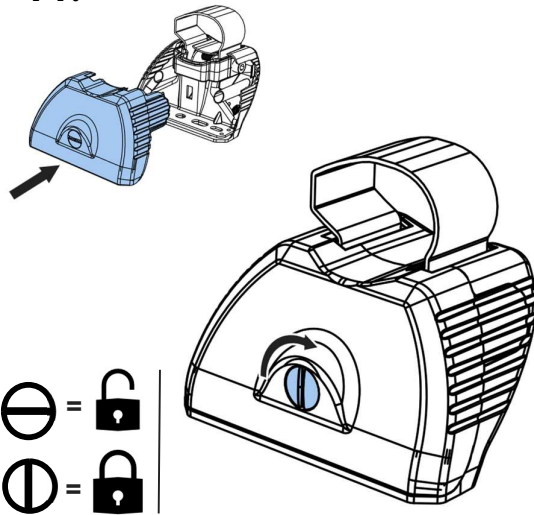
12.



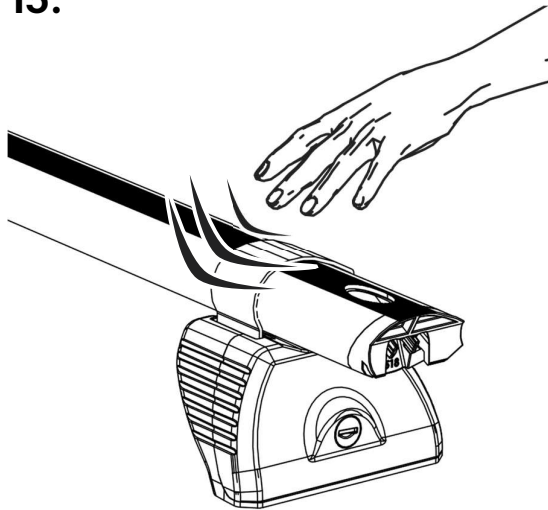
13.

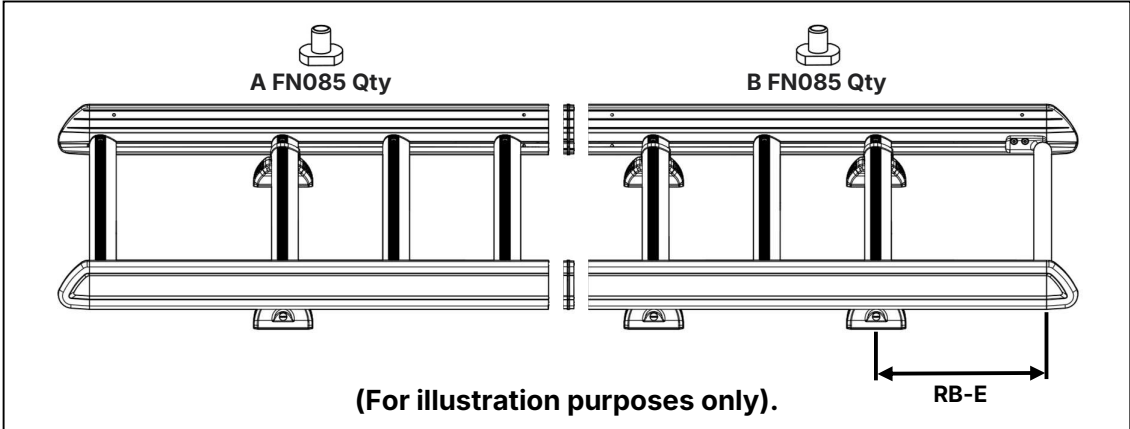



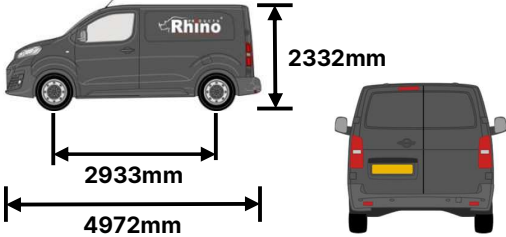
14.


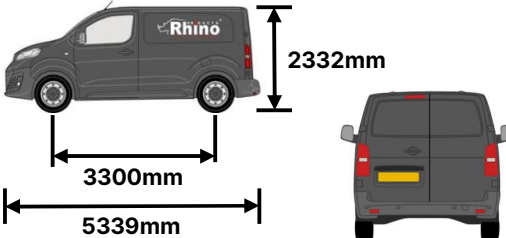


15.

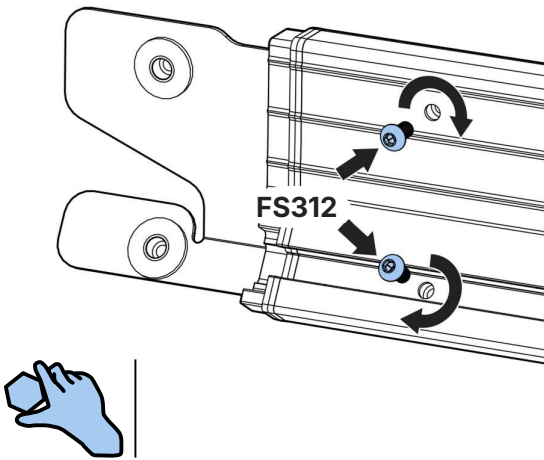




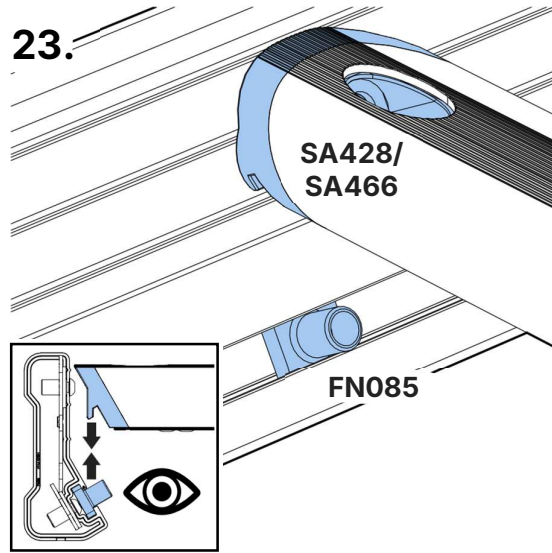
L619/LB619- Custom 2014-, L1-H2 (Twin)		
<p>Max Load = 150kg/330lbs</p>  <p>L619/LB619 = 18kg/40lbs</p>		
A FN085 Qty	B FN085 Qty	Rear Bar – End (mm)
4	4	497

L620/LB620- Custom 2014-, L2-H2 (Twin)		
<p>Max Load = 150kg/330lbs</p>  <p>L620/LB620 = 19kg/42lbs</p>		
A FN085 Qty	B FN085 Qty	Rear Bar – End (mm)
3	5	477

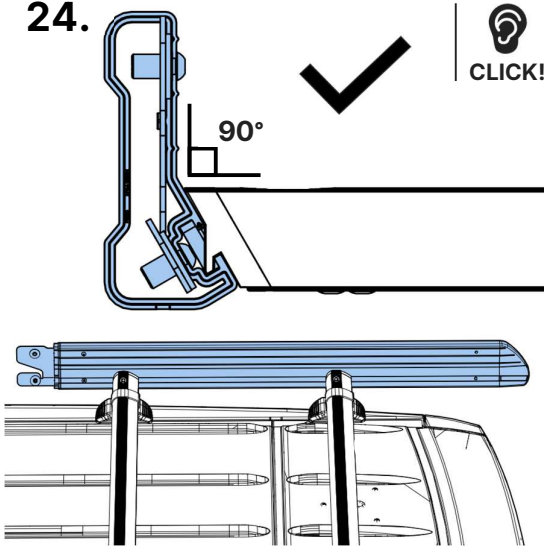
22.



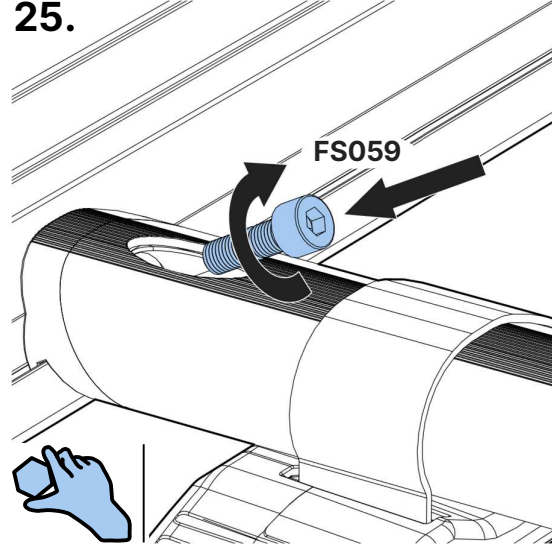
23.



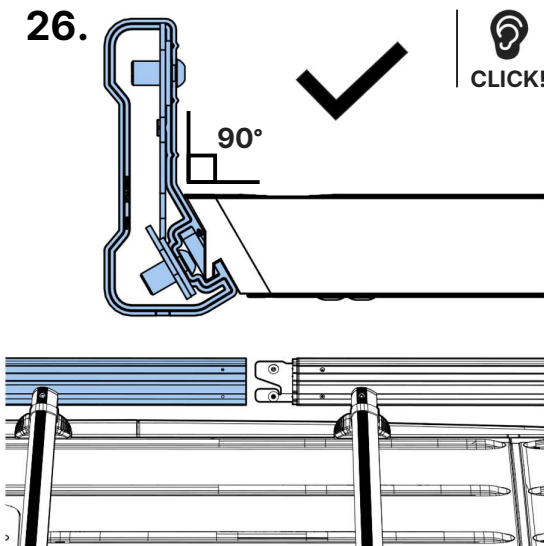
24.



25.



26.



27.

