


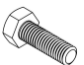
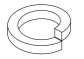












# VECTA BAR™ Fitting Instructions

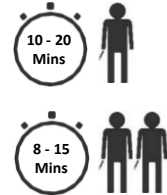
3 Bar Roof Kit – Citroen Dispatch, Peugeot Expert & Toyota ProAce (L2H1) [2016 onwards], Vauxhall Vivaro L1 [2019 onwards]

3 Bar Kit: JC3VFK			
<b>Roof Bar</b>		<b>QTY</b> 3	<b>Checked</b> <input type="checkbox"/> <small>Total Weight: 5.1Kg</small>
<b>Foot Pack Kit</b>			
<b>Item</b>		<b>QTY</b>	
04 – NS1		1	<input type="checkbox"/>
04 – OS1		1	<input type="checkbox"/>
04 – NS5		1	<input type="checkbox"/>
04 – OS5		1	<input type="checkbox"/>
04 – NS3		1	<input type="checkbox"/>
04 – OS3		1	<input type="checkbox"/>
<b>Rubber 4</b>		6	<input type="checkbox"/>
<b>M8 x 20</b>		6	<input type="checkbox"/>
<b>M8 spring w</b>		6	<input type="checkbox"/>
<b>M8 x 25</b>		6	<input type="checkbox"/>
<b>M8 bracket 35mm</b>		6	<input type="checkbox"/>
<b>FOOT PACK COMPLETED BY:</b> _____			

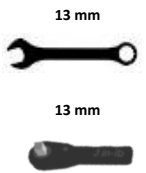
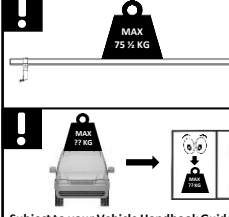
Foot Pack Weight: 1.757Kg

Top Hat Kit			
<b>Item per bar</b>		<b>QTY per bar</b>	<b>Number of TH Kits per bar:</b>
Top Hat 1		2	<input type="checkbox"/>
M8 x 80		2	<b>TH KIT COMPLETED BY:</b> _____
M8 x 20		4	
M8		2	
<b>TH Kit Weight: 0.29 Kg (per bar)</b>			

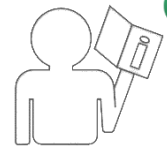
Load Stop Kit			
<b>Item</b>		<b>QTY</b>	<b>Checked</b>
Load stop		4	<input type="checkbox"/>
Crown		4	<input type="checkbox"/>
M6 x 40		4	<input type="checkbox"/>
Spanner		1	<input type="checkbox"/>
<b>LOAD STOP KIT COMPLETED BY:</b> _____			
<b>LS Kit Weight: 0.38Kg</b>			



All times are approximate from Hubb Systems testing and kit dependant



Subject to your Vehicle Handbook Guidelines

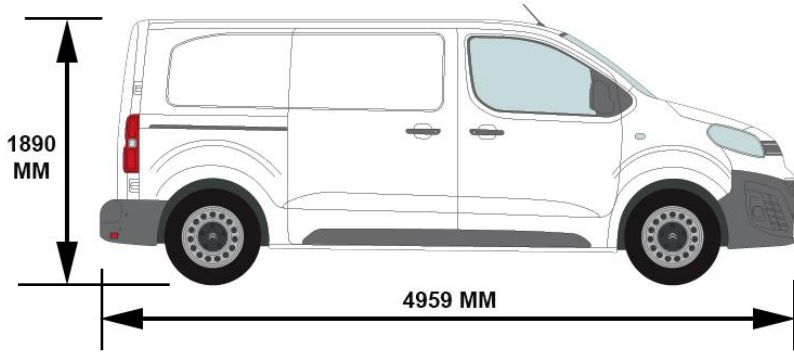


Please follow these instructions carefully and thoroughly to ensure that your product functions correctly

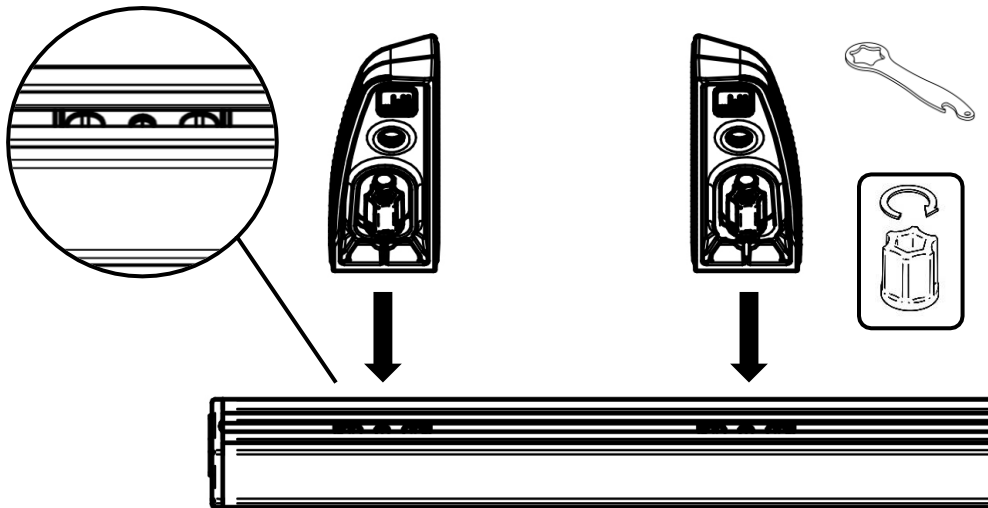
**DATE PACKED:** \_\_\_\_\_

**ORDER PACKED BY:** \_\_\_\_\_


Vehicle:	Wheel Base:	Roof Height:	Rear Door:	
Citroen Dispatch: 2016 – present	M/Standard/Medium (L2)	Low (H1)	Twin	
Peugeot Expert: 2016 – present				
Toyota ProAce 2016 – present				
Vauxhall Vivaro 2019 – Present	L1	H1	Twin	




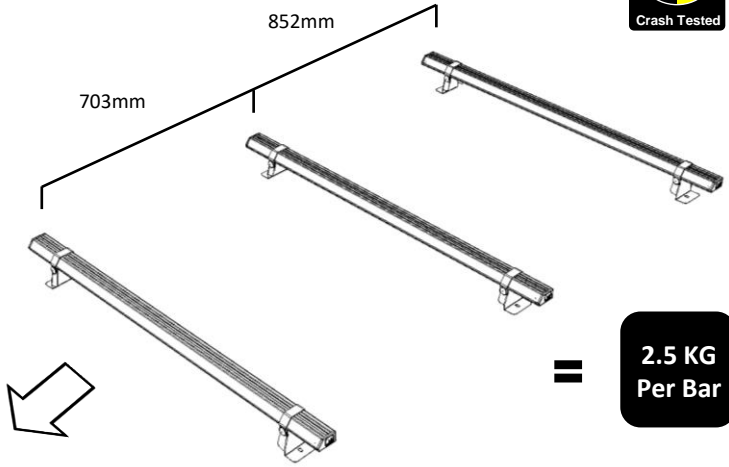
**Note:** This product fits the vehicle(s) shown



**!** Check leg numbers 04-XX



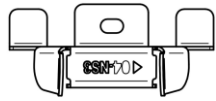




**= 2.5 KG Per Bar**

Note – Diagram shows the distance between centre points of Vecta Bar's T – Track specific to van and bar option

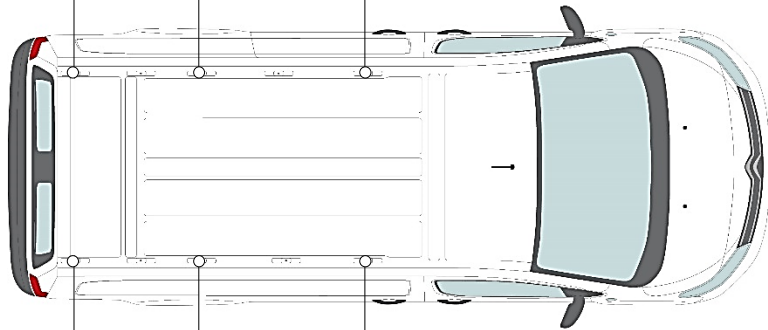
1



04-NS3



04-NS5



04-OS1

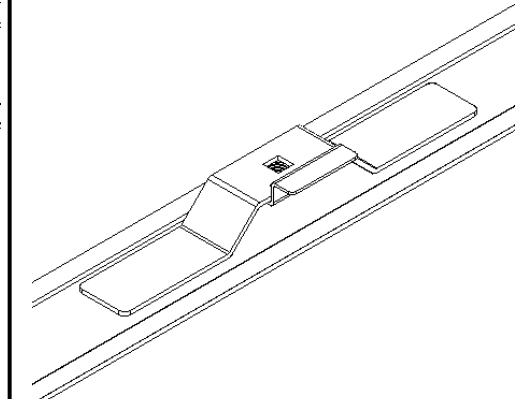
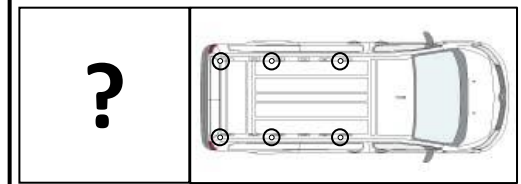
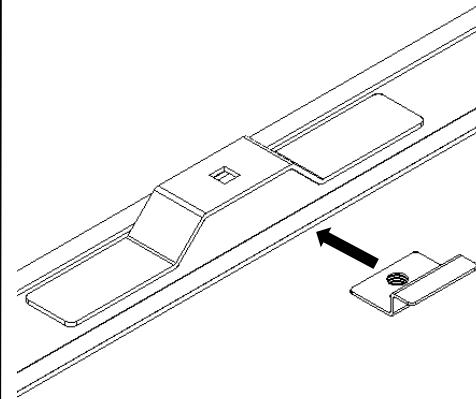
04-OS3

04-OS5

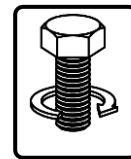


2

Check leg numbers **04-XX**

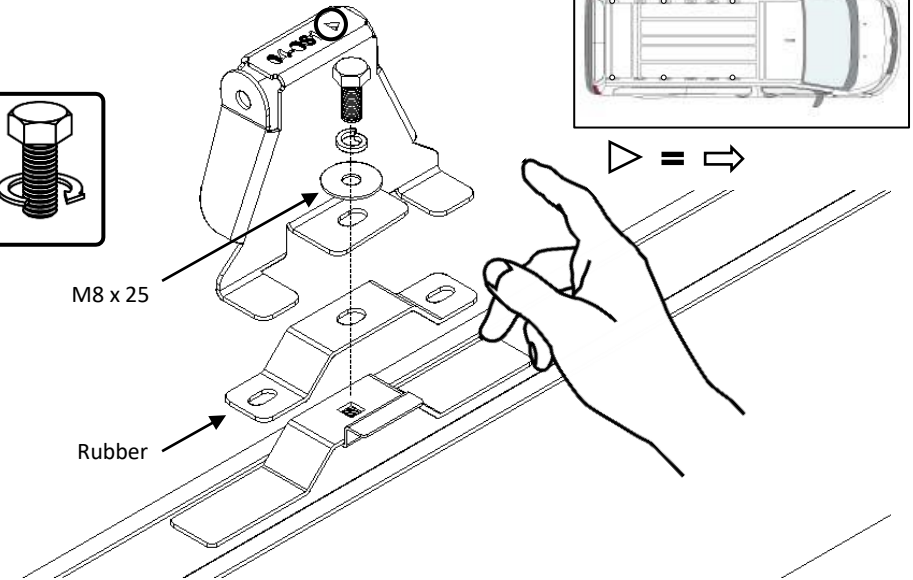


3



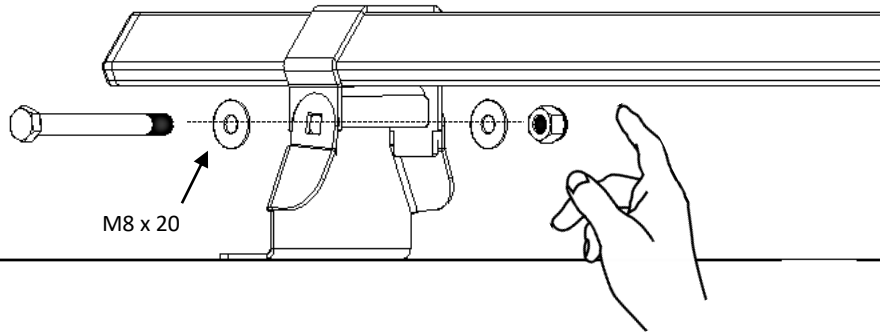
M8 x 25

Rubber

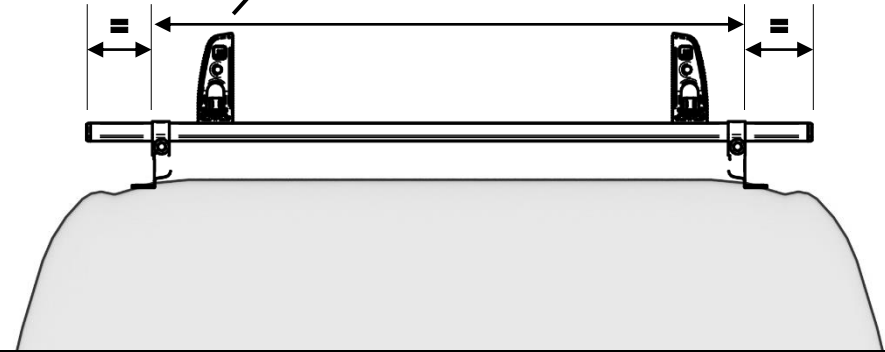
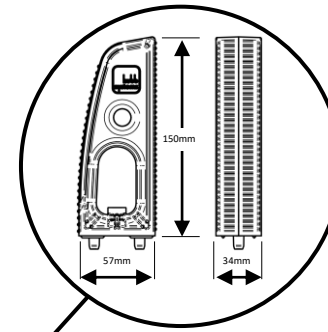


4

13mm (M8)



5



6



13mm (M8)



13mm (M8)

