



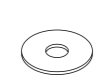







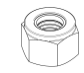






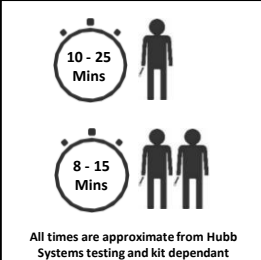
# VECTA BAR™ Fitting Instructions

## 4 Bar Roof Kit – Citroen Relay, Fiat Ducato & Peugeot Boxer (All) [2006 onwards]

4 Bar Kit: IA4VFK			
<b>Roof Bar</b> HS06-47		<b>QTY</b> 4	<b>Checked</b> <input type="checkbox"/> Total Weight: 7.976 Kg
<b>Foot Pack Kit</b>		<b>QTY</b>	<b>Checked</b>
Item		4	<input type="checkbox"/>
06 – NS		4	<input type="checkbox"/>
06 – OS		8	<input type="checkbox"/>
M8 x 20		8	<input type="checkbox"/>
M8 x 20		16	<input type="checkbox"/>
M8		8	<input type="checkbox"/>
M6 x 20		16	<input type="checkbox"/>
M6		16	<input type="checkbox"/>
<b>FOOT PACK COMPLETED BY:</b> _____		Foot Pack Weight: 0.784 Kg	

<b>Top Hat Kit</b>			
Item per bar		<b>QTY per bar</b>	Number of TH Kits per bar:
Top Hat 1		2	<input type="text"/>
M8 x 80		2	<b>TH KIT COMPLETED BY:</b> _____
M8 x 20		4	
M8		2	
		TH Kit Weight: 0.29 Kg (per bar)	

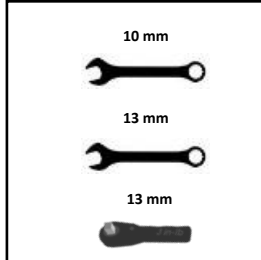
<b>Load Stop Kit</b>			
Item		<b>QTY</b>	<b>Checked</b>
Load stop		4	<input type="checkbox"/>
Crown		4	<input type="checkbox"/>
M6 x 40		4	<input type="checkbox"/>
Spanner		1	<input type="checkbox"/>
<b>LOAD STOP KIT COMPLETED BY:</b> _____		LS Kit Weight: 0.38Kg	



10 - 25 Mins

8 - 15 Mins

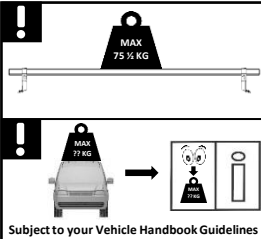
All times are approximate from Hubb Systems testing and kit dependant



10 mm

13 mm


13 mm



MAX 75 1/2 KG

MAX 77 KG

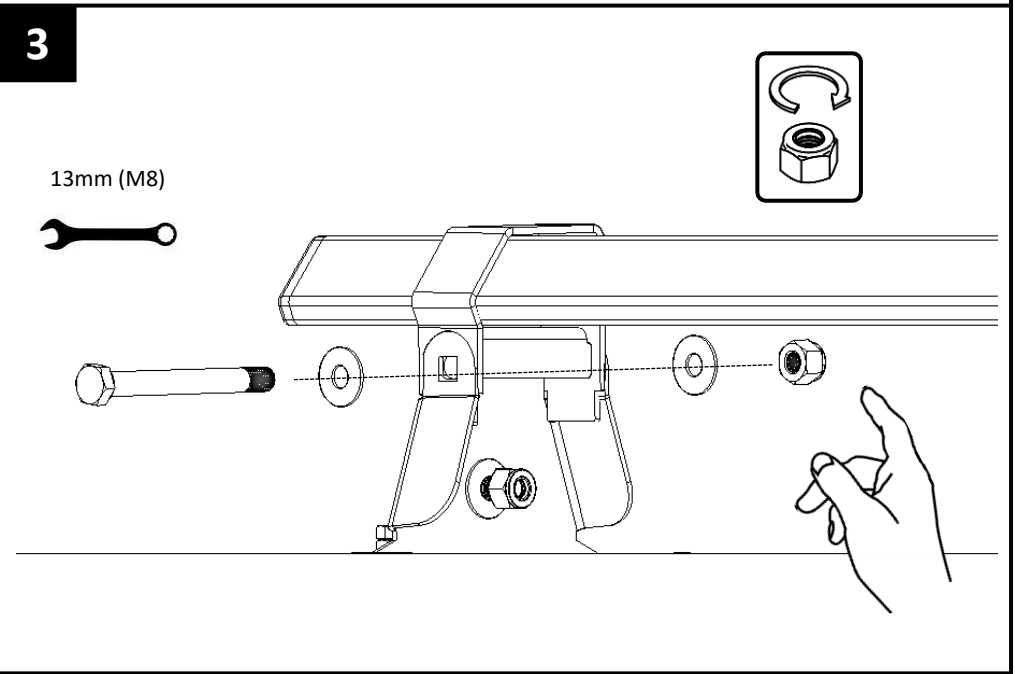
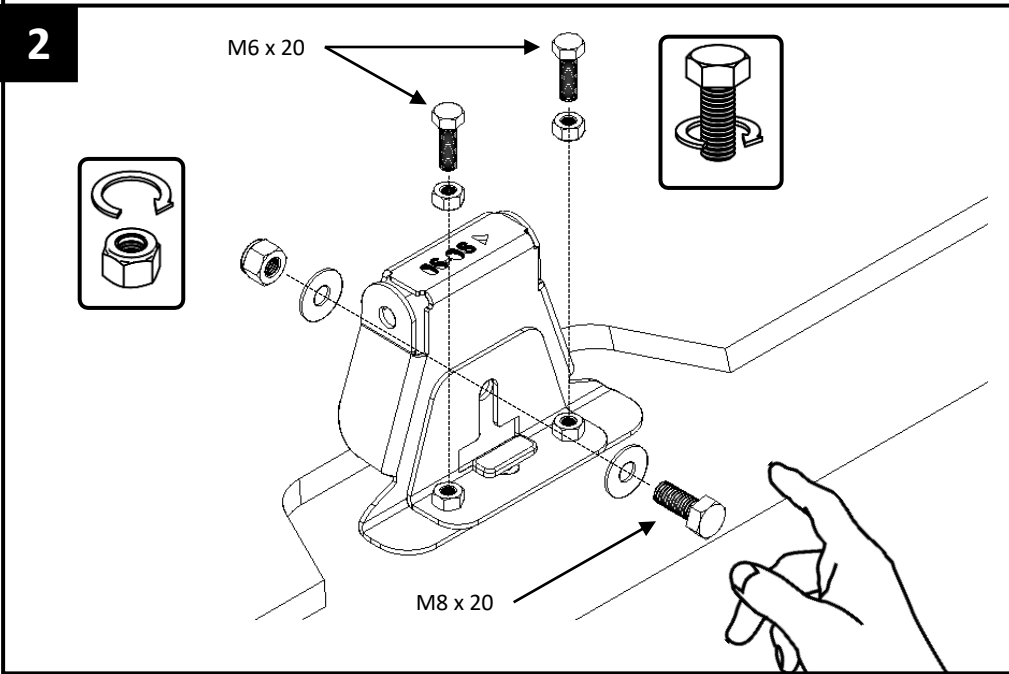
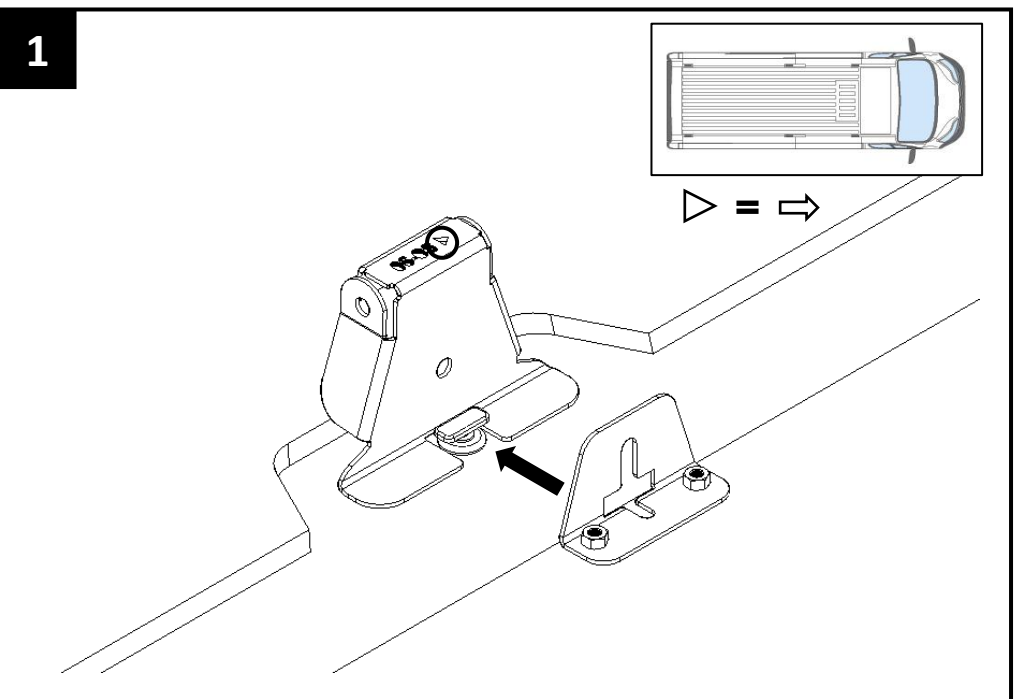
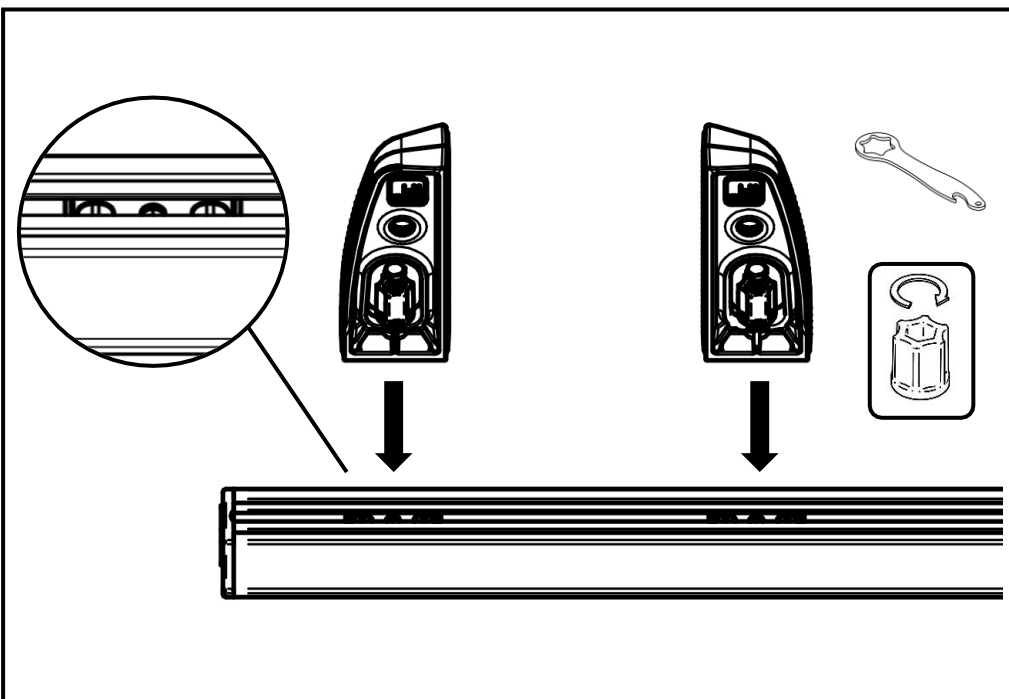
Subject to your Vehicle Handbook Guidelines



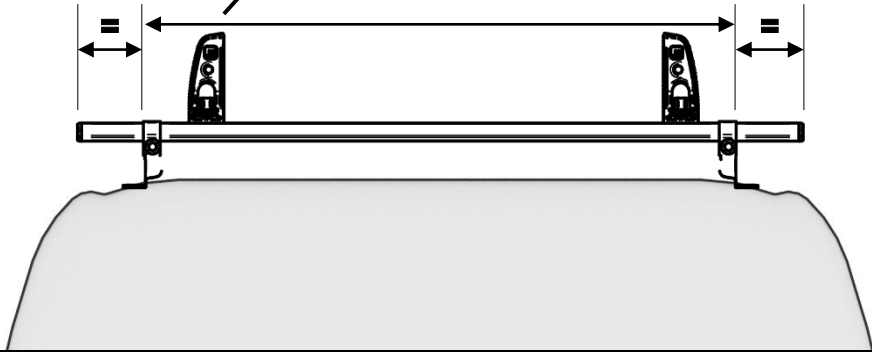
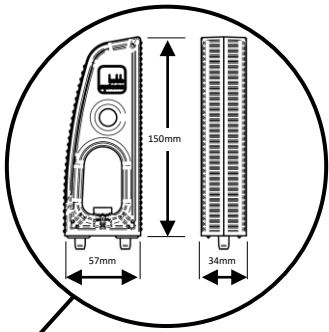
Please follow these instructions carefully and thoroughly to ensure that your product functions correctly

**DATE PACKED:**  
\_\_\_\_\_

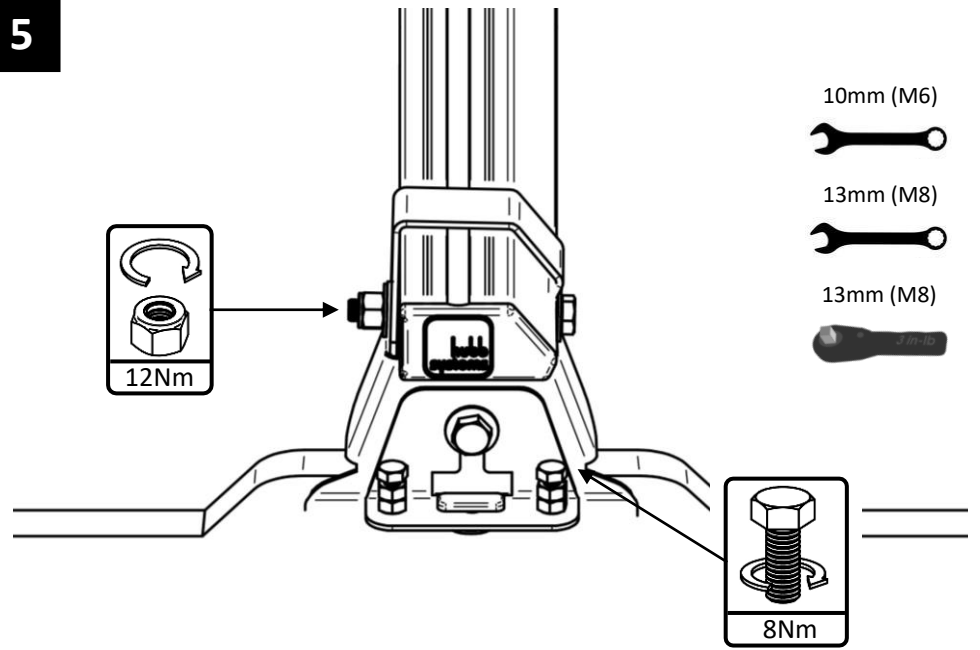
**ORDER PACKED BY:**  
\_\_\_\_\_



4



5



6

