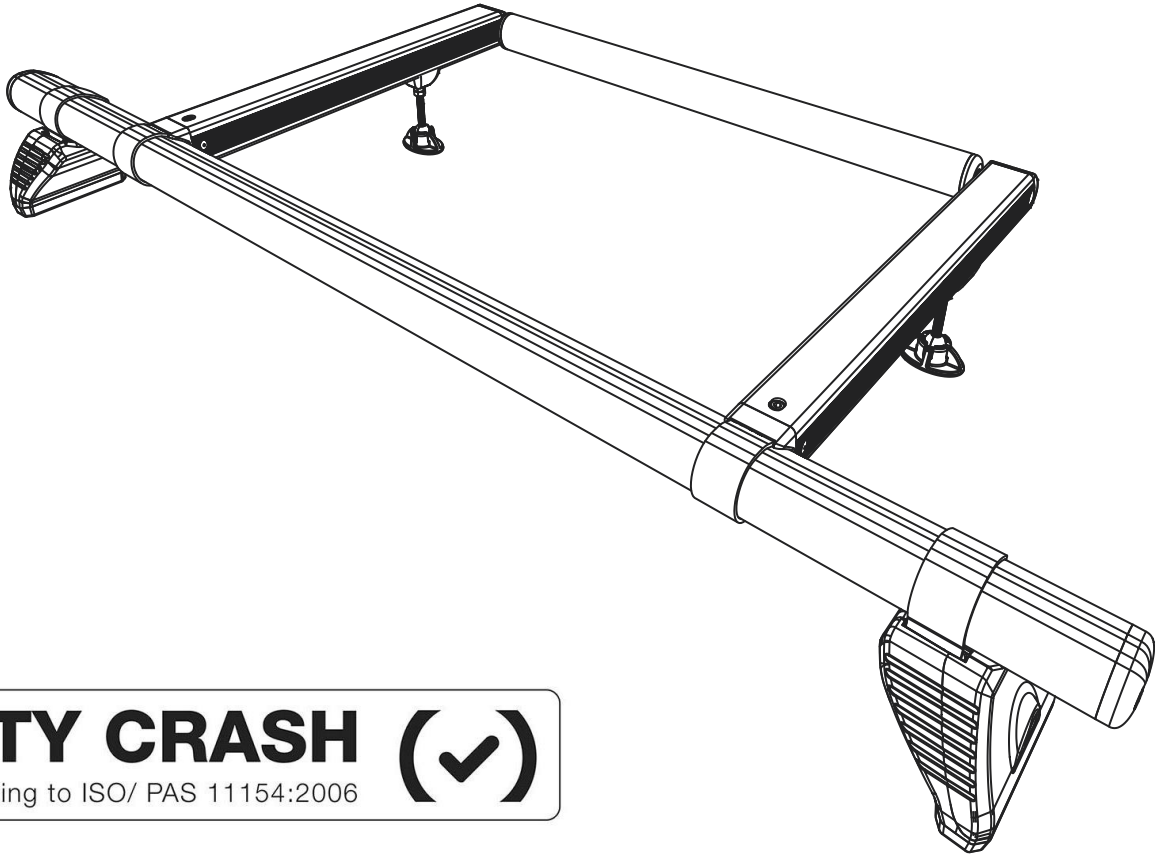


ISSUE:	DRAWN BY:	CHECKED BY:	CRF No:	DATE:	DESCRIPTION:
a	SJ	KB	2680	06/04/22	First Issue
b	SJ	KB	2753	18/07/22	Visual Updates
c	YZL	KB	3286	25/06/24	Replaced PS201 with SA527
d	SJ	KB	3415	31/01/25	Added FS107 and FS316
e					
f					
g					
h					
i					
j					
k					
l					
m					

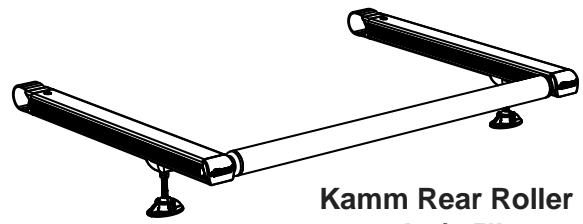
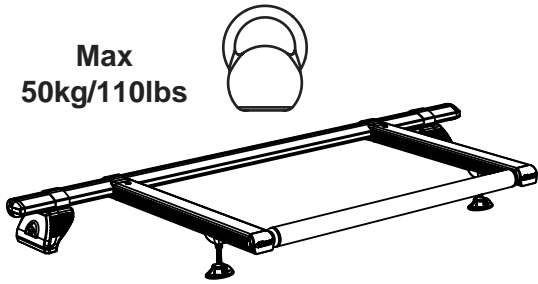
KR25 KammRoller Instructions



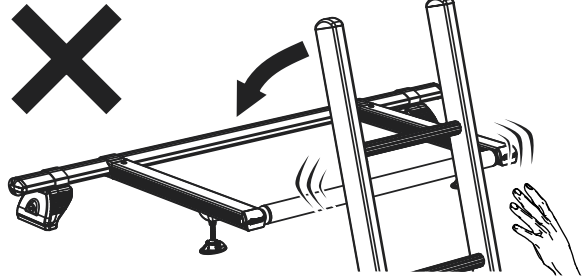
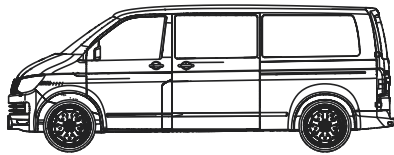
CITY CRASH (✓)

According to ISO/ PAS 11154:2006

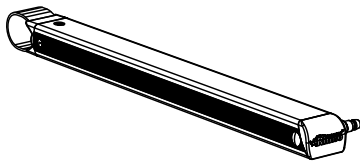
Max
50kg/110lbs



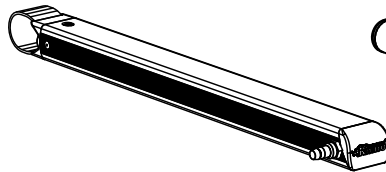
Kamm Rear Roller
1.6kg/3.5lbs



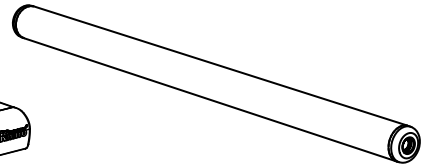
Kamm Rear Roller



SA408/SA556 x 1

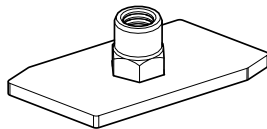


SA409/SA557 x 1

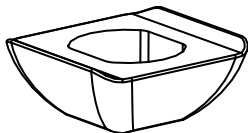


SA400 x 1

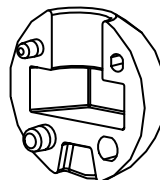
Fitting Kit



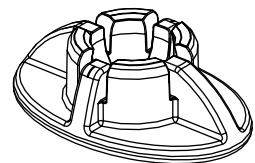
SA527 x 2



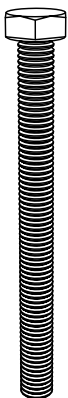
PS202 x 2



PS203 x 4



PS204 x 2

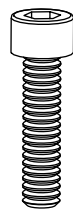


FS316
(M8 x 110) x 2

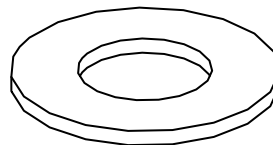
FS109
(M8 x 90) x 2

FS107
(M8 x 75) x 2

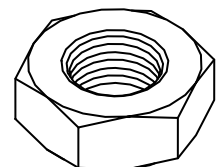
FS105
(M8 x 55) x 2



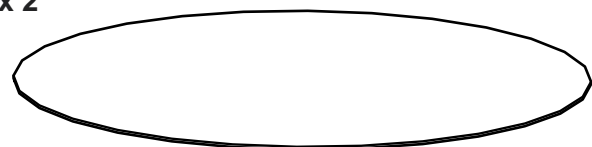
FS103
(M6 x 25) x 2



FW021 (M8) x 2

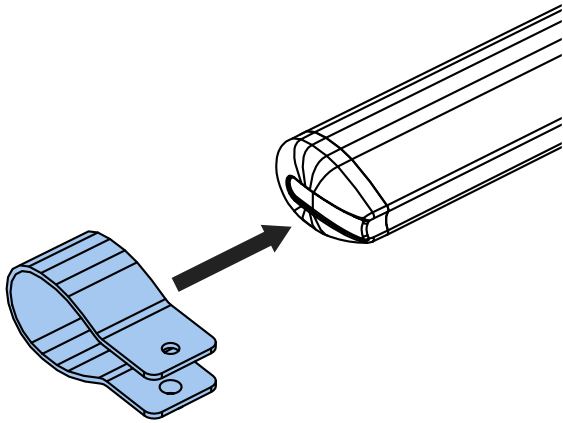


FN039 (M8) x 4

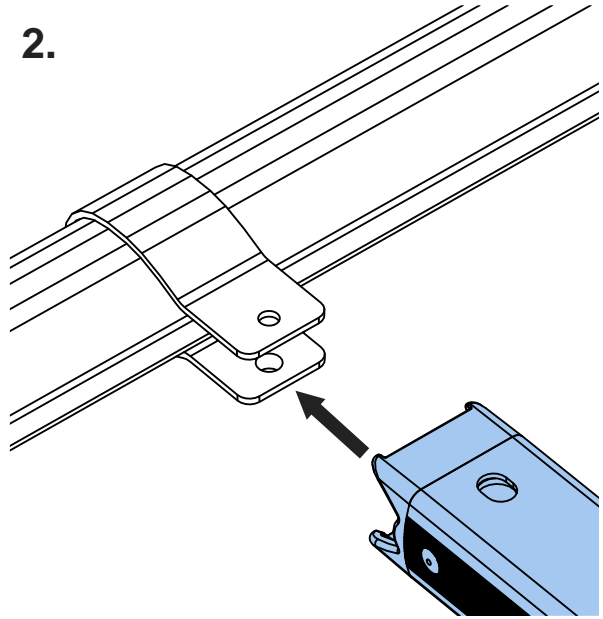


LA074 x 2

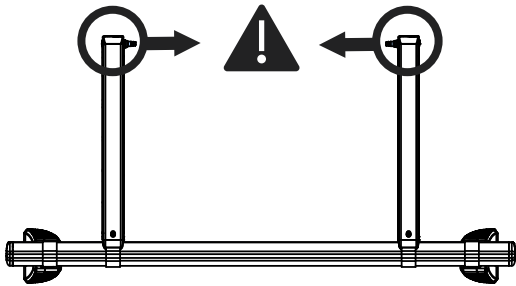
1.



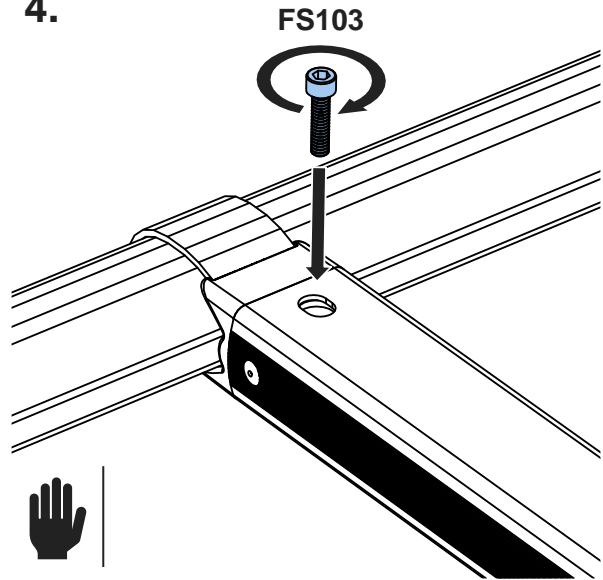
2.



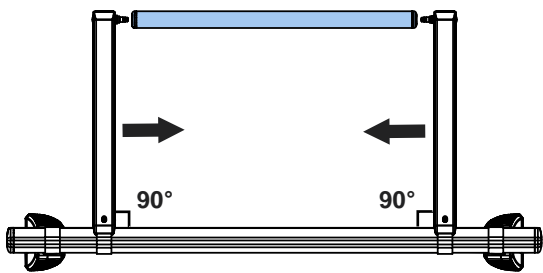
3.



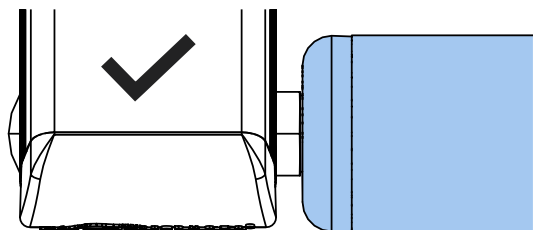
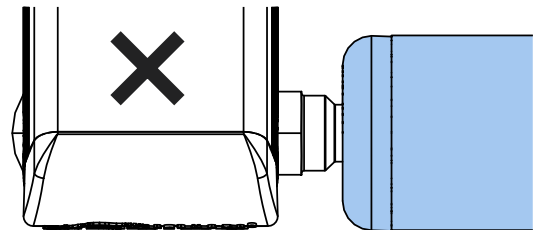
4.



5.

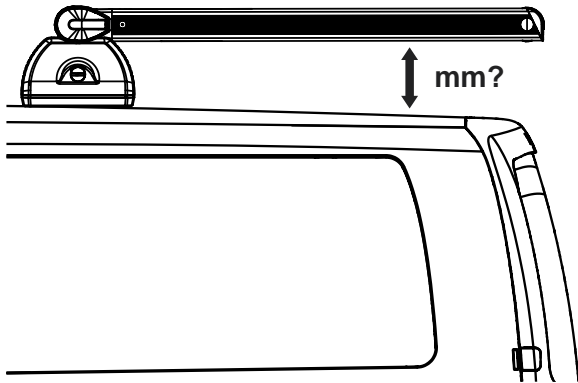


6.



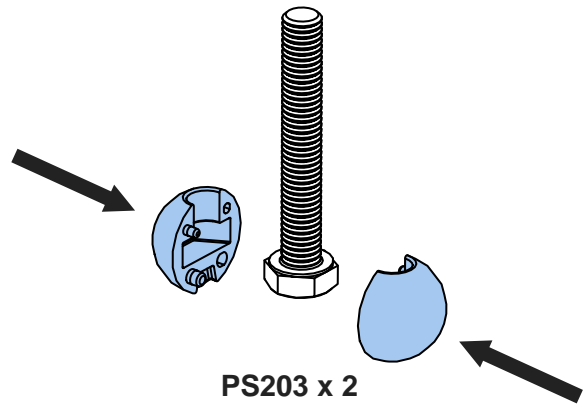
7.

37-52mm = FS105
57-72mm = FS107
73-88mm = FS109
93-108mm = FS316

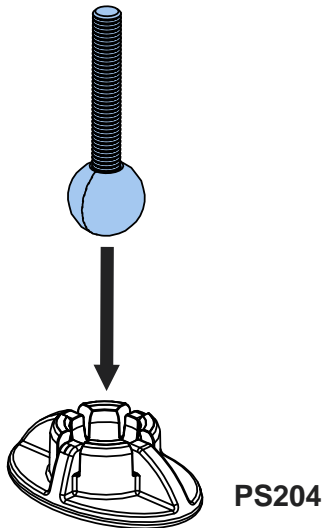


8.

FS105/FS107/FS109/FS316

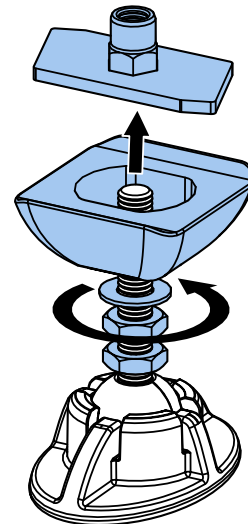


9.

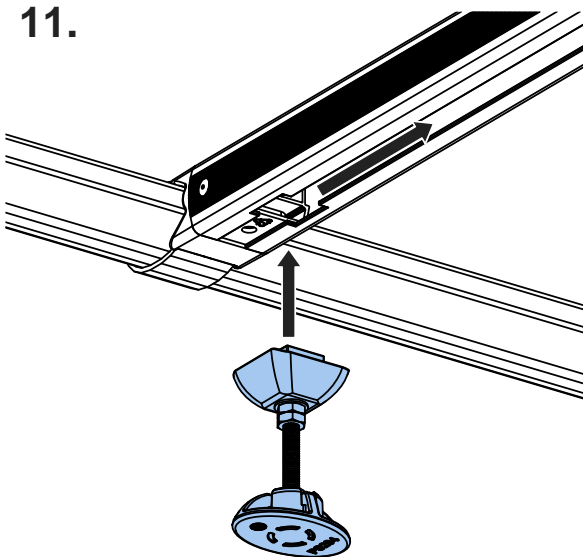


10.

SA527
PS202
FW021
FN039 x 2



11.



12.

